



Terminals & Splices > Splices



Splice Product Type: **SolderSleeve One-Step Wire Terminator**

Terminal & Splice Type: **Splice**

Wire Size: **6 – 4 mm<sup>2</sup>**

Sealable: **No**

## Features

### Product Type Features

Discrete Wire Type	Stranded
Temperature Indicator	Yes
Temperature Indicator Type	Thermochromic
Splice Product Type	SolderSleeve One-Step Wire Terminator
Sealable	No
Splice Type	Thru Splice
Serrated	No
Splice Barrel Type	Open Barrel
Splice Wire/Cable Type	Copper, Tin-Plated
Insulated	Yes

### Configuration Features

Splice Capacity	1
-----------------	---

### Body Features

Insulation Sleeve Material	Polyolefin
Weight per Piece	7 g
Insulation Material	Heat Shrink Radiation-Crosslinked Modified Polyolefin
Splice Color	Yellow

### Contact Features

Terminal & Splice Type	Splice
------------------------	--------



### Termination Features

Termination Method	Solder
--------------------	--------

### Mechanical Attachment

Wire Insulation Support	Without
-------------------------	---------

### Dimensions

	.11 – .235 in
Wire Size	6100 – 19000 CMA
Splice Wire Insulation Diameter (Max)	6.1 mm[.235 in]
Splice Overall Length	42 mm[1.655 in]

### Usage Conditions

Insulation Requirement	Fully Insulated
Cable Temperature Rating	105 °C
Fluid Resistance	Splash Protection
Operating Temperature Range	-55 – 125 °C[-67 – 257 °F]

### Industry Standards

Government Qualified Splice	No
-----------------------------	----

### Packaging Features

Packaging Quantity	100
Splice Packaging Method	Package

### Other

Barrel Color	Yellow
--------------	--------

### Product Compliance

[For compliance documentation, visit the product page on TE.com>](#)

EU RoHS Directive 2011/65/EU	Not Compliant
EU ELV Directive 2000/53/EC	Not Compliant
China RoHS 2 Directive MIIT Order No 32, 2016	Restricted Materials Above Threshold
EU REACH Regulation (EC) No. 1907/2006	Current ECHA Candidate List: JAN 2021 (211) Candidate List Declared Against: JAN 2021 (211) SVHC > Threshold: Pb (32% in Solder) Cd (18% in Solder) <small>Article Safe Usage Statements:</small>



Use personal protective equipment as required. Do not eat, drink or smoke when using this product. Wash thoroughly after handling. Recycle if possible and dispose of the article by following all applicable governmental regulations relevant to your geographic location.

Halogen Content

BFR/CFR/PVC Free, but Br/Cl >900 ppm in other sources.

Solder Process Capability

Not applicable for solder process capability

Product Compliance Disclaimer

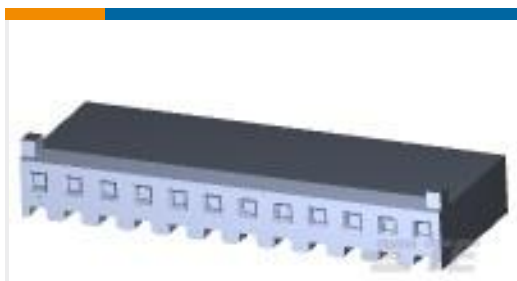
This information is provided based on reasonable inquiry of our suppliers and represents our current actual knowledge based on the information they provided. This information is subject to change. The part numbers that TE has identified as EU RoHS compliant have a maximum concentration of 0.1% by weight in homogenous materials for lead, hexavalent chromium, mercury, PBB, PBDE, DBP, BBP, DEHP, DIBP, and 0.01% for cadmium, or qualify for an exemption to these limits as defined in the Annexes of Directive 2011/65/EU (RoHS2). Finished electrical and electronic equipment products will be CE marked as required by Directive 2011/65/EU. Components may not be CE marked. Additionally, the part numbers that TE has identified as EU ELV compliant have a maximum concentration of 0.1% by weight in homogenous materials for lead, hexavalent chromium, and mercury, and 0.01% for cadmium, or qualify for an exemption to these limits as defined in the Annexes of Directive 2000/53/EC (ELV). Regarding the REACH Regulation, the information TE provides on SVHC in articles for this part number is based on the latest European Chemicals Agency (ECHA) 'Guidance on requirements for substances in articles' posted at this URL: <https://echa.europa.eu/guidance-documents/guidance-on-reach>

## Compatible Parts



TE Part # CJ2087-000  
HL2010E-KIT-120V

## Customers Also Bought



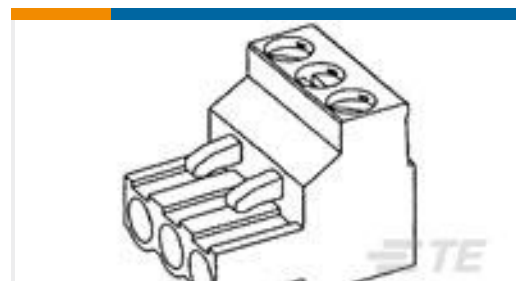
TE Part #1-770849-2  
12P SL156 HSG W/LCK RMP & TABS



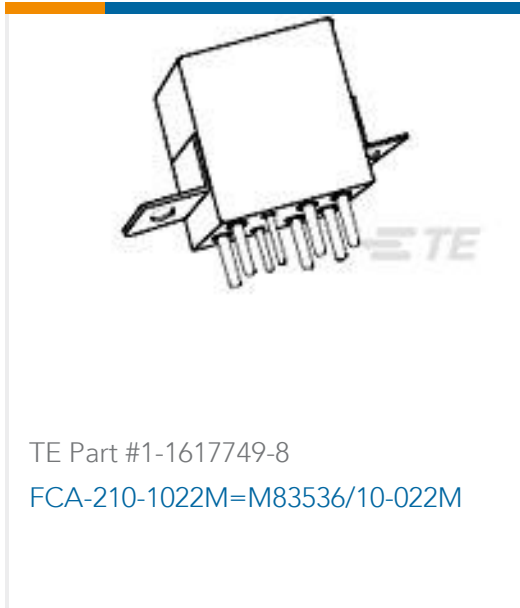
TE Part #1-1757819-0  
AMPLIMITE,ASY,PLUG,STD,109,ZN,5,CT



TE Part #108961-000  
D-406-0003



TE Part #1-796640-0  
10 POS 5.0 MM R/A PLUG,TRM BLK



## Documents

### Product Drawings

[CWT-9004](#)

English

### Datasheets & Catalog Pages

[1654025\\_Sec8\\_B-155\\_CWT\\_D-110\\_D-1744](#)

English

[Raychem Electrical Interconnect Products](#)

English

### Product Specifications

[SolderSleeve One-Step Wire and Cable Terminators Installation Procedures for CWT and B-155 Products](#)

English

## X-ON Electronics

Largest Supplier of Electrical and Electronic Components

*Click to view similar products for [Solder Sleeves & Shield Tubing](#) category:*

*Click to view products by [TE Connectivity](#) manufacturer:*

Other Similar products are found below :

[899170-000](#) [620040N001](#) [620069N003](#) [CTA-0050-01](#) [629624-000](#) [6500750004](#) [6501390002](#) [CX0781-000](#) [696396-000](#) [697080-000](#) [D-150-0331CS2902](#) [D-181-1222-90/9CS2800](#) [D-300-01CS1108](#) [715325N001](#) [908357N001](#) [982127-1](#) [D-436-0182CS246](#) [D-436-37CS2651](#) [D-436-61CS246](#) [D-436-82-CS2621](#) [D-659-0087](#) [E53797N001](#) [CB0213-000](#) [CB0219-000](#) [S200-2-01](#) [S200-4-00CS2904](#) [LSS-81-16AA-CS5575](#) [ST18-2-00](#) [FLX40-020-04-CS8651](#) [325534-000](#) [CTA-0025](#) [D-108-07CS436](#) [D-128-0010](#) [D-141-0108CS404](#) [D-144-41CS1371](#) [D-150-0231-NRCS2896](#) [D-150-1011](#) [395947-000](#) [427243N001](#) [B-801-18-01](#) [515-9](#) [C67137-000](#) [CB0220-000](#) [D-436-0185CS1102](#) [D-436-36CS2908](#) [D-436-37CS2908](#) [D-436-52CS246](#) [D44133N001](#) [LSS-26-8A](#) [626168-000](#)