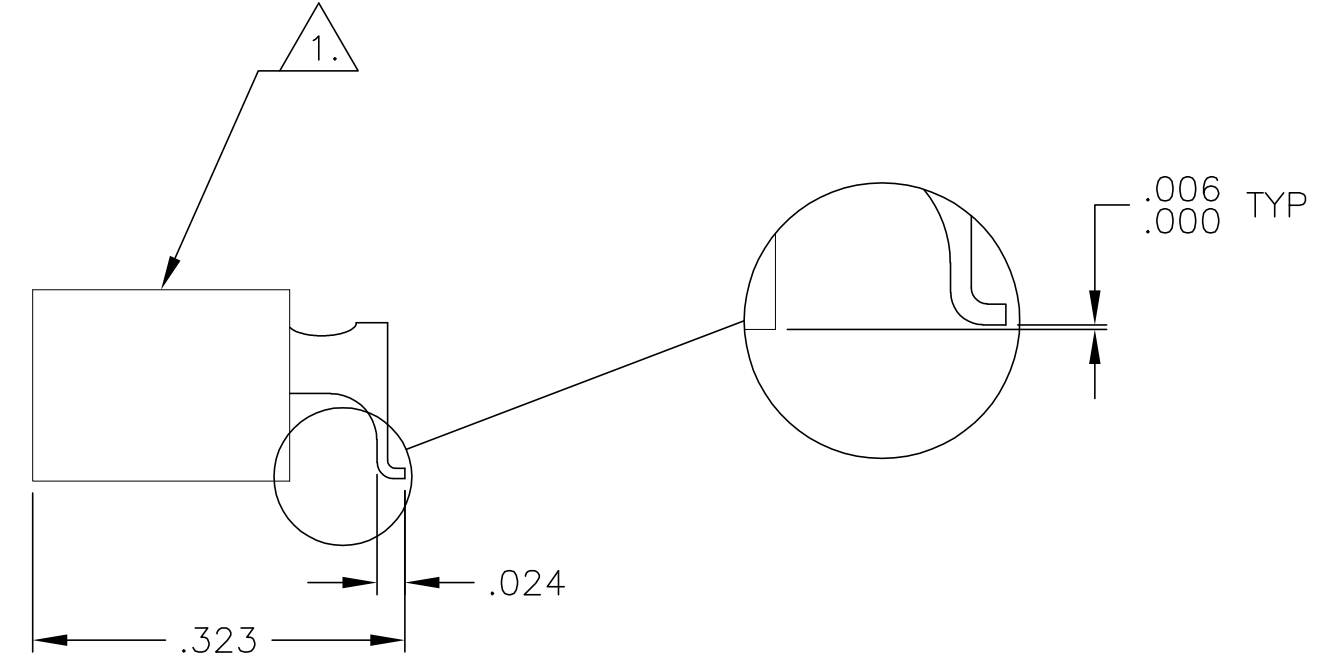
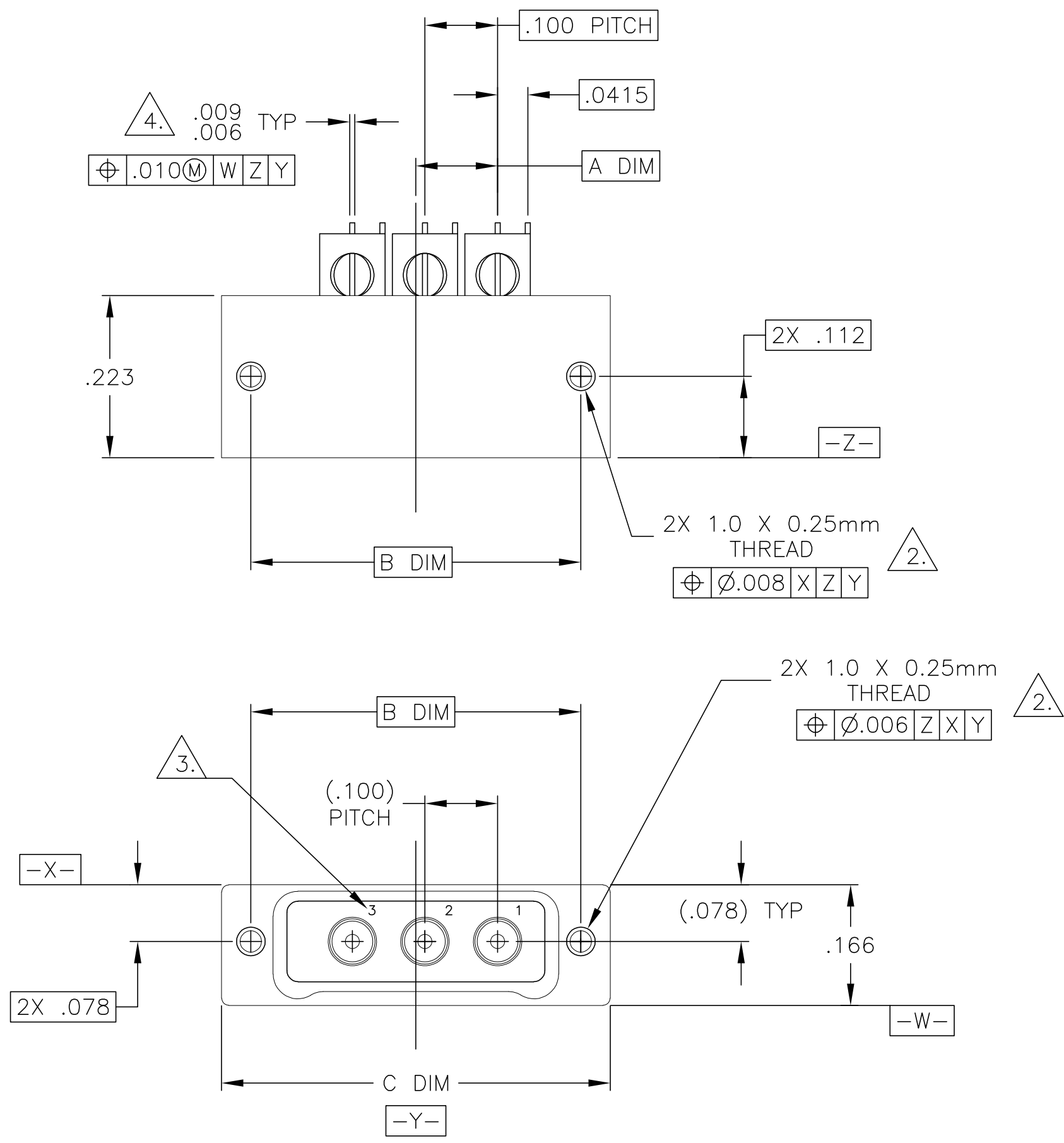


THIS DRAWING IS UNPUBLISHED. RELEASED FOR PUBLICATION  
 © COPYRIGHT - By - ALL RIGHTS RESERVED.

LOC		DIST		REVISIONS			
P	LTR	DESCRIPTION	DATE	DWN	APVD		
-	-	H2	REVISED PER ECO-11-005139	21MAR11	RK HMR		

No. COAX POSITIONS	A DIM	B DIM	C DIM
1	.0125	.254	.335
2	.0625	.354	.435
3	.1125	.454	.535
4	.1625	.554	.635
5	.2125	.654	.735
6	.2625	.754	.835
7	.3125	.854	.935
8	.3625	.954	1.035
9	.4125	1.054	1.135

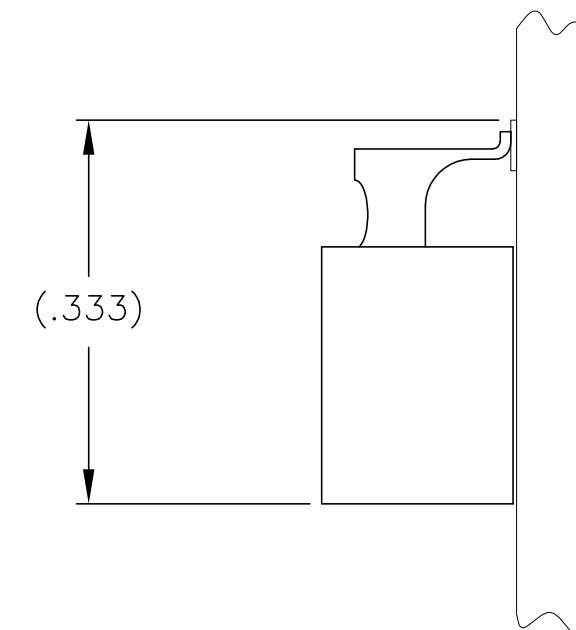
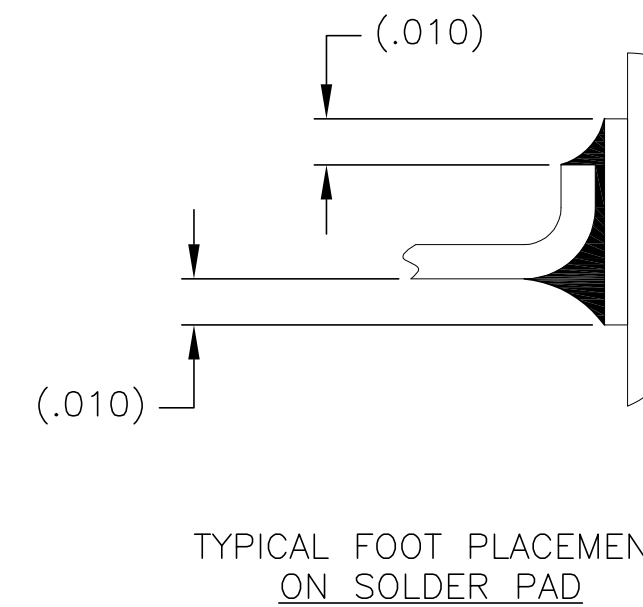
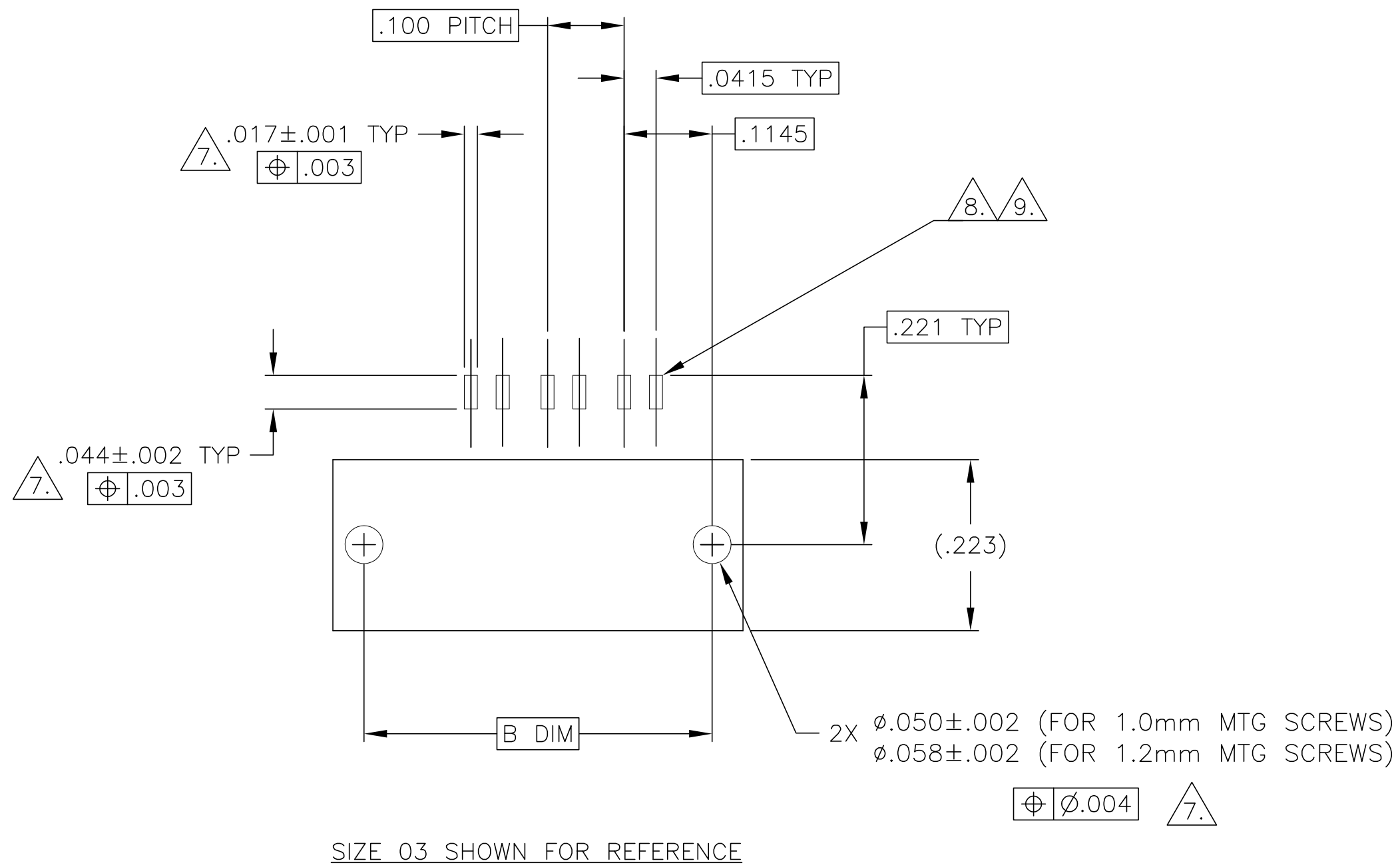


- 1. SHELL MATERIAL: 6061-T6 ALUMINUM, ELECTROLESS NICKEL PLATED PER SAE-AMS-C-26074  
INSULATOR MATERIAL: LIQUID CRYSTAL POLYMER (LCP) PER MIL-M-24519 OR PER ASTM D 5138
- 2. STANDARD 1.0 X 0.25mm MOUNTING AND JACKSCREW THREADS ARE SHOWN FOR REFERENCE ONLY AND MUST BE SPECIFIED IN THE NANONICS PART NUMBER WHEN REQUIRED. 1.2 X 0.25mm THREADS ALSO AVAILABLE
- 3. CONTACT NUMBERS ARE FOR REFERENCE ONLY AND ARE NOT MARKED ON THE PART
- 4. LEAD MATERIAL: HH BRASS, TIN LEAD PLATED 60/40 COMPOSITION PER SAE-AMS-P-81728
- 5. MOUNTING HARDWARE IS AVAILABLE WITH THIS CONFIGURATION (NOT SHOWN). HARDWARE MUST BE SPECIFIED IN THE NANONICS PART NUMBER. CONSULT TE CONNECTIVITY FOR DETAILS
- 6. THIS DRAWING PREVIOUSLY IDENTIFIED AS NANONICS 303-0052.

THIS DRAWING IS A CONTROLLED DOCUMENT.		DWN D. RYAN 1 SEP 99	TE Connectivity	
DIMENSIONS: INCHES		CHK E. PAULUS 1 OCT 99		
TOLERANCES UNLESS OTHERWISE SPECIFIED:		APVD -	NAME	
0 PLC ± - 1 PLC ± - 2 PLC ± .010 3 PLC ± .005 4 PLC ± - ANGLES ± 1°		PRODUCT SPEC -	RECEPTACLE ASSEMBLY, HORIZONTAL SMT, 1-9 COAX ONLY, 50 OHM, METAL	
MATERIAL SEE NOTES	FINISH SEE NOTES	APPLICATION SPEC -	SIZE A2	CAGE CODE 00779
CUSTOMER DRAWING		WEIGHT -	DRAWING NO C=1589072	RESTRICTED TO -
		SCALE 6:1	SHEET 1 of 2	REV H2

THIS DRAWING IS UNPUBLISHED. RELEASED FOR PUBLICATION  
 © COPYRIGHT - By - ALL RIGHTS RESERVED.

LOC		DIST		REVISIONS			
P	LTR	DESCRIPTION	DATE	DWN	APVD		
-	-	SEE SHEET 1	-	-	-		



TYPICAL PCB LAYOUT

- 7. POSITIONAL TOLERANCES FOR BASIC DIMENSIONED FEATURES ARE RELATIVE TO FIDUCIALS OR SOME SIMILAR DATUM REFERENCES DEFINED BY PCB DESIGNER.
- 8. SOLDER PADS.
- 9. TWO SOLDER PADS ARE REQUIRED FOR EACH COAX CONTACT.

THIS DRAWING IS A CONTROLLED DOCUMENT.		DWN D. RYAN 1 SEP 99	TE Connectivity	
DIMENSIONS: INCHES		CHK E. PAULUS 1 OCT 99	RECEPTACLE ASSEMBLY, HORIZONTAL SMT, 1-9 COAX ONLY, 50 OHM, METAL	
TOLERANCES UNLESS OTHERWISE SPECIFIED:		APVD -	NAME	RESTRICTED TO
0 PLC ± -		PRODUCT SPEC	SIZE	CAGE CODE
1 PLC ± -		APPLICATION SPEC	A2	00779
2 PLC ± .010		WEIGHT	DRAWING NO C=1589072	
3 PLC ± .005		MATERIAL	SCALE 6:1 SHEET 2 OF 2 REV H2	
4 PLC ± -		FINISH		
ANGLES ± 1°		CUSTOMER DRAWING		

## X-ON Electronics

Largest Supplier of Electrical and Electronic Components

*Click to view similar products for [RF Connectors / Coaxial Connectors](#) category:*

*Click to view products by [TE Connectivity](#) manufacturer:*

Other Similar products are found below :

[8915-1511-000](#) [89674-0827](#) [6001-7071-019](#) [6002-7051-003](#) [6002-7551-202](#) [6059674-1](#) [619550-1](#) [630059-000](#) [M39030/3-01N](#) [6500-7071-046](#) [6769](#) [CX050L2AQ](#) [7002-1541-010](#) [7002-1542-011](#) [7004-1512-000](#) [7009-1511-004](#) [7010-1511-000](#) [7029-1511-060](#) [7101-1541-010](#) [7101-1571-002](#) [7145-1521-002](#) [7203-1571-003](#) [7209-1511-011](#) [7210-1511-015](#) [7210-1511-019](#) [73137-5015](#) [73216-2241](#) [73404-2300](#) [7405-1521-005](#) [7405-1521-802](#) [8527](#) [8547](#) [FS11V](#) [877931](#) [8808-1511-001](#) [9049-9513-000](#) [9074-9513-000](#) [9101-9573-002](#) [910A205F](#) [9130-9573-002](#) [PL11SC-026](#) [PL375-33](#) [PL40-5](#) [PL74C-221](#) [PL75MC-217](#) [PL803-7](#) [1200690078](#) [1-201144-1](#) [R107003010W](#) [R110A172100](#)