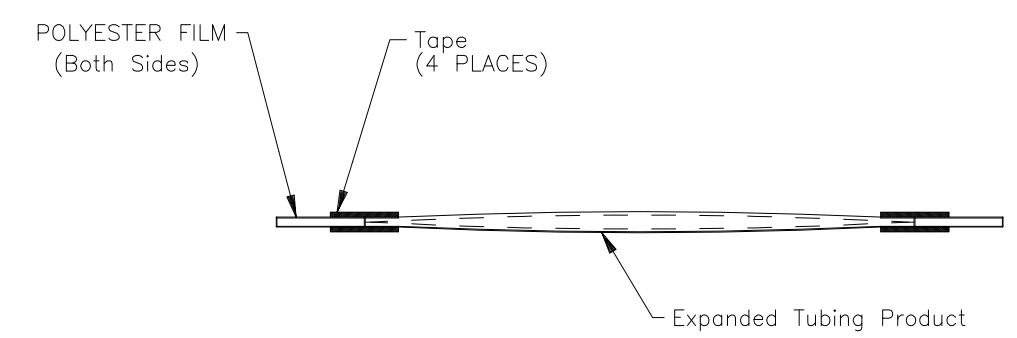
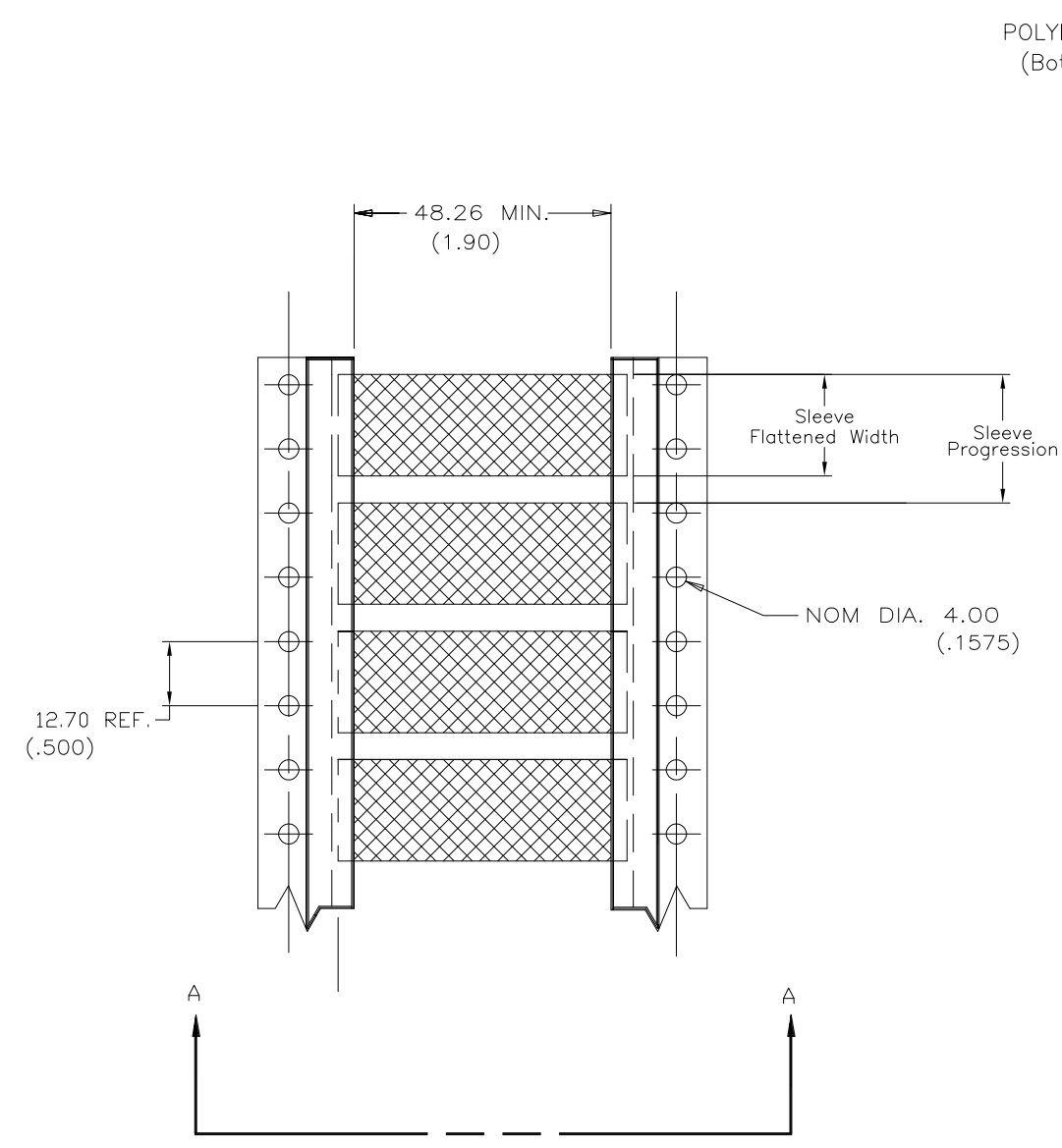
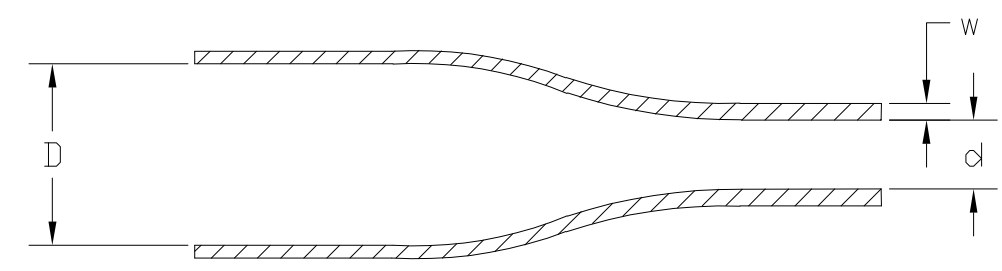



THIS DRAWING IS UNPUBLISHED. RELEASED FOR PUBLICATION
 © COPYRIGHT - By - ALL RIGHTS RESERVED.

LOC	DIST	REVISIONS			
P	LTR	DESCRIPTION	DATE	DWN	APVD
	D	MODIFIED REF. ECR-14-012590	18FEB2015	AFK	SR



Product Size	3/32	1/8	3/16	1/4	3/8	1/2	3/4	1
Nominal Sleeve Flattened Width	4.32 (.170)	5.84 (.230)	8.00 (.315)	10.67 (.420)	15.49 (.610)	20.45 (.805)	30.78 (1.20)	40.39 (1.59)
Nominal Sleeve Progression	12.70 (.500)	12.70 (.500)	12.70 (.500)	16.94 (.667)	25.40 (1.00)	29.64 (1.17)	42.34 (1.67)	50.8 (2.00)
"D" Minimum Supplied I.D.	2.36 (.093)	3.18 (.125)	4.75 (.187)	6.35 (.250)	9.53 (.375)	12.70 (.500)	19.05 (.750)	25.4 (1.00)
"d" Maximum Recovered I.D.	1.17 (.046)	1.57 (.062)	2.36 (.093)	3.18 (.125)	4.75 (.187)	6.35 (.250)	9.53 (.375)	12.7 (.500)
"w" Recovered wall ±0.08 (±.003)	0.51 (.020)	0.51 (.020)	0.51 (.020)	0.64 (.025)	0.64 (.025)	0.64 (.025)	0.76 (.030)	0.89 (.035)



THIS DRAWING IS A CONTROLLED DOCUMENT.		DWN AFK 08NOV2013	 TE Connectivity	
DIMENSIONS: mm		CHK -		
TOLERANCES UNLESS OTHERWISE SPECIFIED:		APVD -	TMS-SCE-2X	
0 PLC ± -		PRODUCT SPEC -	-	
1 PLC ± -		APPLICATION SPEC -	-	
2 PLC ± -		SIZE	CAGE CODE	DRAWING NO
3 PLC ± -		A3	06090	C=MCD160008
4 PLC ± -		WEIGHT -	RESTRICTED TO -	
ANGLES ± -		CUSTOMER DRAWING		
MATERIAL CROSSLINKED POLYOLEFIN		SCALE 1:1		SHEET 1 OF 1
FINISH -		REV D		

X-ON Electronics

Largest Supplier of Electrical and Electronic Components

Click to view similar products for [Heat Shrink Tubing and Sleeves](#) category:

Click to view products by [TE Connectivity](#) manufacturer:

Other Similar products are found below :

[5685710001](#) [CR9960-000](#) [5734012004](#) [607381P039](#) [611112-000](#) [6284592002](#) [CX4711-000](#) [CZ1420-000](#) [D-306-38](#) [770-006S302](#) [770-010Y106W1](#) [770-018S103](#) [770-018S202W1](#) [770-018S205W1](#) [770-020S704W1](#) [770-020S705](#) [MFP-3/64"-Clear](#) [790-3012](#) [MHHT-4-15K2-G-104](#) [8003012003](#) [MIL-LT-1-1/2-4-SP](#) [MIL-LT-1-1/2-9-STK](#) [MIL-LT-1/2-2-STK](#) [MIL-LT-3-0-SP](#) [MIL-LT-3/32-0-SP](#) [MIL-LT-3/32-6-SP](#) [MIL-LT-3/4-4-STK](#) [MIL-LT-3/4-6-SP](#) [839602-000](#) [8423-6](#) [FP301-116-48"-Clear](#) [FP301-12-6"-Clear](#) [FP301-1/4-48"-White-Hdr](#) [FP301-18-48"-Black-Hdr](#) [FP301-1/8-6"-Black](#) [FP301-18-6"-Black-Bulk](#) [FP301-316-48"-Blue-Hdr](#) [912229N002](#) [R280637030](#) [HDCW-5515-1000](#) [HDT-0300-48A-BLACK](#) [HDT-0400-48A-Black](#) [HDT-0800-48A-RED](#) [HDT1100-48A-BLK](#) [HDT1500-48A-BLK](#) [HDT-2000-48A-Black](#) [RHW-70/20-1200/ADH-0](#) [DWP-125-0.450-4-55MM-CS879](#) [156082-000](#) [MT5500-3/8-X-SP](#)