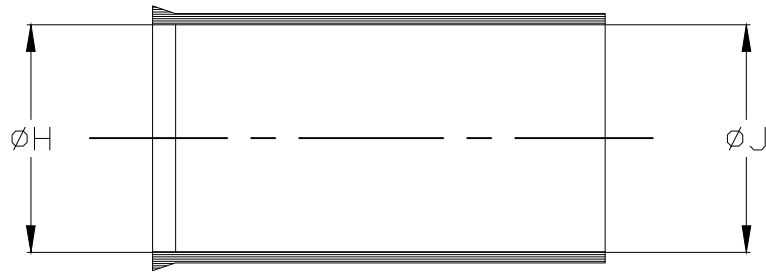
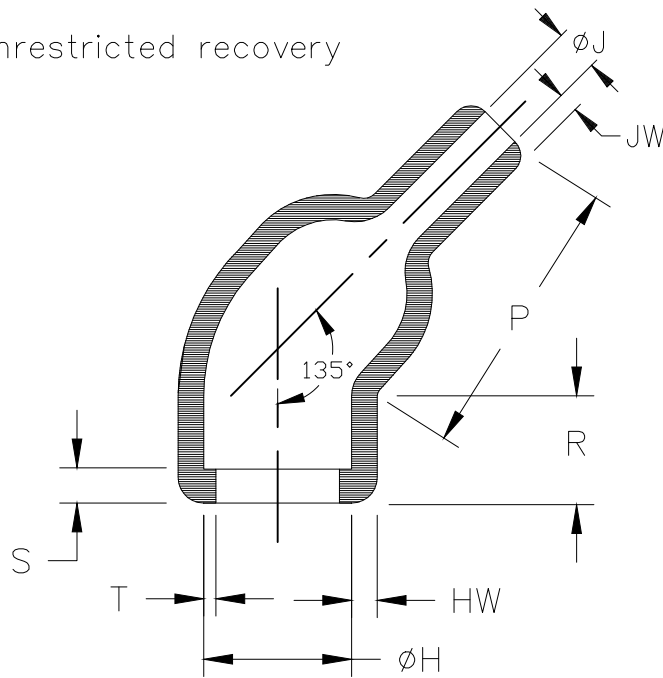


REVISIONS					
P	LTR	DESCRIPTION	DATE	DWN	APVD
	4	PRODUCTION ISSUE	04FEB2019	PNT	MT

a) Part as supplied



b) Part after unrestricted recovery



DIMENSIONS TABLE

Part No.	H		J		P	R	S	T	HW	JW
	min	max	min	max	±10%	±10%	±10%	±10%	±20%	±20%
	a	b	a	b	b	b	b	b	b	b
243D012-*G04	20 [.79]	14.2 [.56]	20 [.79]	4.1 [.16]	24 [.94]	10 [.39]	3.0 [.12]	1.1 [.043]	2.3 [.09]	1.8 [.07]
243D022-*G04 #	24 [.94]	17.8 [.70]	24 [.94]	5.6 [.22]	27 [1.06]	10 [.39]	3.0 [.12]	1.1 [.043]	2.8 [.11]	1.9 [.074]


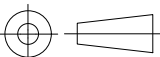
THIS IS AN OVEREXPANDED VARIANT MODIFIED DIMENSIONS ARE SHOWN THUS: - #

RELEASED FOR PUBLICATION

ALL RIGHTS RESERVED.

THIS DRAWING IS UNPUBLISHED.

© COPYRIGHT - TE Connectivity Ltd.

DIMENSIONS: mm [INCHES]	DWN PRAVEEN N T	04FEB2019	MATERIAL SEE SHEET 2	FINISH -
	CHK N NAGAR	04FEB2019	 TE Connectivity Ltd.	
TOLERANCES UNLESS OTHERWISE SPECIFIED:	APVD M TAYLOR	04FEB2019		
0 PLC ± -	PRODUCT SPEC	-	NAME 45 DEGREE BOOT, THICK WALL, WITH LIP	
1 PLC ± -	APPLICATION SPEC	-	SIZE	CAGE CODE
2 PLC ± -			A4	00779
3 PLC ± -			DRAWING NO	
4 PLC ± -			G-243D0XX-XX-G04-0	
ANGLES ± -	WEIGHT	-	RESTRICTED TO	
			-	
CUSTOMER DRAWING			SCALE DNS	SHEET 1 OF 2
			REV 4	

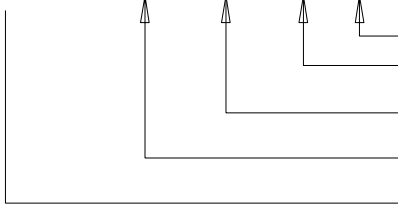
REVISIONS				
P	LTR	DESCRIPTION	DATE	APVD
-	-	SEE SHEET 1	-	-

COMPATIBILITY CHART

Material Dash Number	Material Description	RT Spec	Coating Slash No.	Coating S No.
-3	POLYOLEFIN, SEMI-RIGID	RT-301	/42./86./180	S1017; S1048; S1030
-4	POLYOLEFIN, FLEXIBLE	RT-1304	/42./86./180	S1017; S1048; S1030
-25	ELASTOMER, FLUID RESISTANT	RW-2070	/42./86./225	S1017; S1048; S1206

Ordering Information

234A0XX-XX-GXX/XX-0



- Color designator
- Adhesive Slash Number (if required see compatibility chart)
- Modification Number
- Material Dash Number (see compatibility chart)
- Base Part Number

NOTES

- As supplied dimensions are for uncoated parts, when coating is added entry diameters will reduce by 1.5mm [.06] Max.

RELEASED FOR PUBLICATION

ALL RIGHTS RESERVED.

© COPYRIGHT - TE Connectivity Ltd.

DIMENSIONS: mm [INCHES]	DWN PRAVEEN N T	04FEB2019	MATERIAL -	FINISH -				
	CHK N NAGAR	04FEB2019	TE Connectivity Ltd.					
TOLERANCES UNLESS OTHERWISE SPECIFIED: 0 PLC ± - 1 PLC ± - 2 PLC ± - 3 PLC ± - 4 PLC ± - ANGLES ± -	APVD M TAYLOR	04FEB2019			NAME 45 DEGREE BOOT, THICK WALL, WITH LIP			
	PRODUCT SPEC	-						
	APPLICATION SPEC	-	SIZE	CAGE CODE	DRAWING NO	RESTRICTED TO		
	WEIGHT	A4 00779 243D0XX-XX-G04-0			-			
	CUSTOMER DRAWING			SCALE	DNS	SHEET	2 OF 2	REV

X-ON Electronics

Largest Supplier of Electrical and Electronic Components

Click to view similar products for [Heat Shrink Cable Boots & End Caps](#) category:

Click to view products by [TE Connectivity](#) manufacturer:

Other Similar products are found below :

[577159N001](#) [007758-000](#) [610368N003](#) [618803-000](#) [645494-000](#) [M85049/141-02HU](#) [M85049/141-03HU](#) [M85049/141-04HU](#) [687025-000](#)
[705331-000](#) [718446-000](#) [725666N001](#) [729257-000](#) [F21914-000](#) [F27131-000](#) [F85868-000](#) [770-006A103R](#) [770-006A304W1](#) [770-](#)
[006A305W1](#) [770-006A308W1](#) [770-011T303W1](#) [770-011T304W1](#) [770-020S702W1](#) [770-020S704W1](#) [806542N001](#) [807507-000](#) [808059-000](#)
[808296-000](#) [808362-000](#) [808828-000](#) [809125-000](#) [809130-000](#) [809218-000](#) [811218-000](#) [811288-000](#) [812014-000](#) [812047-000](#) [813166-000](#)
[813767N002](#) [814417-000](#) [819115N001](#) [819117N001](#) [823026-000](#) [823070-000](#) [825002-000](#) [841189N001](#) [861471-000](#) [866647-000](#) [937577-](#)
[000](#) [950764-000](#)