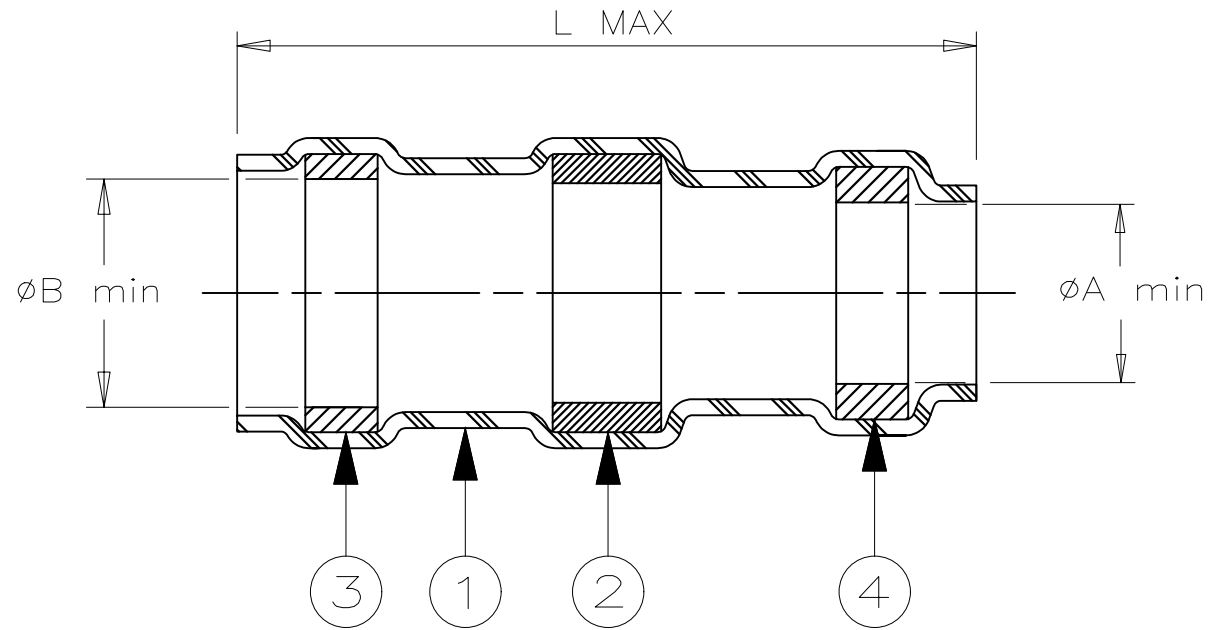
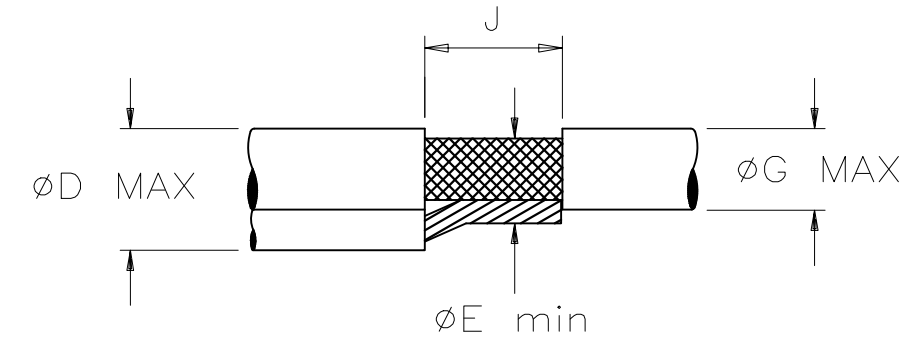


P	LTR	DESCRIPTION	DATE	DWN	APVD
4		AS PER ECO-20-004511	30MAR2020	MG	UV



For best results, prepare the cable as shown:



**APPLICATION**

These parts are designed to provide an environment protected shield termination on cables, rated for 125°C minimum, meeting the dimensional criteria listed, having tin or silver plated copper shields.

Install using TE Connectivity approved convection or infrared tools in accordance with Raychem assembly procedure RCPS-100-70.

**PERFORMANCE**

Assemblies will meet requirements of Raychem specification RT-1404 and National Aerospace Standard NAS-1747.

Temperature range: -55°C to +150°C.

**TECHNICAL DETAILS**

ITEM	DESCRIPTION	MATERIAL
1	Heat-shrinkable insulation sleeve Transparent blue.	Radiation cross-linked polyvinylidene fluoride.
2	Solder preform with flux.	Sn63 Pb37 solder alloy Thermal indicator: violet
3	Meltable ring. color: grey	Thermally stabilized thermoplastic.
4	Meltable ring. color: grey	Thermally stabilized thermoplastic.

Product Name	Product dimensions			Cable dimensions			
	L MAX	ØA min	ØB min	ØD MAX	ØE min	ØG MAX	J±0.5 (±0.02)
D-101-00	17.25 (0.680)	4.55 (0.180)	5.00 (0.200)	5.00 (0.200)	2.5 (0.100)	4.55 (0.180)	7 (0.275)

IF THIS DOCUMENT IS PRINTED IT BECOMES UNCONTROLLED. CHECK FOR THE LATEST REVISION.

THIS DRAWING IS A CONTROLLED DOCUMENT.		DWN M.GOWDA 30MAR2020	TE Connectivity															
DIMENSIONS: mm [INCHES]		CHK N.HEGDE 30MAR2020																
TOLERANCES UNLESS OTHERWISE SPECIFIED:		APVD U.VARMA 30MAR2020	NAME															
<table border="0"> <tr> <td>0 PLC</td> <td>± -</td> </tr> <tr> <td>1 PLC</td> <td>± -</td> </tr> <tr> <td>2 PLC</td> <td>± -</td> </tr> <tr> <td>3 PLC</td> <td>± -</td> </tr> <tr> <td>4 PLC</td> <td>± -</td> </tr> <tr> <td>ANGLES</td> <td>± -</td> </tr> </table>		0 PLC	± -	1 PLC	± -	2 PLC	± -	3 PLC	± -	4 PLC	± -	ANGLES	± -	PRODUCT SPEC	SOLDERSLEEVE SHIELD TERMINATOR			
0 PLC	± -																	
1 PLC	± -																	
2 PLC	± -																	
3 PLC	± -																	
4 PLC	± -																	
ANGLES	± -																	
MATERIAL		FINISH	APPLICATION SPEC	SIZE	CAGE CODE	DRAWING NO	RESTRICTED TO											
-		-	-	A3	06090	C=D-101-00	-											
CUSTOMER DRAWING			WEIGHT	SCALE	SHEET	REV												
-			-	DNS	1 OF 1	4												

## X-ON Electronics

Largest Supplier of Electrical and Electronic Components

*Click to view similar products for [Solder Sleeves & Shield Tubing](#) category:*

*Click to view products by [TE Connectivity](#) manufacturer:*

Other Similar products are found below :

[899170-000](#) [620040N001](#) [620069N003](#) [CTA-0050-01](#) [629624-000](#) [6500750004](#) [6501390002](#) [CX0781-000](#) [696396-000](#) [697080-000](#) [D-150-0331CS2902](#) [D-181-1222-90/9CS2800](#) [D-300-01CS1108](#) [715325N001](#) [908357N001](#) [982127-1](#) [D-436-0182CS246](#) [D-436-37CS2651](#) [D-436-61CS246](#) [D-436-82-CS2621](#) [D-659-0087](#) [E53797N001](#) [CB0213-000](#) [CB0219-000](#) [S200-2-01](#) [S200-4-00CS2904](#) [LSS-81-16AA-CS5575](#) [ST18-2-00](#) [FLX40-020-04-CS8651](#) [325534-000](#) [CTA-0025](#) [D-108-07CS436](#) [D-128-0010](#) [D-141-0108CS404](#) [D-144-41CS1371](#) [D-150-0231-NRCS2896](#) [D-150-1011](#) [395947-000](#) [427243N001](#) [B-801-18-01](#) [515-9](#) [C67137-000](#) [CB0220-000](#) [D-436-0185CS1102](#) [D-436-36CS2908](#) [D-436-37CS2908](#) [D-436-52CS246](#) [D-436-83CS2705](#) [D44133N001](#) [LSS-26-8A](#)