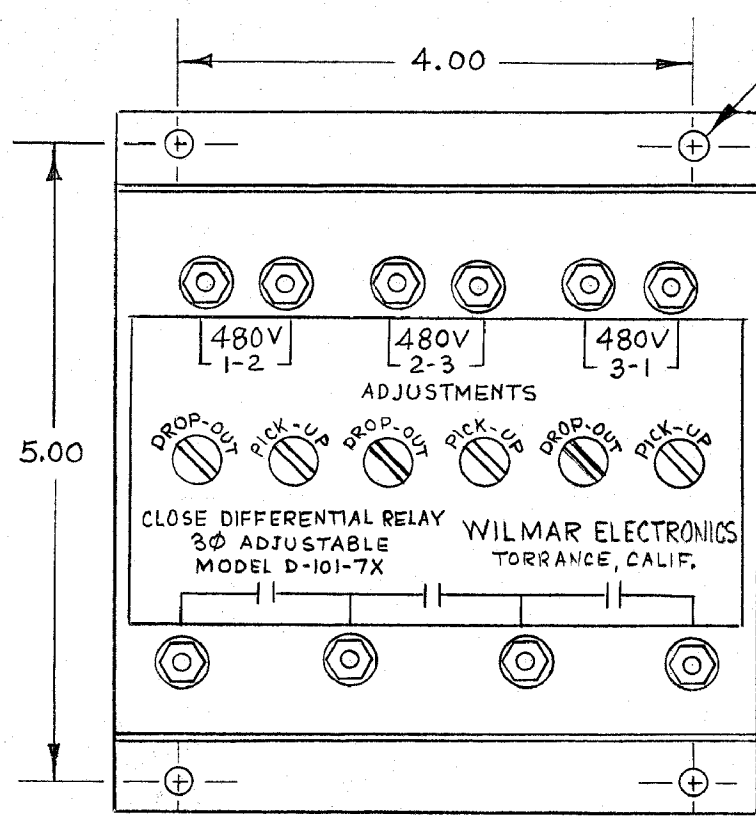
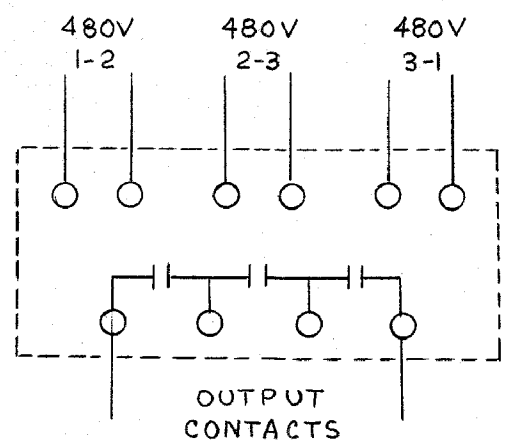


REVISIONS				
ZONE	LTR	DESCRIPTION	DATE	APPROVED

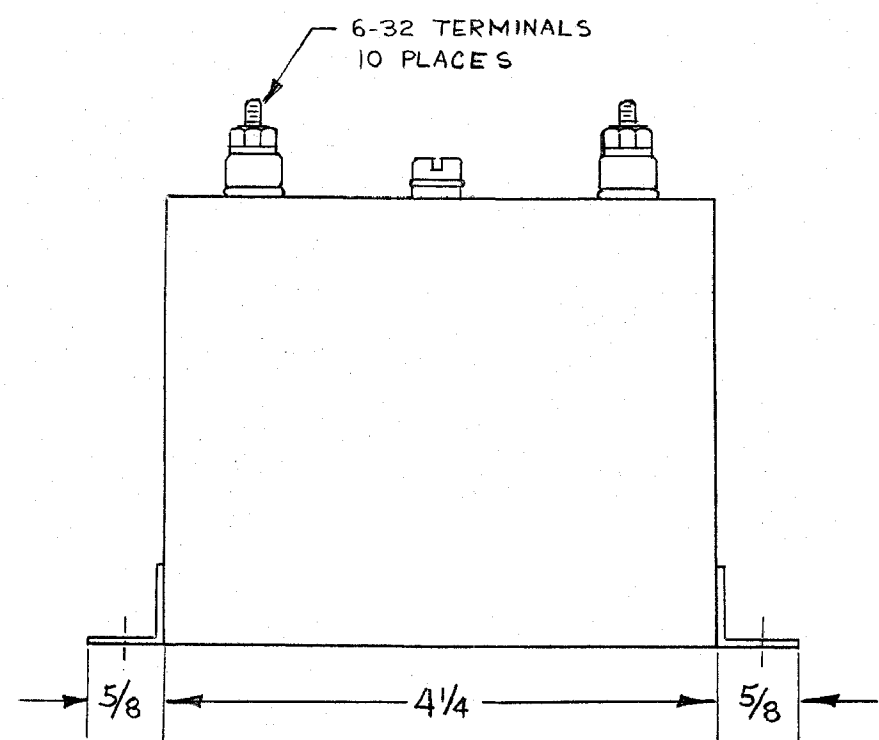
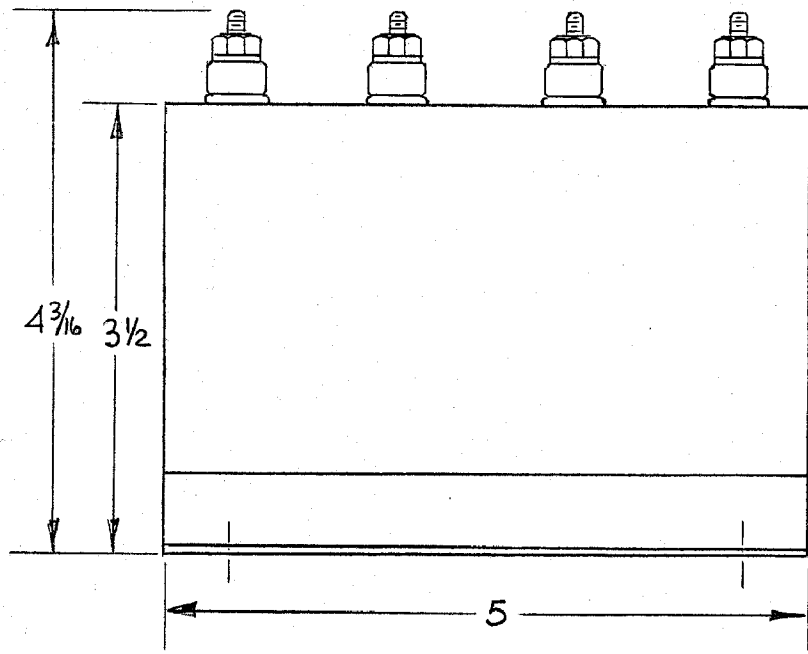


CONNECTIONS



SPECIFICATIONS

NOMINAL VOLTAGE : 480VAC, 3φ, 3WIRE, 50/60 Hz.  
 PICK-UP ADJUST RANGE : 320-480 VOLTS  
 DROP-OUT ADJUST RANGE : 320-480 VOLTS  
 MAX. DIFFERENTIAL SETTING : 160 VOLTS  
 MIN. DIFFERENTIAL SETTING : 8 VOLTS  
 OUTPUT CONTACTS : 5AMP, RESISTIVE AT 120VAC OR 28VDC  
 CONSTRUCTION : SOLID STATE SENSOR WITH RELAY  
 OUTPUT ENCLOSED IN A SEALED STEEL CAN.



- NOTES: 1. REMOVE SCREWS FOR ACCESS TO PICK-UP AND DROP-OUT ADJUSTMENTS.  
 2. CLOCKWISE ROTATION OF THE ADJUSTING POTENTIOMETER WILL RAISE THE TRIP POINT. (USE SCREWDRIVER FOR ADJUSTMENT).

		UNLESS OTHERWISE SPECIFIED DIMENSIONS ARE IN INCHES TOLERANCES ON FRACTIONS DECIMALS ANGLES ± 1/32 ± .010 ± 1/2° BREAK ALL SHARP EDGES .015 MAX. AND DEBURR MATERIAL:
NEXT ASSY	USED ON	
APPLICATION		

QTY REQD	SYM	DESCRIPTION	CODE IDENT NO.	PART NO.	SPEC	MATERIAL OR NOTE	ITEM NO.
LIST OF MATERIAL							
CONTRACT NO.			<b>WILMAR</b> ELECTRONICS, INC. TORRANCE, CALIFORNIA				
DRAWN	E.R.H.	9-20-73	TITLE <b>CLOSE DIFFERENTIAL RELAY 3 PHASE ADJUSTABLE - 480VAC MODEL D101-7X</b>				
CHECKED	Z.C.H.	9/20/73					
DESIGN APPROVAL							
PROJECT APPROVAL							
DESIGN ACTIVITY APPROVAL			SIZE	CODE IDENT NO.	DWG NO.		
APPROVAL			C	25248	21-224		
			SCALE	1:1	WEIGHT	SHEET	

Tyco Electronics  
Kilovac Division

SD- D101-7X Rev A

CUSTOMER DRAWING

## X-ON Electronics

Largest Supplier of Electrical and Electronic Components

*Click to view similar products for [General Purpose Relays](#) category:*

*Click to view products by [TE Connectivity](#) manufacturer:*

Other Similar products are found below :

[PCN-105D3MH,000](#) [59641F200](#) [LY1SAC110120](#) [5X827E](#) [5X837F](#) [5X840F](#) [5X842F](#) [5X848E](#) [LY2N-AC120](#) [LY2S-AC220/240](#) [LY2-US-AC120](#) [LY3-US-AC120](#) [LY4F-UA-DC12](#) [LY4F-UA-DC24](#) [LY4F-US-AC120](#) [LY4F-US-AC240](#) [LY4F-US-DC24](#) [LY4F-VD-AC110](#) [LYQ20DC12](#) [M115C60](#) [M115N010](#) [M115N0150](#) [6031007G](#) [603-12D](#) [61211T0B4](#) [61212T400](#) [61222Q400](#) [61243B600](#) [61243C500](#) [61243Q400](#) [61311BOA2](#) [61311BOA6](#) [61311BOA8](#) [61311C0A2](#) [61311COA1](#) [61311COA6](#) [61311F0A2](#) [61311QOA1](#) [61311QOA4](#) [61311T0D6](#) [61311TOA6](#) [61311TOA7](#) [61311TOB3](#) [61311TOB4](#) [61311U0A6](#) [61312Q600](#) [61312T400](#) [61312T600](#) [61313U200](#) [61313U400](#)