



Terminals & Splices > Splices



Splice Product Type: **SolderSleeve**

Terminal & Splice Type: **Splice**

Wire Size: **.08 mm<sup>2</sup>**

Sealable: **No**

## Features

### Product Type Features

Discrete Wire Type	Solid
Splice Product Type	SolderSleeve
Sealable	No
Splice Type	One-to-One Splice
Serrated	No
Splice Barrel Type	Open Barrel
Splice Wire/Cable Type	Insulated Wire
Insulated	Yes

### Body Features

Insulation Sleeve Material	Polyvinylidene Fluoride
Weight per Piece	1 g
Plating Material	Tin/Silver
Insulation Material	Heat Shrink Radiation-Crosslinked Modified Polyvinylidene Fluoride
Splice Color	Blue

### Contact Features

Terminal & Splice Type	Splice
------------------------	--------

### Termination Features

Termination Method	Solder
--------------------	--------



### Mechanical Attachment

Wire Insulation Support	Without
-------------------------	---------

### Dimensions

Wire Size	.08 mm <sup>2</sup>
Splice Wire Insulation Diameter (Max)	.53 mm[.021 in]
Splice Overall Length	5.08 mm[.2 in]

### Usage Conditions

Insulation Requirement	Fully Insulated
Cable Temperature Rating	135 °C

### Operation/Application

Heavy Duty	No
------------	----

### Industry Standards

Government Qualified Splice	No
-----------------------------	----

### Packaging Features

Packaging Quantity	500
Splice Packaging Method	Package

### Other

Barrel Color	Transparent Blue
--------------	------------------

## Product Compliance

[For compliance documentation, visit the product page on TE.com>](#)

EU RoHS Directive 2011/65/EU	Not Compliant
EU ELV Directive 2000/53/EC	Not Compliant
China RoHS 2 Directive MIIT Order No 32, 2016	Restricted Materials Above Threshold
EU REACH Regulation (EC) No. 1907/2006	Current ECHA Candidate List: JAN 2021 (211) Candidate List Declared Against: JAN 2021 (211) SVHC > Threshold: Pb (37% in Solder) <b>Article Safe Usage Statements:</b> Do not eat, drink or smoke when using this product. Wash thoroughly after handling. Recycle if possible and dispose of the article by following all applicable governmental regulations relevant to your geographic location.
Halogen Content	BFR/CFR/PVC Free, but Br/Cl >900 ppm in other sources.
Solder Process Capability	Not applicable for solder process capability



Product Compliance Disclaimer

This information is provided based on reasonable inquiry of our suppliers and represents our current actual knowledge based on the information they provided. This information is subject to change. The part numbers that TE has identified as EU RoHS compliant have a maximum concentration of 0.1% by weight in homogenous materials for lead, hexavalent chromium, mercury, PBB, PBDE, DBP, BBP, DEHP, DIBP, and 0.01% for cadmium, or qualify for an exemption to these limits as defined in the Annexes of Directive 2011/65/EU (RoHS2). Finished electrical and electronic equipment products will be CE marked as required by Directive 2011/65/EU. Components may not be CE marked. Additionally, the part numbers that TE has identified as EU ELV compliant have a maximum concentration of 0.1% by weight in homogenous materials for lead, hexavalent chromium, and mercury, and 0.01% for cadmium, or qualify for an exemption to these limits as defined in the Annexes of Directive 2000/53/EC (ELV). Regarding the REACH Regulation, the information TE provides on SVHC in articles for this part number is based on the latest European Chemicals Agency (ECHA) 'Guidance on requirements for substances in articles' posted at this URL: <https://echa.europa.eu/guidance-documents/guidance-on-reach>

### Compatible Parts



TE Part # CJ2087-000  
HL2010E-KIT-120V

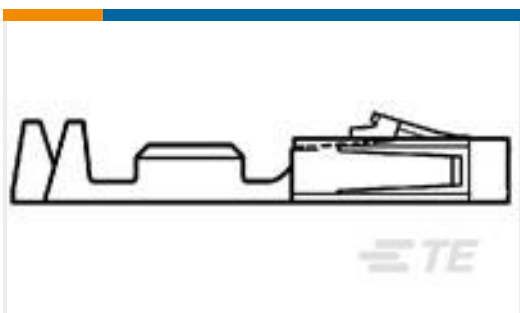
### Customers Also Bought



TE Part #1-640251-8  
18P SL156 HSG W/O LCK RAMP



TE Part #1-87631-6  
20 MODIV HSG DR MRKD .100 POL



TE Part #104480-8  
SHORT POINT RCP CONT LP



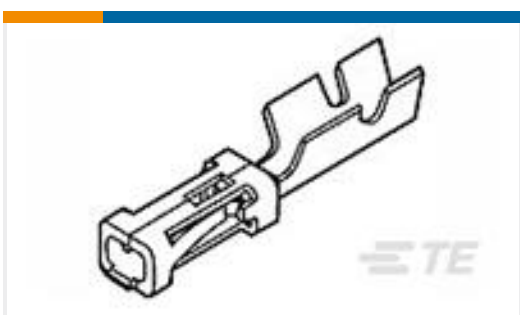
TE Part #1-640250-8  
18P SL156 HSG W/LCK RAMP NATL



TE Part #1218124-3  
25 POS, ASSY, PLUG, LOW PROF, 109



TE Part #1532207-2  
M83513/02-GC, MCKS-C2-B-51SS



TE Part #102548-6  
MOD IV RECP LP



TE Part #1532177-7  
M83513/04-G11N, MCKS-N1-B-51S6Q9-18.0

### Documents

Product Drawings

D-110-40

English



**Datasheets & Catalog Pages**

[1654025\\_Sec8\\_B-155\\_CWT\\_D-110\\_D-1744](#)

English

[Raychem Electrical Interconnect Products](#)

English

## X-ON Electronics

Largest Supplier of Electrical and Electronic Components

*Click to view similar products for [Solder Sleeves & Shield Tubing](#) category:*

*Click to view products by [TE Connectivity](#) manufacturer:*

Other Similar products are found below :

[899170-000](#) [620040N001](#) [620069N003](#) [CTA-0050-01](#) [629624-000](#) [6500750004](#) [6501390002](#) [CX0781-000](#) [696396-000](#) [697080-000](#) [D-150-0331CS2902](#) [D-181-1222-90/9CS2800](#) [D-300-01CS1108](#) [715325N001](#) [908357N001](#) [982127-1](#) [D-436-0182CS246](#) [D-436-37CS2651](#) [D-436-61CS246](#) [D-436-82-CS2621](#) [D-659-0087](#) [E53797N001](#) [CB0213-000](#) [CB0219-000](#) [S200-2-01](#) [S200-4-00CS2904](#) [LSS-81-16AA-CS5575](#) [ST18-2-00](#) [FLX40-020-04-CS8651](#) [325534-000](#) [CTA-0025](#) [D-108-07CS436](#) [D-128-0010](#) [D-141-0108CS404](#) [D-144-41CS1371](#) [D-150-0231-NRCS2896](#) [D-150-1011](#) [395947-000](#) [427243N001](#) [B-801-18-01](#) [515-9](#) [C67137-000](#) [CB0220-000](#) [D-436-0185CS1102](#) [D-436-36CS2908](#) [D-436-37CS2908](#) [D-436-52CS246](#) [D44133N001](#) [LSS-26-8A](#) [626168-000](#)