



Terminals & Splices > Splices



Splice Product Type: **SolderSleeve**

Terminal & Splice Type: **Splice**

Wire Size: **.34 mm²**

Sealable: **No**

Features

Product Type Features

Splice Product Type	SolderSleeve
Sealable	No
Splice Type	PCB Connector
Insulated	Yes

Contact Features

Terminal & Splice Type	Splice
------------------------	--------

Termination Features

Termination Method	Solder
--------------------	--------

Dimensions

Wire Size	.34 mm ²
Splice Wire Insulation Diameter (Max)	1.3 mm[.051 in]
Splice Overall Length	12.19 mm[.48 in]

Usage Conditions

Insulation Requirement	Fully Insulated
Cable Temperature Rating	135 °C
Operating Temperature Range	-55 – 150 °C[-67 – 302 °F]

Operation/Application

Heavy Duty	No
------------	----



Industry Standards

Government Qualified Splice	No
-----------------------------	----

Packaging Features

Splice Packaging Method	Bag
-------------------------	-----

Product Compliance

[For compliance documentation, visit the product page on TE.com>](#)

EU RoHS Directive 2011/65/EU	Not Compliant
EU ELV Directive 2000/53/EC	Not Compliant
China RoHS 2 Directive MIIT Order No 32, 2016	Restricted Materials Above Threshold
EU REACH Regulation (EC) No. 1907/2006	Current ECHA Candidate List: JAN 2021 (211) Candidate List Declared Against: JAN 2021 (211) SVHC > Threshold: Pb (37% in Solder) Article Safe Usage Statements: Do not eat, drink or smoke when using this product. Wash thoroughly after handling. Recycle if possible and dispose of the article by following all applicable governmental regulations relevant to your geographic location.
Halogen Content	BFR/CFR/PVC Free, but Br/Cl >900 ppm in other sources.
Solder Process Capability	Not applicable for solder process capability

Product Compliance Disclaimer

This information is provided based on reasonable inquiry of our suppliers and represents our current actual knowledge based on the information they provided. This information is subject to change. The part numbers that TE has identified as EU RoHS compliant have a maximum concentration of 0.1% by weight in homogenous materials for lead, hexavalent chromium, mercury, PBB, PBDE, DBP, BBP, DEHP, DIBP, and 0.01% for cadmium, or qualify for an exemption to these limits as defined in the Annexes of Directive 2011/65/EU (RoHS2). Finished electrical and electronic equipment products will be CE marked as required by Directive 2011/65/EU. Components may not be CE marked. Additionally, the part numbers that TE has identified as EU ELV compliant have a maximum concentration of 0.1% by weight in homogenous materials for lead, hexavalent chromium, and mercury, and 0.01% for cadmium, or qualify for an exemption to these limits as defined in the Annexes of Directive 2000/53/EC (ELV). Regarding the REACH Regulation, the information TE provides on SVHC in articles for this part number is based on the latest European Chemicals Agency (ECHA) 'Guidance on requirements for substances in articles' posted at this URL: <https://echa.europa.eu/guidance-documents/guidance-on-reach>

Compatible Parts



TE Part # CJ2087-000
HL2010E-KIT-120V

Customers Also Bought



TE Part #2-320619-1
TERMINAL,PIDG R 16-14 6



TE Part #2-1625963-4
HSA5 27R 5%



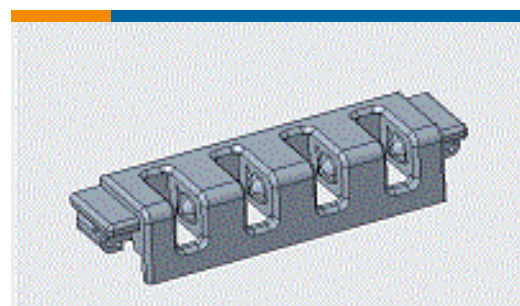
TE Part #2-1879073-1
THS10 10R 5%



TE Part #1734366-1
Std USB Type A, VT, T/H



TE Part #1551099-1
Vert.Male, Telcordia Pre-post 1x



TE Part #2108074-2
FBIS-II REC ASSY 4POS, PACKING



TE Part #173063-2
.070 ECONOSEAL 2P CAP HSG



TE Part #YACT26MB98PAV00100
STRAIGHT PLUG



TE Part #1-103958-2
10X2 MTE RPT SR LATCH .100CL

Documents

Product Drawings

D-129-03

English

Datasheets & Catalog Pages

1654025_Sec8_B-155_CWT_D-129_D-141_D-71X

English

Raychem Electrical Interconnect Products

English



X-ON Electronics

Largest Supplier of Electrical and Electronic Components

Click to view similar products for [Solder Sleeves & Shield Tubing](#) category:

Click to view products by [TE Connectivity](#) manufacturer:

Other Similar products are found below :

[899170-000](#) [620040N001](#) [620069N003](#) [CTA-0050-01](#) [629624-000](#) [6500750004](#) [6501390002](#) [CX0781-000](#) [696396-000](#) [697080-000](#) [D-150-0331CS2902](#) [D-181-1222-90/9CS2800](#) [D-300-01CS1108](#) [715325N001](#) [908357N001](#) [982127-1](#) [D-436-0182CS246](#) [D-436-37CS2651](#) [D-436-61CS246](#) [D-436-82-CS2621](#) [D-659-0087](#) [E53797N001](#) [CB0213-000](#) [CB0219-000](#) [S200-2-01](#) [S200-4-00CS2904](#) [LSS-81-16AA-CS5575](#) [ST18-2-00](#) [FLX40-020-04-CS8651](#) [325534-000](#) [CTA-0025](#) [D-108-07CS436](#) [D-128-0010](#) [D-141-0108CS404](#) [D-144-41CS1371](#) [D-150-0231-NRCS2896](#) [D-150-1011](#) [395947-000](#) [427243N001](#) [B-801-18-01](#) [515-9](#) [C67137-000](#) [CB0220-000](#) [D-436-0185CS1102](#) [D-436-36CS2908](#) [D-436-37CS2908](#) [D-436-52CS246](#) [D44133N001](#) [LSS-26-8A](#) [626168-000](#)