



Raychem

TE Internal #: 590127-000

Splices, Splice, Splice, 26 – 30AWG Wire Size, .14 – .05mm² Wire Size, Sealable, Copper Alloy, Yellow, Crimp Splice, Bag, Coaxial Cable, Insulated

[View on TE.com >](#)

Terminals & Splices > Splices



Splice Product Type: **Splice**

Terminal & Splice Type: **Splice**

Wire Size: .14 – .05 mm²

Sealable: **Yes**

Features

Product Type Features

Coaxial Cable Type	RG 180, RG 195, RG M17/137-00001, RG M17/139-00001
Splice Product Type	Splice
Sealable	Yes
Splice Type	Crimp Splice
Serrated	No
Splice Wire/Cable Type	Coaxial Cable
Insulated	Yes

Configuration Features

Number of Conductors	1
----------------------	---

Body Features

Insulation Sleeve Material	Polyolefin
Weight per Piece	1 g
Plating Material	Tin/Silver
Insulation Material	Heat Shrink Radiation-Crosslinked Modified Polyolefin
Splice Material	Copper Alloy
Splice Color	Yellow

Contact Features

--	--



Contact Plating Material	Tin
--------------------------	-----

Terminal & Splice Type	Splice
------------------------	--------

Termination Features

Termination Method	Crimp, Solder
--------------------	---------------

Dimensions

Wire Size	.14 – .05 mm ²
-----------	---------------------------

Usage Conditions

Insulation Requirement	Fully Insulated
------------------------	-----------------

Cable Temperature Rating	125 °C
--------------------------	--------

Industry Standards

Government Qualified Splice	No
-----------------------------	----

Packaging Features

Packaging Quantity	100
--------------------	-----

Splice Packaging Method	Bag
-------------------------	-----

Product Compliance

[For compliance documentation, visit the product page on TE.com>](#)

EU RoHS Directive 2011/65/EU	Not Compliant
------------------------------	---------------

EU ELV Directive 2000/53/EC	Not Compliant
-----------------------------	---------------

China RoHS 2 Directive MIIT Order No 32, 2016	Restricted Materials Above Threshold
---	--------------------------------------

EU REACH Regulation (EC) No. 1907/2006	<p>Current ECHA Candidate List: JAN 2021 (211)</p> <p>Candidate List Declared Against: JUN 2020 (209)</p> <p>SVHC > Threshold:</p> <p>Pb (37% in Solder)</p> <p>Article Safe Usage Statements: Do not eat, drink or smoke when using this product. Wash thoroughly after handling. Recycle if possible and dispose of the article by following all applicable governmental regulations relevant to your geographic location.</p>
--	---

Halogen Content	BFR/CFR/PVC Free, but Br/Cl >900 ppm in other sources.
-----------------	--

Solder Process Capability	Not applicable for solder process capability
---------------------------	--

Product Compliance Disclaimer

This information is provided based on reasonable inquiry of our suppliers and represents our current actual knowledge based on the information they provided. This information is subject to change. The part numbers that TE has identified as EU RoHS compliant have a maximum concentration of 0.1% by weight in homogenous materials for lead, hexavalent chromium, mercury, PBB, PBDE, DBP, BBP, DEHP, DIBP, and 0.01% for cadmium, or qualify for an exemption to these limits as defined in the Annexes of Directive 2011/65/EU (RoHS2). Finished electrical and electronic equipment products

will be CE marked as required by Directive 2011/65/EU. Components may not be CE marked. Additionally, the part numbers that TE has identified as EU ELV compliant have a maximum concentration of 0.1% by weight in homogenous materials for lead, hexavalent chromium, and mercury, and 0.01% for cadmium, or qualify for an exemption to these limits as defined in the Annexes of Directive 2000/53/EC (ELV). Regarding the REACH Regulation, the information TE provides on SVHC in articles for this part number is based on the latest European Chemicals Agency (ECHA) 'Guidance on requirements for substances in articles' posted at this URL: <https://echa.europa.eu/guidance-documents/guidance-on-reach>

Compatible Parts

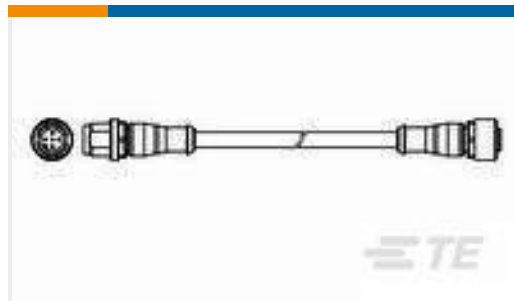


TE Part # CJ2087-000
HL2010E-KIT-120V

Customers Also Bought



TE Part #1-413985-1
PLUG ASSY,STR,SMB



TE Part #1-2273114-1
M12 strgt plug to M12 strgt socket AA



TE Part #12331-20
CONT PIN



TE Part #1918939-1
SHELL KIT, STD BULKHEAD, PRO BEAM JR, HA



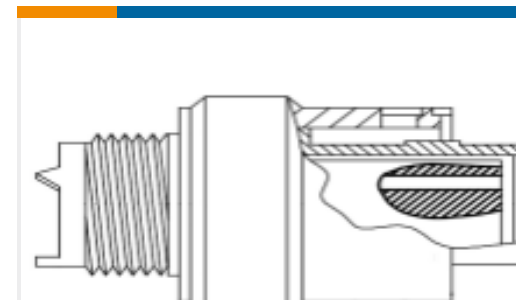
TE Part #185652-000
ST18-3-55-22-90



TE Part #109029-ZZ
CONT SOC ASSY



TE Part #1-2176251-5
CRGS2010 5% 15R



TE Part #143396-000
RD16A18-23-SNCS051/2



TE Part #12343-23
CONT SOC ASSY



TE Part #ZPF000000000017412
DTS 26 W 17-35 PN

Documents

Product Drawings



D-150-0095

English

Datasheets & Catalog Pages

[1654025_Sec8_D-150](#)

English

[1654025_Sec8_D-150_D-500_DK-621](#)

English

[Harness Repair Products Quick Reference Guide](#)

English

X-ON Electronics

Largest Supplier of Electrical and Electronic Components

Click to view similar products for [Solder Sleeves & Shield Tubing](#) category:

Click to view products by [TE Connectivity](#) manufacturer:

Other Similar products are found below :

[899170-000](#) [620040N001](#) [620069N003](#) [CTA-0050-01](#) [629624-000](#) [6500750004](#) [6501390002](#) [CX0781-000](#) [696396-000](#) [697080-000](#) [D-150-0331CS2902](#) [D-181-1222-90/9CS2800](#) [D-300-01CS1108](#) [715325N001](#) [908357N001](#) [982127-1](#) [D-436-0182CS246](#) [D-436-37CS2651](#) [D-436-61CS246](#) [D-436-82-CS2621](#) [D-659-0087](#) [E53797N001](#) [CB0213-000](#) [CB0219-000](#) [S200-2-01](#) [S200-4-00CS2904](#) [LSS-81-16AA-CS5575](#) [ST18-2-00](#) [FLX40-020-04-CS8651](#) [325534-000](#) [CTA-0025](#) [D-108-07CS436](#) [D-128-0010](#) [D-141-0108CS404](#) [D-144-41CS1371](#) [D-150-0231-NRCS2896](#) [D-150-1011](#) [395947-000](#) [427243N001](#) [B-801-18-01](#) [515-9](#) [C67137-000](#) [CB0220-000](#) [D-436-0185CS1102](#) [D-436-36CS2908](#) [D-436-37CS2908](#) [D-436-52CS246](#) [D44133N001](#) [LSS-26-8A](#) [626168-000](#)