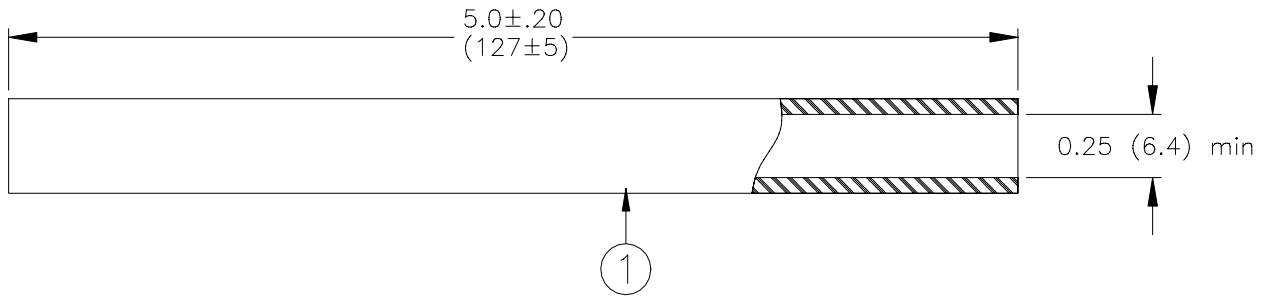
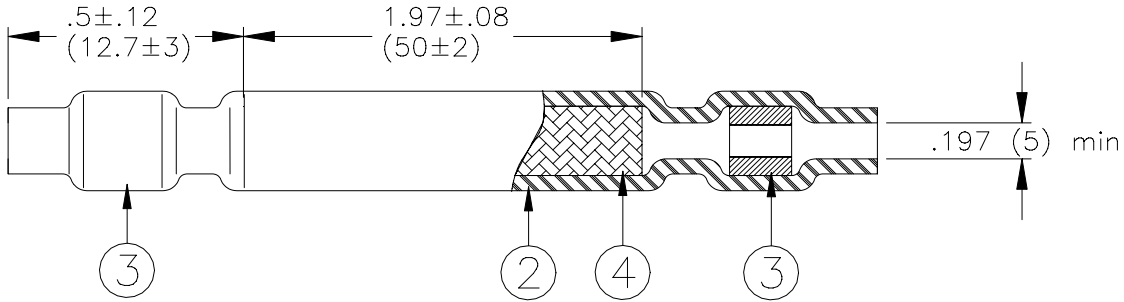


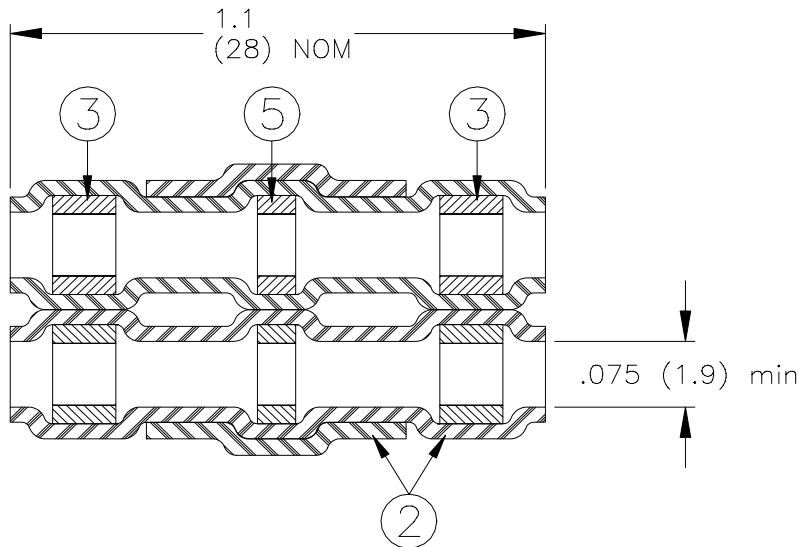
SPECIFICATION CONTROL DRAWING



1) SEALING/STRAIN RELIEF SLEEVE



2) SHIELD SPLICE SLEEVE



3) CONDUCTOR SPLICE ASSEMBLY

tyco <i>Electronics</i>	Tyco Electronics Corporation 300 Constitution Drive, Menlo Park, CA. 94025, U.S.A.	Raychem	TITLE: Soldershield* Splice Kit Single Shielded Databus Cable Soldersleeve* Primary Splice				
Unless otherwise specified dimensions are in millimeters. [Inches dimensions are shown in brackets]			DOCUMENT NO.: D-150-0124				
TOLERANCES: 0.00 N/A 0.0 N/A 0 N/A	ANGLES: N/A ROUGHNESS IN MICRON	Tyco Electronics reserves the right to amend this drawing at any time. Users should evaluate the suitability of the product for their application.		DOC. ISSUE: 1	DATE: 12-Aug-98		
DRAWN BY: R. MAPALO	CAGE CODE: 06090	REPLACES: N/A	DCR NUMBER: D981065	PROD. REV.: SEE TABLE	SCALE: None	SIZE: A	SHEET: 1 of 2

If this document is printed it becomes uncontrolled. Check for the latest revision.

SPECIFICATION CONTROL DRAWING

MATERIAL

1. Heat shrinkable, radiation cross-linked polyolefin with a hot-melt adhesive liner. Color: black.
2. INSULATION SLEEVE: Heat shrinkable, radiation cross-linked modified polyvinylidene fluoride. Transparent blue.
3. MELTABLE RINGS: Fluorocarbon-based thermoplastic.
4. SHIELD: Solder-impregnated, flux-coated copper braid.
SOLDER: Sn63 per ANSI J-STD-006.
FLUX: ROM1 per ANS J-STD-004.
5. SOLDER PREFORM WITH FLUX AND THERMAL INDICATOR:
SOLDER: Sn63 per ANSI J-STD-006.
FLUX: ROL1 per ANS J-STD-004.
THERMAL INDICATOR: Color changes to colorless per NAS-1744.

APPLICATION

1. This kit is for making environment resistant in-line splices in cables having tin, silver or nickel-plated shields, 24 or 22 AWG tin-plated primaries and a temperature rating of at least 125°C.
2. The primary conductors are spliced with item (3).
The cable is shielded with item (2).
3. Splices will meet performance requirements of U.S. Air Force Specification Control Drawing 8340708 when installed in accordance with Raychem Process Standard RCPS-150-01.

DRAWN BY: R. MAPALO	CAGE CODE: 06090	REPLACES: N/A	DCR NUMBER: D981065	PROD. REV.: -	SCALE: None	SIZE: A	SHEET: 2 of 2
------------------------	---------------------	------------------	------------------------	------------------	----------------	------------	------------------

If this document is printed it becomes uncontrolled. Check for the latest revision.

X-ON Electronics

Largest Supplier of Electrical and Electronic Components

Click to view similar products for [Heat Shrink Tubing and Sleeves](#) category:

Click to view products by [TE Connectivity](#) manufacturer:

Other Similar products are found below :

[770-006S102](#) [5685710001](#) [CR8248-000](#) [CR9960-000](#) [603312-4](#) [607381P039](#) [617867N001](#) [6500750004](#) [D-306-38](#) [770-003S106W2](#) [770-005S105W1](#) [770-005S106W1](#) [770-007A303](#) [770-010Y106W1](#) [770-010Y706W1](#) [7771210001](#) [MFP-1/4"-Clear](#) [MFP-3/64"-Clear](#) [790-3012](#) [MFT-MT2000-NO.14-0-SP](#) [MHHT-4-15K2-G-104](#) [MIL-LT-1-1/2-4-SP](#) [MIL-LT-1-1/2-9-STK](#) [MIL-LT-1/2-2-STK](#) [MIL-LT-3-0-SP](#) [MIL-LT-3/32-0-SP](#) [MIL-LT-3/32-6-SP](#) [MIL-LT-3/4-6-SP](#) [MIL-LT-3/8-0-SP](#) [8159270001](#) [839602-000](#) [8423-6](#) [FP301-116-6"-Black](#) [FP301-1/2-48"-Black](#) [FP301-12-48"-Black-Hdr](#) [FP301-1/4-48"-Black](#) [FP301-1/4-48"-White-Hdr](#) [FP301-18-48"-Black-Hdr](#) [FP301-1/8-6"-Black](#) [FP301-18-6"-Black-Bulk](#) [FP301-316-48"-Blue-Hdr](#) [FP301-316-6"-Clear](#) [FP301-332-6"-Black](#) [912229N002](#) [120-126-16BL](#) [121-001-09](#) [121-018-32](#) [121-018-40](#) [121-123-1-1-32BTC](#) [121-123-1-1-40BTC](#)