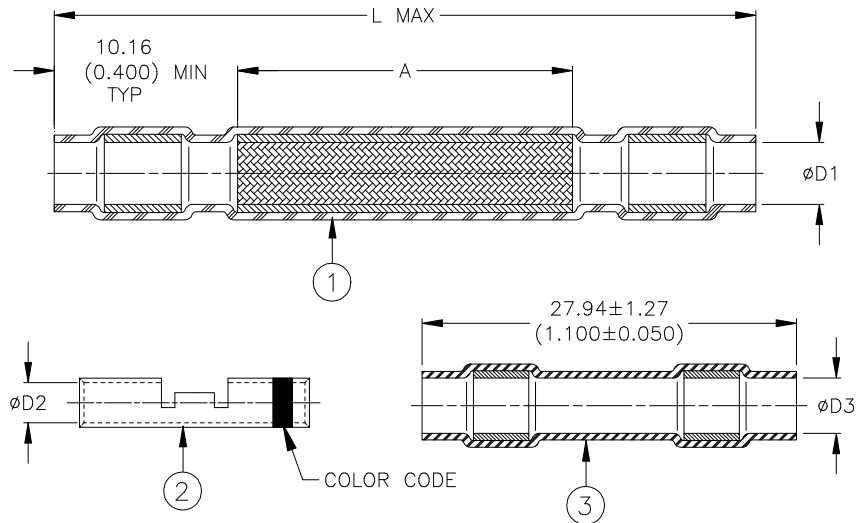


CUSTOMER DRAWING




Part Names	Primary No.	AWG Range	Color Code	Product Dimensions				
				L Max	A±2.54 (0.100)	øD1 Min	øD2 Min	øD3 Min
D-150-0168	1	26-20	Red	80.52 (3.170)	50.30 (1.970)	3.00 (0.118)	1.14 (0.045)	2.79 (0.110)
D-150-0169	1	20-16	Blue	80.52 (3.170)	50.30 (1.970)	4.00 (0.157)	1.63 (0.064)	4.32 (0.170)
D-150-0170	1	16-12	Yellow	80.52 (3.170)	50.30 (1.970)	5.00 (0.197)	2.46 (0.097)	4.32 (0.170)
D-150-0173	2	26-20	Red	105.92 (4.170)	74.93 (2.950)	9.04 (0.356)	1.14 (0.045)	2.16 (0.085)
D-150-0174	2	26-20	Red	105.92 (4.170)	74.93 (2.950)	4.00 (0.157)	1.14 (0.045)	2.16 (0.085)
D-150-0175	2	18-16	Blue	105.92 (4.170)	74.93 (2.950)	5.00 (0.197)	1.63 (0.064)	4.32 (0.170)
D-150-0176	2	14	Yellow	105.92 (4.170)	74.93 (2.950)	6.00 (0.236)	2.46 (0.097)	4.32 (0.170)
D-150-0177	2	12	Yellow	105.92 (4.170)	74.93 (2.950)	9.04 (0.356)	2.46 (0.097)	4.32 (0.170)
D-150-0178	3/4	26-20	Red	105.92 (4.170)	74.93 (2.950)	4.00 (0.157)	1.14 (0.045)	2.16 (0.085)
D-150-0179	3/4	22-20	Red	105.92 (4.170)	74.93 (2.950)	5.00 (0.197)	1.14 (0.045)	2.16 (0.085)
D-150-0180	3/4	18-16	Blue	105.92 (4.170)	74.93 (2.950)	6.00 (0.236)	1.63 (0.064)	4.32 (0.170)
D-150-0181	3/4	14-12	Yellow	105.92 (4.170)	74.93 (2.950)	9.04 (0.356)	2.46 (0.097)	4.32 (0.170)

MATERIALS

- SOLDERSHIELD SPLICE SLEEVE:** Heat-shrinkable, radiation cross-linked modified polyvinylidene fluoride sleeve, containing two environment resistant sealing rings and a solder impregnated, flux-coated copper-wire braid.
Color: Transparent blue.
SOLDER: TYPE Sn63 per ANSI J-STD-006.
FLUX: TYPE ROM1 per ANSI J-STD-004.
- CRIMP SPLICE (1, 2, OR 4 PER KIT):** Tin-plated copper alloy with color code stripe.
- SEALING SPLICE SLEEVE (1, 2, OR 4 PER KIT):** Heat-shrinkable, radiation cross-linked modified polyvinylidene fluoride sleeve, containing two environment resistant sealing rings. Transparent blue.

APPLICATION

- These kits are designed to make an environment-resistant, 1 to 1 in-line splice in shielded single, twisted pair, trio and quad cables having tin or silver-plated conductors and insulations rated for 135°C minimum.
- Temperature rating: -55°C to +150°C.
- For installation procedures refer to the applicable sections of TE Connectivity's Process Standard RCPS 150-02.

			TITLE: (1 TO 1 SPLICES-CRIMP) SOLDERSHIELD SPLICE KIT, SHIELDED CABLE		
Unless otherwise specified dimensions are in millimeters. [Inches dimensions are shown in brackets]		Raychem Devices	DOCUMENT NO.: D-150-0168-0170/0173-0181		
TOLERANCES: 0.00 N/A 0.0 N/A 0 N/A	ANGLES: N/A ROUGHNESS IN MICRON	Tyco Electronics reserves the right to amend this drawing at any time. Users should evaluate the suitability of the product for their application.		REV: M1	DATE: March 5, 2018
PREPARED BY: A.REY	CAGE CODE: 06090	REVISED PER: ECO-18-003345	SCALE: NTS	SIZE: A	SHEET: 1 of 1

X-ON Electronics

Largest Supplier of Electrical and Electronic Components

Click to view similar products for [Solder Sleeves & Shield Tubing](#) category:

Click to view products by [TE Connectivity](#) manufacturer:

Other Similar products are found below :

[899170-000](#) [620040N001](#) [620069N003](#) [CTA-0050-01](#) [629624-000](#) [6500750004](#) [6501390002](#) [CX0781-000](#) [696396-000](#) [697080-000](#) [D-150-0331CS2902](#) [D-181-1222-90/9CS2800](#) [D-300-01CS1108](#) [715325N001](#) [908357N001](#) [982127-1](#) [D-436-0182CS246](#) [D-436-37CS2651](#) [D-436-61CS246](#) [D-436-82-CS2621](#) [D-659-0087](#) [E53797N001](#) [CB0213-000](#) [CB0219-000](#) [S200-2-01](#) [S200-4-00CS2904](#) [LSS-81-16AA-CS5575](#) [ST18-2-00](#) [FLX40-020-04-CS8651](#) [325534-000](#) [CTA-0025](#) [D-108-07CS436](#) [D-128-0010](#) [D-141-0108CS404](#) [D-144-41CS1371](#) [D-150-0231-NRCS2896](#) [D-150-1011](#) [395947-000](#) [427243N001](#) [B-801-18-01](#) [515-9](#) [C67137-000](#) [CB0220-000](#) [D-436-0185CS1102](#) [D-436-36CS2908](#) [D-436-37CS2908](#) [D-436-52CS246](#) [D44133N001](#) [LSS-26-8A](#) [626168-000](#)