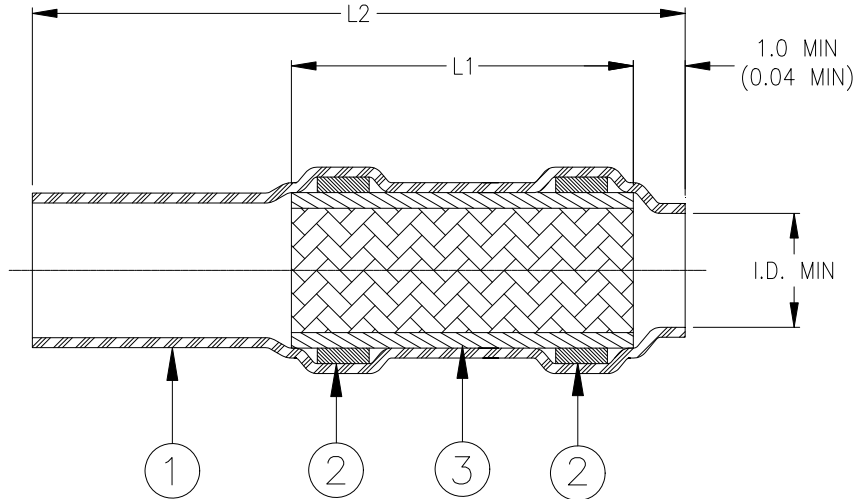


CUSTOMER DRAWING



Product Name	Prod. Rev.	Splice Dimensions			Usable Assembly Diameters		
		I.D. min	L1±1.0 (L1±0.04)	L2 Ref.	Shield Overlap max	Cable min	Jacket Cable max
D-150-1004	A	10.0 (0.390)	10.0 (0.390)	34.0 (1.350)	9.0 (0.355)	4.0 (0.155)	10.0 (0.390)
D-150-1005	A	11.3 (0.445)	14.0 (0.550)	46.0 (1.800)	10.7 (0.420)	5.0 (0.195)	11.3 (0.445)
D-150-1006	A	13.5 (0.530)	14.0 (0.550)	46.0 (1.800)	12.5 (0.490)	6.0 (0.235)	13.5 (0.530)
D-150-1007	A	15.0 (0.590)	14.0 (0.550)	46.0 (1.800)	14.0 (0.550)	7.0 (0.275)	15.0 (0.590)
D-150-1008	A	16.5 (0.650)	14.0 (0.550)	46.0 (1.800)	15.5 (0.610)	8.0 (0.315)	16.5 (0.650)
D-150-1009	A	18.0 (0.710)	16.0 (0.630)	60.0 (2.360)	17.0 (0.670)	9.0 (0.355)	18.0 (0.710)
D-150-1010	A	20.0 (0.790)	16.0 (0.630)	60.0 (2.360)	19.0 (0.750)	10.0 (0.390)	20.0 (0.790)
D-150-1011	A	23.0 (0.905)	16.0 (0.630)	60.0 (2.360)	22.0 (0.865)	11.5 (0.450)	23.0 (0.905)
D-150-1013	A	26.0 (1.020)	16.0 (0.630)	60.0 (2.360)	25.0 (0.985)	14.5 (0.570)	26.0 (1.020)
D-150-1014	A	30.0 (1.180)	20.0 (0.790)	72.0 (2.830)	28.6 (1.125)	18.5 (0.725)	30.0 (1.180)
D-150-1016	A	35.5 (1.400)	20.0 (0.790)	75.0 (2.950)	34.4 (1.355)	19.5 (0.765)	35.5 (1.400)

MATERIALS

1. INSULATION SLEEVE: Heat-shrinkable, translucent natural, radiation cross-linked thermoplastic, polyolefin.
2. SOLDER PREFORM WITH FLUX:
 - SOLDER: TYPE Sn63 per ANSI/J-STD-006.
 - FLUX: TYPE ROM1 per ANSI/J-STD-004.
3. SHIELD: Solder impregnated, flux coated copper wire braid.
 - SOLDER: TYPE Sn63 per ANSI/J-STD-006.
 - FLUX: TYPE ROM1 per ANSI/J-STD-004

APPLICATION

1. These parts are designed to make a termination between the shield of a TE Connectivity backshell adapter and the shield of a cable.
2. Parts may be installed with convection (hot-air) heaters.
3. Temperature Range: -55° C to +135° C.

		Raychem Devices	TITLE: SOLDERSHIELD SPLICE				
Unless otherwise specified dimensions are in millimeters. [Inches dimensions are shown in brackets]			DOCUMENT NO.: D-150-10XX				
TOLERANCES: 0.00 N/A 0.0 N/A 0 N/A	ANGLES: N/A ROUGHNESS IN MICRON	TE Connectivity reserves the right to amend this drawing at any time. Users should evaluate the suitability of the product for their application.	DOC. ISSUE: D2		DATE: 04-Dec-2019		
DRAWN BY: M. FORONDA	DRAWN DATE: ----		CAGE CODE: 06090	ECO NUMBER: ECO-19-018493	PROD. REV.: SEE TABLE	SCALE: None	SIZE: A

X-ON Electronics

Largest Supplier of Electrical and Electronic Components

Click to view similar products for [Solder Sleeves & Shield Tubing](#) category:

Click to view products by [TE Connectivity](#) manufacturer:

Other Similar products are found below :

[899170-000](#) [620040N001](#) [CTA-0050-01](#) [629624-000](#) [6500750004](#) [6501390002](#) [696396-000](#) [697080-000](#) [D-150-0331CS2902](#) [D-300-01CS1108](#) [982127-1](#) [D-436-0182CS246](#) [D-436-37CS2651](#) [D-436-61CS246](#) [D-436-82-CS2621](#) [E53797N001](#) [CB0213-000](#) [S200-2-01](#) [S200-4-00CS2904](#) [ST18-2-00](#) [FLX40-020-04-CS8651](#) [325534-000](#) [CTA-0025](#) [D-108-02CS227](#) [D-108-07CS436](#) [D-128-0010](#) [D-141-0108CS404](#) [D-144-41CS1371](#) [D-150-0231-NRCS2896](#) [D-150-1011CS821](#) [B-801-18-01](#) [515-9](#) [C67137-000](#) [C76473N001](#) [CB0220-000](#) [D-436-0185CS1102](#) [D-436-36CS2908](#) [D-436-37CS2908](#) [D-436-52CS246](#) [D44133N001](#) [LSS-26-8A](#) [626168-000](#) [D-106-2012](#) [D-108-00CS227](#) [D-300-08CS1108](#) [UWCS-2U/7.6-1C/5.8](#) [610001N004](#) [620026-000](#) [B-004-00](#) [622041N003](#)