



Terminals & Splices > Splices



Splice Product Type: **SolderSleeve Wire Splice**

Terminal & Splice Type: **Splice**

Sealable: **Yes**

Splice Wire Insulation Diameter (Max): **1.9 mm [ .075 in ]**

Wire Size: **350 – 2000 CMA**

## Features

### Product Type Features

Splice Product Type	SolderSleeve Wire Splice
Sealable	Yes
Splice Type	In-Line Splice
Serrated	No
Splice Barrel Type	Open Barrel
Insulated	Yes

### Body Features

Insulation Sleeve Material	Polyvinylidene Fluoride
Weight per Piece	1 g
Plating Material	Tin/Silver
Insulation Material	Heat Shrink Radiation-Crosslinked Modified Polyvinylidene Fluoride

### Contact Features

Terminal & Splice Type	Splice
------------------------	--------

### Termination Features

Termination Method	Solder
--------------------	--------

### Dimensions

Splice Wire Insulation Diameter (Max)	1.9 mm[.075 in]
Wire Size	350 – 2000 CMA



Splice Overall Length	29.7 mm[1.17 in]
-----------------------	------------------

### Usage Conditions

Insulation Requirement	Fully Insulated
Cable Temperature Rating	125 °C
Fluid Resistance	Immersion
Operating Temperature Range	-55 – 150 °C[-67 – 302 °F]

### Industry Standards

Government Qualified Splice	No
-----------------------------	----

### Packaging Features

Packaging Quantity	100
Splice Packaging Method	Package

### Other

Barrel Color	Clear
--------------	-------

## Product Compliance

[For compliance documentation, visit the product page on TE.com>](#)

EU RoHS Directive 2011/65/EU	Not Compliant
EU ELV Directive 2000/53/EC	Not Compliant
China RoHS 2 Directive MIIT Order No 32, 2016	Restricted Materials Above Threshold
EU REACH Regulation (EC) No. 1907/2006	Current ECHA Candidate List: JAN 2021 (211) Candidate List Declared Against: JAN 2021 (211) SVHC > Threshold: Pb (37% in Solder) <b>Article Safe Usage Statements:</b> Do not eat, drink or smoke when using this product. Wash thoroughly after handling. Recycle if possible and dispose of the article by following all applicable governmental regulations relevant to your geographic location.
Halogen Content	BFR/CFR/PVC Free, but Br/Cl >900 ppm in other sources.
Solder Process Capability	Not applicable for solder process capability

#### Product Compliance Disclaimer

This information is provided based on reasonable inquiry of our suppliers and represents our current actual knowledge based on the information they provided. This information is subject to change. The part numbers that TE has identified as EU RoHS compliant have a maximum concentration of 0.1% by weight in homogenous materials for lead, hexavalent chromium, mercury, PBB, PBDE, DBP, BBP, DEHP, DIBP, and 0.01% for cadmium, or qualify for an exemption to these limits as defined in the Annexes of Directive 2011/65/EU (RoHS2). Finished electrical and electronic equipment products will be CE marked as required by Directive 2011/65/EU. Components may not be CE marked. Additionally, the part numbers that TE has identified as EU ELV compliant have a maximum concentration of 0.1% by weight in homogenous

materials for lead, hexavalent chromium, and mercury, and 0.01% for cadmium, or qualify for an exemption to these limits as defined in the Annexes of Directive 2000/53/EC (ELV). Regarding the REACH Regulation, the information TE provides on SVHC in articles for this part number is based on the latest European Chemicals Agency (ECHA) 'Guidance on requirements for substances in articles' posted at this URL: <https://echa.europa.eu/guidance-documents/guidance-on-reach>

## Compatible Parts



TE Part # CJ2087-000  
HL2010E-KIT-120V

## Customers Also Bought



TE Part #205560-2  
AMPLIMITE,ASY,PLUG,STD,109,3



TE Part #205555-2  
AMPLIMITE,ASY,RCPT,STD,109,1



TE Part #205556-2  
AMPLIMITE,ASY,PLUG,STD,109,1



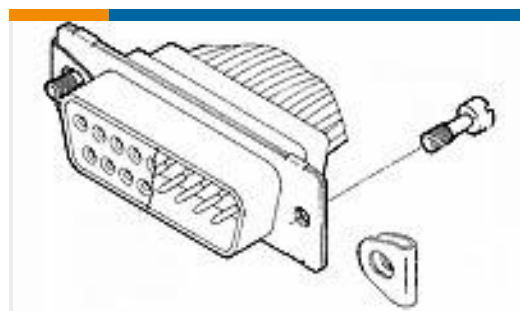
TE Part #1-770250-0  
UMNL II PIN SN/AUNI/BR LP20-14



TE Part #1757836-5  
AMPLIMITE,R/A RCPT ASY,109,ZN,5



TE Part #1617030-9  
HFW1201D00 = HFW 1/2 SIZE RELA



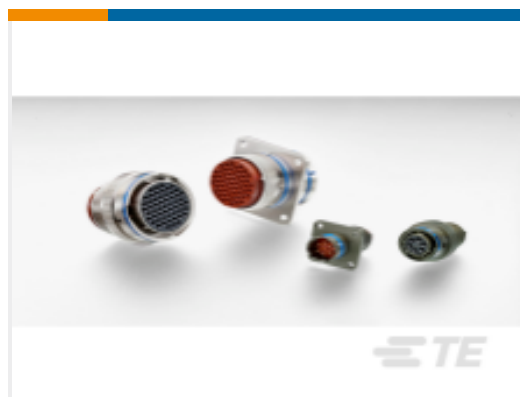
TE Part #211883-5  
SCREW RETAINER KIT,AMPLIMITE



TE Part #225107-000  
D-1744-04



TE Part #1532180-4  
M83513/03-B04N, MCKS-N1-B-15P6G9-36.0



TE Part #YAFD56-10-6SNC1270  
PLUG ASSY

## Documents

### Product Drawings

D-1744-01



English

---

**Datasheets & Catalog Pages**

[Harness Repair Products Quick Reference Guide](#)

English

---

**Product Specifications**

[Product Specification](#)

English

[Installation Procedure for Products Designed for In-Line Splice Installed with Hot Air Gun](#)

English

## X-ON Electronics

Largest Supplier of Electrical and Electronic Components

*Click to view similar products for [Solder Sleeves & Shield Tubing](#) category:*

*Click to view products by [TE Connectivity](#) manufacturer:*

Other Similar products are found below :

[899170-000](#) [620040N001](#) [620069N003](#) [CTA-0050-01](#) [629624-000](#) [6500750004](#) [6501390002](#) [CX0781-000](#) [696396-000](#) [697080-000](#) [D-150-0331CS2902](#) [D-181-1222-90/9CS2800](#) [D-300-01CS1108](#) [715325N001](#) [908357N001](#) [982127-1](#) [D-436-0182CS246](#) [D-436-37CS2651](#) [D-436-61CS246](#) [D-436-82-CS2621](#) [D-659-0087](#) [E53797N001](#) [CB0213-000](#) [CB0219-000](#) [S200-2-01](#) [S200-4-00CS2904](#) [LSS-81-16AA-CS5575](#) [ST18-2-00](#) [FLX40-020-04-CS8651](#) [325534-000](#) [CTA-0025](#) [D-108-07CS436](#) [D-128-0010](#) [D-141-0108CS404](#) [D-144-41CS1371](#) [D-150-0231-NRCS2896](#) [D-150-1011](#) [395947-000](#) [427243N001](#) [B-801-18-01](#) [515-9](#) [C67137-000](#) [CB0220-000](#) [D-436-0185CS1102](#) [D-436-36CS2908](#) [D-436-37CS2908](#) [D-436-52CS246](#) [D44133N001](#) [LSS-26-8A](#) [626168-000](#)