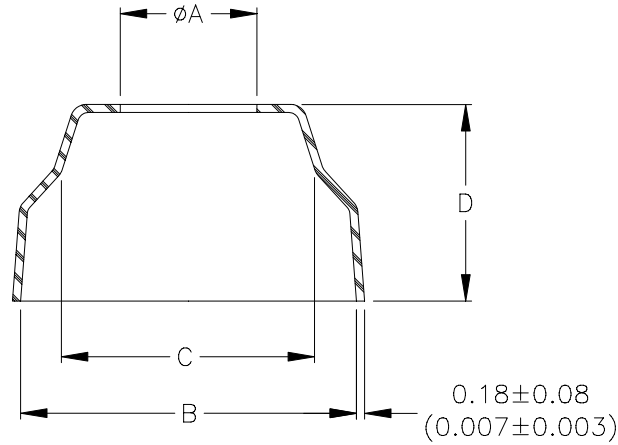


SPECIFICATION CONTROL DRAWING



Product Revision		Product Dimensions			
Product Name		A max	B±0.38 (B±0.015)	C±0.38 (C±0.015)	D±0.64 (D±0.025)
D-306-03	J	6.35 (0.250)	10.41 (0.410)	8.51 (0.335)	8.76 (0.345)
D-306-04	K	3.81 (0.150)	6.48 (0.255)	5.08 (0.200)	6.60 (0.260)

MATERIAL

- INSULATION SLEEVE: Semi-rigid, irradiated modified polyolefin in accordance with SAE-AMS-23053/6, Class 2. Color: natural.

tyco / Electronics / Raychem 307 Constitution Drive Menlo Park, CA 94025, USA		Wire and Harnessing Products		TITLE: (CRN) PREFORMED INSULATOR FOR TO-5/-18			
Unless otherwise specified dimensions are in millimeters. Inches dimensions are in between brackets.				DOCUMENT NO.: D-306-03/-04			
TOLERANCES: 0.00 N/A 0.0 N/A 0 N/A	ANGLES: N/A ROUGHNESS IN MICRON	Tyco Electronics reserves the right to amend this drawing at any time. Users should evaluate the suitability of the product for their application.		DCR NUMBER: D010119		REPLACES: N/A	
DRAWN BY: M. FORONDA	DATE: 11-Apr.-01	PROD. REV. SEE TABLE		DOC ISSUE: 1	SCALE: None	SIZE: A	SHEET: 1 of 1

If this document is printed it becomes uncontrolled. Check for the latest revision.

X-ON Electronics

Largest Supplier of Electrical and Electronic Components

Click to view similar products for [Heat Shrink Tubing and Sleeves](#) category:

Click to view products by [TE Connectivity](#) manufacturer:

Other Similar products are found below :

[5685710001](#) [CR9960-000](#) [5734012004](#) [607381P039](#) [611112-000](#) [6284592002](#) [CX4711-000](#) [CZ1420-000](#) [D-306-38](#) [770-006S302](#) [770-020S705](#) [MFP-3/64"-Clear](#) [790-3012](#) [MHHT-4-15K2-G-104](#) [8003012003](#) [MIL-LT-1-1/2-4-SP](#) [MIL-LT-1-1/2-9-STK](#) [MIL-LT-1/2-2-STK](#) [MIL-LT-3-0-SP](#) [MIL-LT-3/32-0-SP](#) [MIL-LT-3/32-6-SP](#) [MIL-LT-3/4-4-STK](#) [MIL-LT-3/4-6-SP](#) [839602-000](#) [8423-6](#) [FP301-116-48"-Clear](#) [FP301-12-6"-Clear](#) [FP301-1/4-48"-White-Hdr](#) [FP301-18-48"-Black-Hdr](#) [FP301-1/8-6"-Black](#) [FP301-18-6"-Black-Bulk](#) [FP301-316-48"-Blue-Hdr](#) [912229N002](#) [R280637030](#) [HDCW-5515-1000](#) [HDT-0300-48A-BLACK](#) [HDT-0400-48A-Black](#) [HDT-0800-48A-RED](#) [HDT1100-48A-BLK](#) [HDT1500-48A-BLK](#) [HDT-2000-48A-Black](#) [RHW-70/20-1200/ADH-0](#) [DWP-125-0.450-4-55MM-CS879](#) [156082-000](#) [MT5500-3/8-X-SP](#) [MT-FEP-045-032-008-X-60IN](#) [EPS200-1/4-48"-Black](#) [EPS200-1-48"-Black](#) [EPS200-3/16-48"-Black](#) [EPS200-38-48"-Black-Bulk](#)