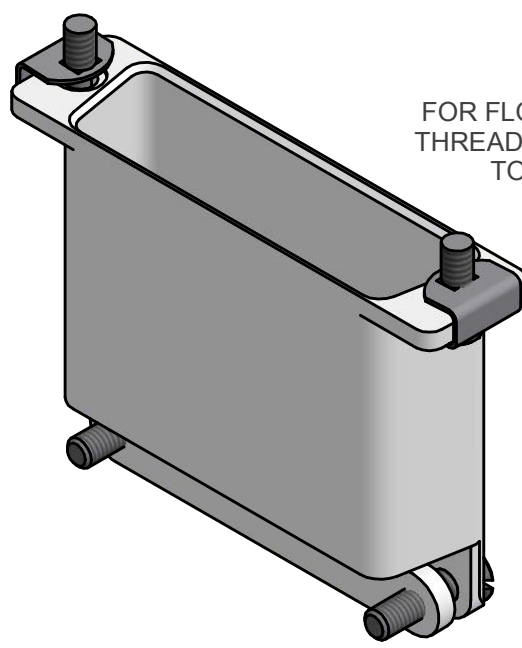
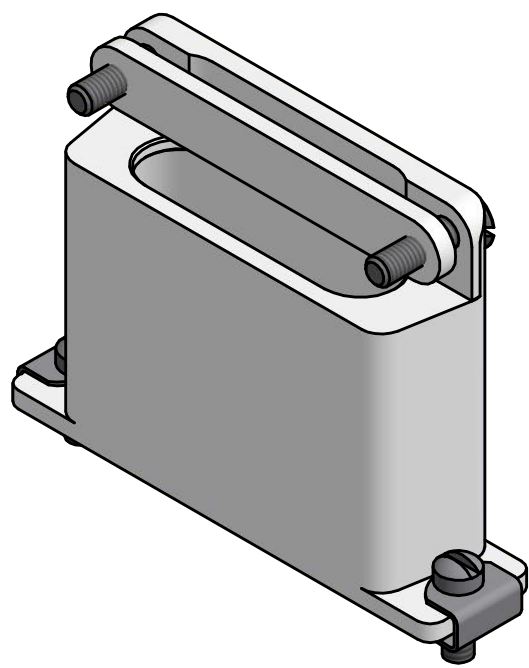
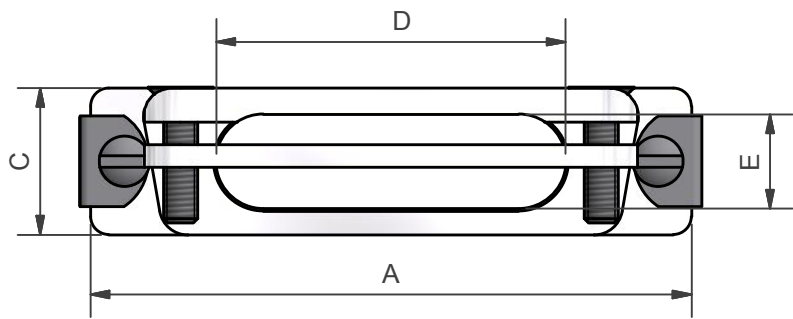
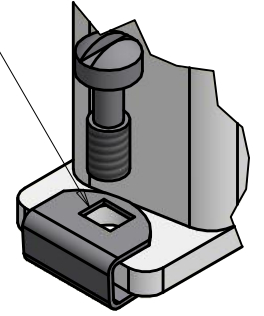


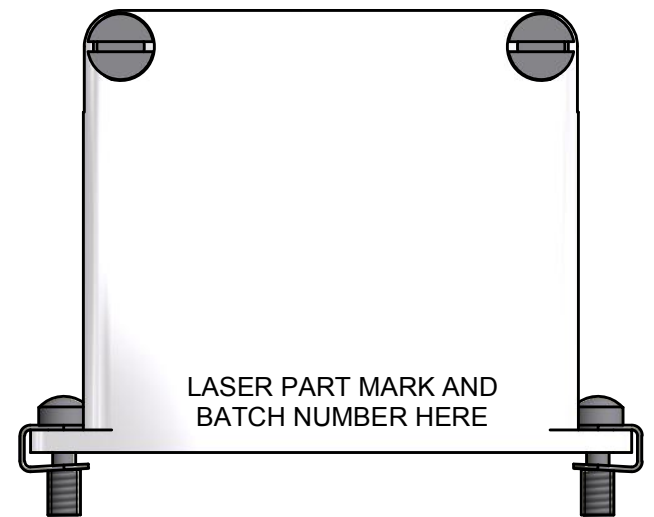
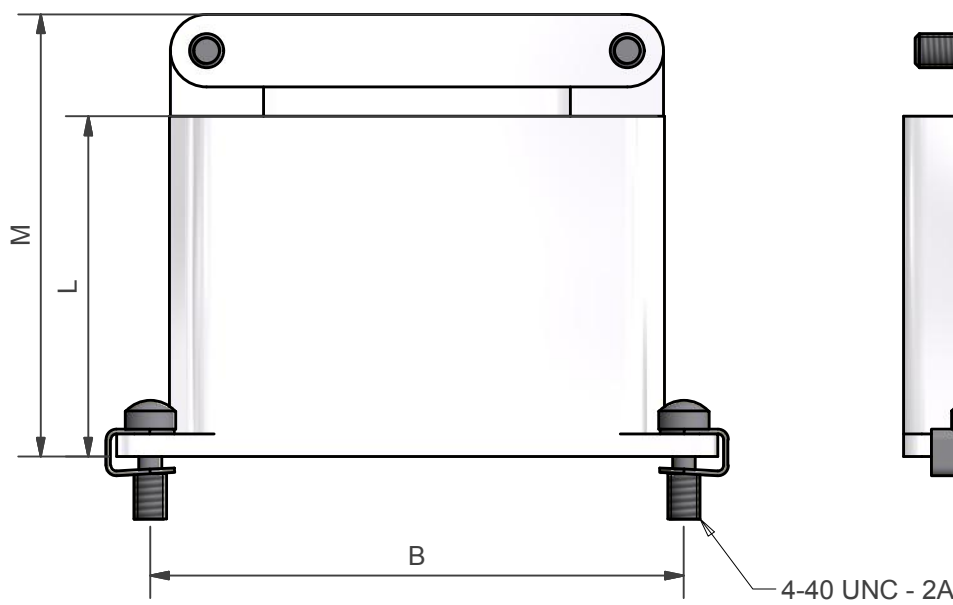
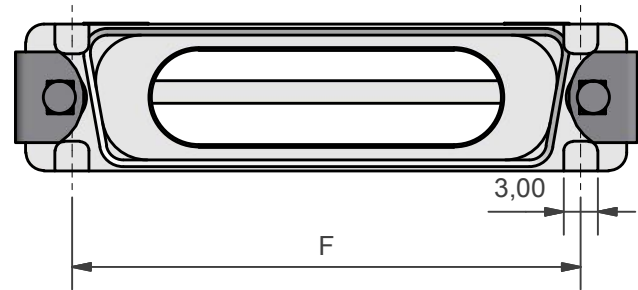
# FLOATING SCREW INSTALLATION GUIDE



FOR FLOATING SCREW ENSURE  
THREAD FEATURE ON CLIP IS ON  
TOP SIDE OF FLANGE

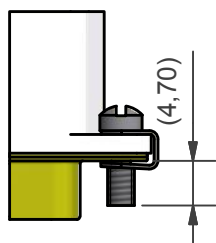


**T OPTION**  
PROVIDES CUTOUTS IN ORDER TO  
ACCOMMODATE TABS

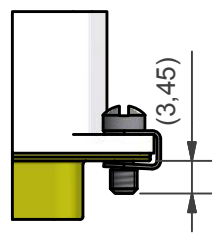


## HARDWARE OPTIONS

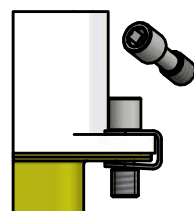
CODE: (NO CODE)  
STANDARD  
SLOTTED  
HEAD SCREW



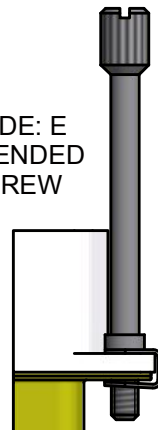
CODE: SSL  
SHORT  
SLOTTED  
HEAD SCREW



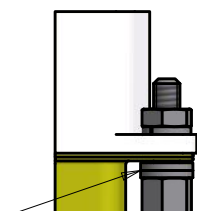
CODE: H  
HEX SOCKET  
HEAD SCREW



CODE: E  
EXTENDED  
SCREW

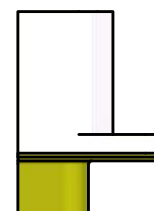


CODE: PF  
JACK POST  
(4-40 UNC)



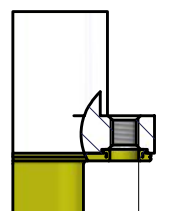
WASHERS  
WASHERS  
SHOWN FOR  
REFERENCE  
ONLY

CODE: PF-0  
THREADED  
HOLE  
4-40 UNC



4-40UNC - 2B  
NOT  
SUPPLIED  
WITH  
HARDWARE

CODE: M3-0  
THREADED  
HOLE  
M3



M3x0.5 - 6H  
NOT  
SUPPLIED  
WITH  
HARDWARE

ORDERS CANNOT BE PLACED AGAINST ALPHA ISSUED DRAWINGS.  
ON RECEIPT OF CUSTOMER APPROVAL, THE DRAWING STATUS WILL BE RAISED TO ISSUE 1.



<table border="1"> <tr> <td>DRAWN</td> <td>N.HAWKINS</td> <td>DATE</td> <td>07/03/2017</td> </tr> <tr> <td>SALES APPR</td> <td></td> <td>DATE</td> <td>07/03/2017</td> </tr> <tr> <td>DESIGN APPR</td> <td>J-LM</td> <td></td> <td></td> </tr> <tr> <td>PROD APPR</td> <td></td> <td></td> <td></td> </tr> <tr> <td>QUAL APPR</td> <td></td> <td></td> <td></td> </tr> <tr> <td>ISSUE</td> <td>REV.</td> <td colspan="2">DCR</td> </tr> <tr> <td>4</td> <td>3</td> <td colspan="2">4828</td> </tr> <tr> <td colspan="2">NCAGE CODE U5792</td> <td>WEIGHT</td> <td></td> </tr> </table>	DRAWN	N.HAWKINS	DATE	07/03/2017	SALES APPR		DATE	07/03/2017	DESIGN APPR	J-LM			PROD APPR				QUAL APPR				ISSUE	REV.	DCR		4	3	4828		NCAGE CODE U5792		WEIGHT		<p>3RD ANGLE PROJECTION NOT TO SCALE</p> <p>UNLESS OTHERWISE SPECIFIED ALL DIMENSIONS IN MILLIMETRES GENERAL TOL LINEAR +/-0,25MM ANGULAR +/- 1°</p> <p><b>MATERIAL</b> SEE PART NUMBER BREAKDOWN</p> <p><b>FINISH</b> SEE PART NUMBER BREAKDOWN</p>	<p>PART NUMBER: <b>D**-1-96-*-** SERIES</b></p> <p>TITLE: <b>STRAIN RELIEF BACKSHELL</b></p> <p>ASSY USED ON: MIL-DTL-24308</p>	 <p>Polamco</p>  <p>TE connectivity</p>
DRAWN	N.HAWKINS	DATE	07/03/2017																																
SALES APPR		DATE	07/03/2017																																
DESIGN APPR	J-LM																																		
PROD APPR																																			
QUAL APPR																																			
ISSUE	REV.	DCR																																	
4	3	4828																																	
NCAGE CODE U5792		WEIGHT																																	
<p>THIS DRAWING IS COPYRIGHT AND THE PROPERTY OF POLAMCO LTD IT MUST NOT BE COPIED, USED FOR MANUFACTURE OR OTHERWISE DISCLOSED WITHOUT PRIOR WRITTEN CONSENT OF THE COMPANY.</p>		<p>POLAMCO LTD, WESTON LOCK, LOWER BRISTOL ROAD BATH BA2 1EP</p>	<p>SHT 1</p> <p>DRAWING NO: P15076</p>																																

TABLE 1								
SHELL SIZE	A	B	C	D	E	F	L	M
09	31,19	25,00	12,93	8,8	8,3	22,86	20,0	29,0
15	39,52	33,33	12,93	17,1	8,3	31,09	30,0	39,0
25	53,42	47,02	12,93	30,8	8,3	44,86	30,0	39,0
37	69,76	63,50	12,93	46,0	8,3	61,32	30,0	39,0
50	67,31	61,12	15,75	44,3	10,7	58,98	30,0	39,0
104	67,90	63,50	17,35	46,0	12,6	NA	30,0	39,0

TABLE 2	
CODE	FINISH
C	ELECTROLESS NICKEL
B	CADMIUM OLIVE DRAB OVER ELECTROLESS NICKEL
ZN	ZINC NICKEL BLACK PASSIVATE OVER ELECTROLESS NICKEL
CHP	ELECTROLESS NICKEL, HIGH PHOSPHOR
Y	YELLOW CHROMATE OVER CADMIUM
GOLD	GOLD OVER ELECTROLESS NICKEL

**D25-1-96-1-C-T-H**

SERIES \_\_\_\_\_

SHELL SIZE (TABLE 1) \_\_\_\_\_

ANGLE (TOP ENTRY) \_\_\_\_\_

TERMINATION STYLE (96 SERIES) \_\_\_\_\_

MATERIAL (ALUMINIUM ALLOY) \_\_\_\_\_

FINISH (TABLE 2) \_\_\_\_\_

T OPTION (NOT AVAILABLE ON #104) \_\_\_\_\_

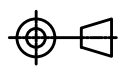


    OMIT FOR STANDARD FLANGE

HARDWARE OPTION \_\_\_\_\_

(H - SOCKET HEAD SCREWS)

(0 - NO HARDWARE)

LEAVE BLANK FOR SLOTTED HEAD SCREWS

DRAWN	N.HAWKINS	DATE	07/03/2017	 3RD ANGLE PROJECTION NOT TO SCALE	PART NUMBER:				 Polamco
SALES APPR		DATE	07/03/2017		D**-1-96-*-** SERIES				
DESIGN APPR	J-LM			UNLESS OTHERWISE SPECIFIED ALL DIMENSIONS IN MILLIMETRES GENERAL TOL LINEAR +/-0,25MM ANGULAR +/- 1°	TITLE:				 TE connectivity
PROD APPR					STRAIN RELIEF BACKSHELL				
QUAL APPR				<b>MATERIAL</b> SEE PART NUMBER BREAKDOWN  <b>FINISH</b> SEE PART NUMBER BREAKDOWN	ASSY USED ON: MIL-DTL-24308				THIS DRAWING IS COPYRIGHT AND THE PROPERTY OF POLAMCO LTD IT MUST NOT BE COPIED, USED FOR MANUFACTURE OR OTHERWISE DISCLOSED WITHOUT PRIOR WRITTEN CONSENT OF THE COMPANY.
ISSUE	REV.	DCR			POLAMCO LTD, WESTON LOCK, LOWER BRISTOL ROAD, BATH BA2 1EP		SHT	DRAWING NO:	
4	3	4828				2	P15076		
NCAGE CODE U5792		WEIGHT							

## X-ON Electronics

Largest Supplier of Electrical and Electronic Components

*Click to view similar products for [D-Sub MIL Spec Connectors](#) category:*

*Click to view products by [TE Connectivity](#) manufacturer:*

Other Similar products are found below :

[M85049/50-5F](#) [D38999/24WG11PB-LC](#) [MDM-9SH006A](#) [1218697-4](#) [D38999/26WJ61PC L/C](#) [1484349-1](#) [17D25HV](#) [1996840-1](#) [243082-15](#)  
[1757682-1](#) [17D-E51218-1](#) [17SDA15S](#) [1883533-1](#) [1883886-1](#) [1883889-1](#) [192900-0377](#) [M24308/8-347](#) [M83513/03-E09C](#) [443961-3](#) [5-](#)  
[1218949-1](#) [550-031NF1R6K](#) [3-1236089-2](#) [550E001NF1R3J0L](#) [550T001NF1R6K0L](#) [557T283NF5B08](#) [DB121073-56](#) [DC121073157](#)  
[443869-3](#) [443869-4](#) [443869-5](#) [550S004NF1R1B0F03](#) [557E283NF1A06](#) [527-019NF0303R2K1F](#) [5-446405-1](#) [550-031NF1R2E](#)  
[550E003M2R9J0F04](#) [550E003M3R9J0F05](#) [550E024M104R9J0](#) [550E024NF102R3J0B](#) [550E039NF1R3J1-02](#) [550S003M3R9B0F05](#)  
[550S004M4R7M0F04](#) [550S004NF1R1B1F02](#) [550S008M3F0K0F04](#) [550S086M5R3J0L](#) [550S100NF3F0E](#) [550T001M2R7E0L](#)  
[550T001NF1F0B1L](#) [550T001NF1R1K0G](#) [550T001NF1R3K0G](#)