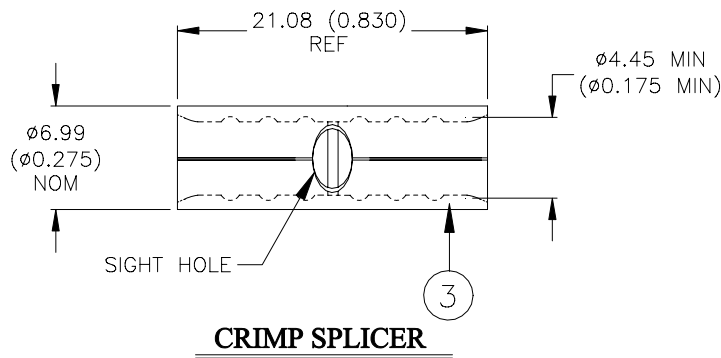
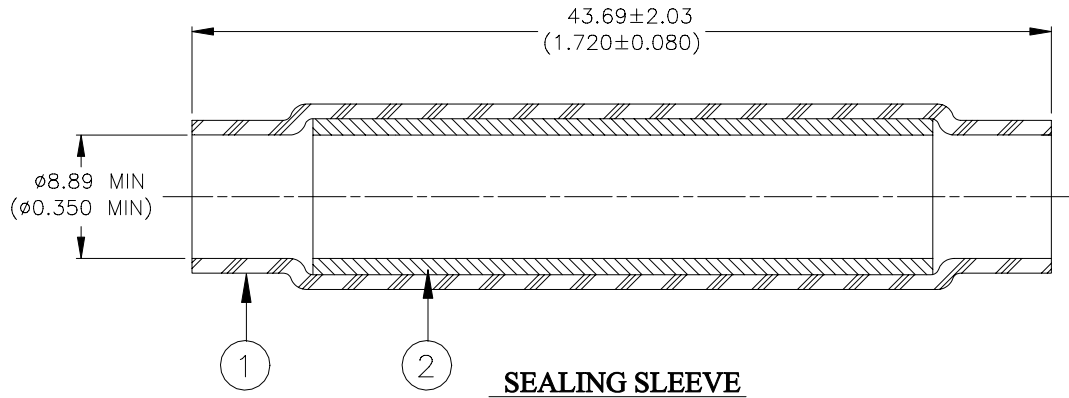


## SPECIFICATION CONTROL DRAWING



### **MATERIALS**

1. INSULATION SLEEVE: Heat-shrinkable, transparent blue, radiation cross-linked modified polyvinylidene fluoride.
2. MELTABLE INSERT: Immersion resistant fluorocarbon-based thermoplastic, color-natural.
3. CRIMP SPLICER: Base Metal: Copper Alloy 110 per ASTM B-152.  
Plating: Tin plated per MIL-T-10727  
Wire Size Range: 6.64 – 10.5mm<sup>2</sup> (13100 – 20800 CMA, 8 AWG) Solid or Stranded.

### **APPLICATION**

1. This device is designed to provide immersion resistant 1 to 1 splices in wires having insulation diameter between 1.91 (0.075) and 8.26 (0.325) and rated for at least 135°C and conductors falling within the wire size range as listed above.
2. Splicer to be installed with AMP 69355 (or equivalent) tool. Sealing sleeve may be installed with convection heaters.
3. Free recovered I.D. of Sealing sleeve is 1.91 (0.075) max. (through inserts).

|   |   |  |   |                  |                 |                   |                  |
|---|---|--|---|------------------|-----------------|-------------------|------------------|
| <b>tyco / Electronics / Raychem</b><br>307 Constitution Drive Menlo Park, CA 94025, USA                 |   | <b>Wire and<br/>Harnessing<br/>Products</b>  | TITLE:<br><b>IN-LINE CRIMP SPLICE, 1 TO 1,<br/>8 AWG , TIN PLATED</b> |                  |                 |                   |                  |
| Unless otherwise specified dimensions are in millimeters.<br>Inches dimensions are in between brackets. |   |  | DOCUMENT NO.: <b>D-436-0081</b>                                       |                  |                 |                   |                  |
| TOLERANCES:<br>0.00 N/A<br>0.0 N/A<br>0 N/A   | ANGLES: N/A<br><br>ROUGHNESS IN<br>MICRON | Tyco Electronics reserves the right to amend this drawing at any time. Users should evaluate the suitability of the product for their application. |   |                  | DOC ISSUE:<br>0 | DATE:<br>3-Oct-01 |                  |
| DRAWN BY:<br>M. FORONDA   | CAGE CODE:<br>06090                       | REPLACES:<br>N/A   | DCR NUMBER:<br>D010495  | PROD. REV.:<br>B | SCALE:<br>None  | SIZE:<br>A        | SHEET:<br>1 of 1 |

If this document is printed it becomes uncontrolled. Check for the latest revision.

## X-ON Electronics

Largest Supplier of Electrical and Electronic Components

*Click to view similar products for [Solder Sleeves & Shield Tubing](#) category:*

*Click to view products by [TE Connectivity](#) manufacturer:*

Other Similar products are found below :

[899170-000](#) [620040N001](#) [620069N003](#) [CTA-0050-01](#) [629624-000](#) [6500750004](#) [6501390002](#) [CX0781-000](#) [696396-000](#) [697080-000](#) [D-150-0331CS2902](#) [D-181-1222-90/9CS2800](#) [D-300-01CS1108](#) [715325N001](#) [908357N001](#) [982127-1](#) [D-436-0182CS246](#) [D-436-37CS2651](#) [D-436-61CS246](#) [D-436-82-CS2621](#) [D-659-0087](#) [E53797N001](#) [CB0213-000](#) [CB0219-000](#) [S200-2-01](#) [S200-4-00CS2904](#) [LSS-81-16AA-CS5575](#) [ST18-2-00](#) [FLX40-020-04-CS8651](#) [325534-000](#) [CTA-0025](#) [D-108-07CS436](#) [D-128-0010](#) [D-141-0108CS404](#) [D-144-41CS1371](#) [D-150-0231-NRCS2896](#) [D-150-1011](#) [395947-000](#) [427243N001](#) [B-801-18-01](#) [515-9](#) [C67137-000](#) [CB0220-000](#) [D-436-0185CS1102](#) [D-436-36CS2908](#) [D-436-37CS2908](#) [D-436-52CS246](#) [D44133N001](#) [LSS-26-8A](#) [626168-000](#)