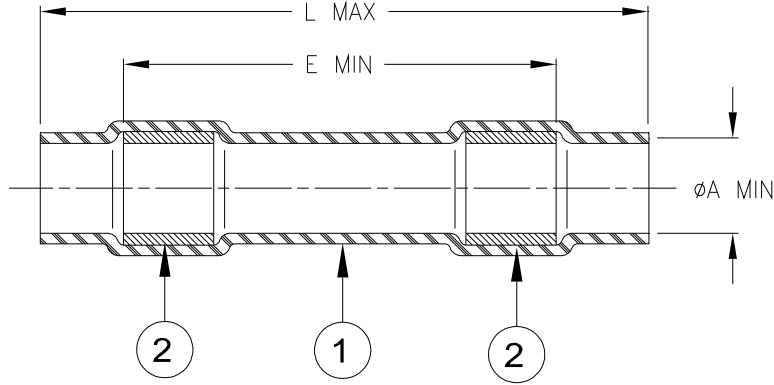


SPECIFICATION CONTROL DRAWING



Product Name	Prod. Rev.	Product Dimensions			Wire Dimensions		Color
		L max	E min	øA min	øD		
					min	max	
D-436-0096	Q	29.2 (1.150)	24.15 (0.950)	2.16 (0.085)	0.63 (0.025)	2.16 (0.085)	Red
D-436-0097	S	29.2 (1.150)	24.15 (0.950)	2.80 (0.110)	0.63 (0.025)	2.80 (0.110)	Blue
D-436-0098	D	29.2 (1.150)	24.15 (0.950)	4.32 (0.170)	0.63 (0.025)	4.32 (0.170)	Yellow

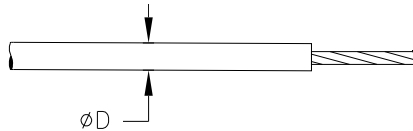
MATERIALS



1. INSULATION SLEEVE: Heat-shrinkable, transparent blue, radiation cross-linked modified polyvinylidene fluoride.
2. SEALING RINGS: Immersion resistant thermoplastic. Color: one clear, one color coded (see table).

APPLICATION

1. These parts are designed to provide an immersion resistant seal on 1 to 1 splices made of wires having an insulation rated for at least +135°C.
2. Temperature range: -55°C to +150°C.
3. Parts may be installed by convection heating.

Wire dimension:



		TE Connectivity 300 Constitution Drive, Menlo Park, CA. 94025, U.S.A.		TITLE: SEALING SLEEVE			
Unless otherwise specified dimensions are in millimeters. [Inches dimensions are shown in brackets]				DOCUMENT NO.: D-436-0096/-0098			
TOLERANCES: 0.00 N/A 0.0 N/A 0 N/A	ANGLES: N/A ROUGHNESS IN MICRON	TE Connectivity reserves the right to amend this drawing at any time. Users should evaluate the suitability of the product for their application.		PROD. REV.: SEE TABLE	DOC. ISSUE: 4	DATE: 16-Apr-11	
PREPARED BY: mforonda	DCR NUMBER: D050379	REPLACES: D981035		CAGE CODE: 06090	SCALE: ---	SIZE: A	SHEET: 1 of 1

Print Date: 9-May-11

© 2011 Tyco Electronics Corporation, a TE Connectivity Ltd. Company. All Rights Reserved.

If this document is printed it becomes uncontrolled. Check for the latest revision.

X-ON Electronics

Largest Supplier of Electrical and Electronic Components

Click to view similar products for [Solder Sleeves & Shield Tubing](#) category:

Click to view products by [TE Connectivity](#) manufacturer:

Other Similar products are found below :

[899170-000](#) [620040N001](#) [620069N003](#) [CTA-0050-01](#) [629624-000](#) [6500750004](#) [6501390002](#) [CX0781-000](#) [696396-000](#) [697080-000](#) [D-150-0331CS2902](#) [D-181-1222-90/9CS2800](#) [D-300-01CS1108](#) [715325N001](#) [908357N001](#) [982127-1](#) [D-436-0182CS246](#) [D-436-37CS2651](#) [D-436-61CS246](#) [D-436-82-CS2621](#) [D-659-0087](#) [E53797N001](#) [CB0213-000](#) [CB0219-000](#) [S200-2-01](#) [S200-4-00CS2904](#) [LSS-81-16AA-CS5575](#) [ST18-2-00](#) [FLX40-020-04-CS8651](#) [325534-000](#) [CTA-0025](#) [D-108-07CS436](#) [D-128-0010](#) [D-141-0108CS404](#) [D-144-41CS1371](#) [D-150-0231-NRCS2896](#) [D-150-1011](#) [395947-000](#) [427243N001](#) [B-801-18-01](#) [515-9](#) [C67137-000](#) [CB0220-000](#) [D-436-0185CS1102](#) [D-436-36CS2908](#) [D-436-37CS2908](#) [D-436-52CS246](#) [D-436-83CS2705](#) [D44133N001](#) [LSS-26-8A](#)