



Terminals & Splices > Splices



Splice Product Type: **Splice**

Terminal & Splice Type: **Splice**

Wire Size: **2.62 – 6.64 mm<sup>2</sup>**

Sealable: **Yes**

## Features

### Product Type Features

|                        |                        |
|------------------------|------------------------|
| Splice Product Type    | Splice                 |
| Sealable               | Yes                    |
| Splice Type            | In-Line Splice         |
| Serrated               | Yes                    |
| Splice Accessory Type  | Splice                 |
| Splice Barrel Type     | Closed Barrel          |
| Splice Wire/Cable Type | Insulated Wire         |
| Insulated              | Yes                    |
| Support Style          | Non-Insulation Support |

### Configuration Features

|                      |   |
|----------------------|---|
| Number of Serrations | 0 |
|----------------------|---|

### Body Features

|                     |                         |
|---------------------|-------------------------|
| Insulation Material | Modified Polyvinylidene |
| Splice Features     | Splice Kit              |
| Splice Material     | Tin-Plated Copper       |

### Contact Features

|                        |        |
|------------------------|--------|
| Terminal & Splice Type | Splice |
|------------------------|--------|

### Dimensions

|           |                  |
|-----------|------------------|
| Wire Size | 5180 – 13100 CMA |
|-----------|------------------|



|                        |                  |
|------------------------|------------------|
| Barrel Inside Diameter | 3.28 mm[.129 in] |
|------------------------|------------------|

|                       |                   |
|-----------------------|-------------------|
| Splice Overall Length | 34.29 mm[1.35 in] |
|-----------------------|-------------------|

### Usage Conditions

|                        |                 |
|------------------------|-----------------|
| Insulation Requirement | Fully Insulated |
|------------------------|-----------------|

|                             |                            |
|-----------------------------|----------------------------|
| Operating Temperature Range | -55 – 150 °C[-67 – 302 °F] |
|-----------------------------|----------------------------|

### Operation/Application

|            |    |
|------------|----|
| Heavy Duty | No |
|------------|----|

### Industry Standards

|                             |    |
|-----------------------------|----|
| Government Qualified Splice | No |
|-----------------------------|----|

### Packaging Features

|                         |         |
|-------------------------|---------|
| Splice Packaging Method | Bag/Box |
|-------------------------|---------|

## Product Compliance

[For compliance documentation, visit the product page on TE.com>](#)

|                              |           |
|------------------------------|-----------|
| EU RoHS Directive 2011/65/EU | Compliant |
|------------------------------|-----------|

|                             |           |
|-----------------------------|-----------|
| EU ELV Directive 2000/53/EC | Compliant |
|-----------------------------|-----------|

|   |   |
|---|---|
| China RoHS 2 Directive MIIT Order No 32, 2016 | No Restricted Materials Above Threshold |
|---|---|

|  |   |
|--|---|
| EU REACH Regulation (EC) No. 1907/2006 | Current ECHA Candidate List: JAN 2021 (211)<br>Candidate List Declared Against: JAN 2021 (211)<br>Does not contain REACH SVHC |
|--|---|

|                 |  |
|-----------------|--|
| Halogen Content | BFR/CFR/PVC Free, but Br/Cl >900 ppm in other sources. |
|-----------------|--|

|                           |  |
|---------------------------|--|
| Solder Process Capability | Not applicable for solder process capability |
|---------------------------|--|

#### Product Compliance Disclaimer

This information is provided based on reasonable inquiry of our suppliers and represents our current actual knowledge based on the information they provided. This information is subject to change. The part numbers that TE has identified as EU RoHS compliant have a maximum concentration of 0.1% by weight in homogenous materials for lead, hexavalent chromium, mercury, PBB, PBDE, DBP, BBP, DEHP, DIBP, and 0.01% for cadmium, or qualify for an exemption to these limits as defined in the Annexes of Directive 2011/65/EU (RoHS2). Finished electrical and electronic equipment products will be CE marked as required by Directive 2011/65/EU. Components may not be CE marked. Additionally, the part numbers that TE has identified as EU ELV compliant have a maximum concentration of 0.1% by weight in homogenous materials for lead, hexavalent chromium, and mercury, and 0.01% for cadmium, or qualify for an exemption to these limits as defined in the Annexes of Directive 2000/53/EC (ELV). Regarding the REACH Regulation, the information TE provides on SVHC in articles for this part number is based on the latest European Chemicals Agency (ECHA) 'Guidance on requirements for substances in articles' posted at this URL: <https://echa.europa.eu/guidance-documents/guidance-on-reach>

## Compatible Parts



REPRESENTATION ONLY

TE Part # 49935  
DAHT SOLIS 22-10 ASSY



TE Part # 992008-000  
AD-1377-CRIMP-TOOL-3-CVTY

## Customers Also Bought



TE Part #208262-3  
5009-328-0022



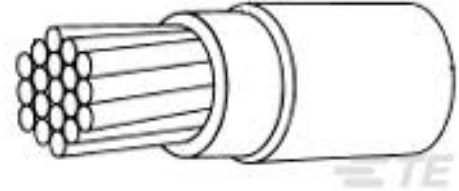
TE Part #YDTS26W23-35SNV001  
PLUG ASSY



TE Part #127429-000  
SO63-5-9030



TE Part #482943-000  
SO63-4-9030



TE Part #173065-000  
22759/43-01-9



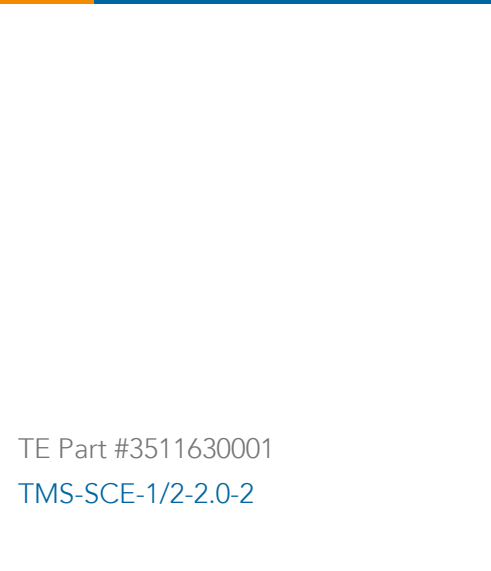
TE Part #369594-000  
22759/43-4-9



TE Part #2560-218-2031  
CONT PIN



TE Part #184523-000  
22759/43-10-9



TE Part #3511630001  
TMS-SCE-1/2-2.0-2

## Documents

### Product Drawings

[D-436-26](#)

English

### Datasheets & Catalog Pages

[1654025\\_Sec8\\_D-436](#)

English

D-436-26

Splices, Splice, Splice, 12 – 10AWG Wire Size, 2.62 – 6.64mm<sup>2</sup> Wire Size, Sealable, Splice Kit, Barrel Inside Diameter .129 in [3.28 mm]



## [Harness Repair Products Quick Reference Guide](#)

English

## X-ON Electronics

Largest Supplier of Electrical and Electronic Components

*Click to view similar products for [Solder Sleeves & Shield Tubing](#) category:*

*Click to view products by [TE Connectivity](#) manufacturer:*

Other Similar products are found below :

[899170-000](#) [620040N001](#) [620069N003](#) [CTA-0050-01](#) [629624-000](#) [6500750004](#) [6501390002](#) [CX0781-000](#) [696396-000](#) [697080-000](#) [D-150-0331CS2902](#) [D-181-1222-90/9CS2800](#) [D-300-01CS1108](#) [715325N001](#) [908357N001](#) [982127-1](#) [D-436-0182CS246](#) [D-436-37CS2651](#) [D-436-61CS246](#) [D-436-82-CS2621](#) [D-659-0087](#) [E53797N001](#) [CB0213-000](#) [CB0219-000](#) [S200-2-01](#) [S200-4-00CS2904](#) [LSS-81-16AA-CS5575](#) [ST18-2-00](#) [FLX40-020-04-CS8651](#) [325534-000](#) [CTA-0025](#) [D-108-07CS436](#) [D-128-0010](#) [D-141-0108CS404](#) [D-144-41CS1371](#) [D-150-0231-NRCS2896](#) [D-150-1011](#) [395947-000](#) [427243N001](#) [B-801-18-01](#) [515-9](#) [C67137-000](#) [CB0220-000](#) [D-436-0185CS1102](#) [D-436-36CS2908](#) [D-436-37CS2908](#) [D-436-52CS246](#) [D-436-83CS2705](#) [D44133N001](#) [LSS-26-8A](#)