



Terminals & Splices > Splices



Splice Product Type: **Splice**

Terminal & Splice Type: **Splice**

Wire Size: **.15 – .61 mm²**

Sealable: **Yes**

Features

Product Type Features

Splice Product Type	Splice
Sealable	Yes
Splice Type	In-Line Splice
Serrated	No
Splice Accessory Type	Splice
Splice Barrel Type	Closed Barrel
Splice Wire/Cable Type	Insulated Wire
Insulated	Yes
Support Style	Non-Insulation Support

Configuration Features

Number of Serrations	0
----------------------	---

Body Features

Insulation Sleeve Material	Polyvinylidene Fluoride
Weight per Piece	1 g
Plating Material	Nickel
Insulation Material	Heat Shrink Radiation-Crosslinked Modified Polyvinylidene Fluoride
Splice Features	Splice Kit
Splice Material	Nickel-Plated

Contact Features

Terminal & Splice Type	Splice
------------------------	--------

Termination Features

Termination Method	Crimp
--------------------	-------

Dimensions

Outside Diameter	3.73 mm
Wire Size	304 – 1216 CMA
Barrel Inside Diameter	1.2 mm[.048 in]
Splice Overall Length	34.93 mm[1.35 in]

Usage Conditions

Insulation Requirement	Fully Insulated
Cable Temperature Rating	135 °C
Operating Temperature Range	-55 – 175 °C[-67 – 347 °F]

Operation/Application

Heavy Duty	No
------------	----

Industry Standards

Government Qualified Splice	Yes
-----------------------------	-----

Packaging Features

Packaging Quantity	100
Splice Packaging Method	Bag/Box

Product Compliance

For compliance documentation, visit the product page on [TE.com](https://www.te.com)>

EU RoHS Directive 2011/65/EU	Compliant
EU ELV Directive 2000/53/EC	Compliant
China RoHS 2 Directive MIIT Order No 32, 2016	No Restricted Materials Above Threshold
EU REACH Regulation (EC) No. 1907/2006	Current ECHA Candidate List: JAN 2021 (211) Candidate List Declared Against: JAN 2021 (211) Does not contain REACH SVHC
Halogen Content	BFR/CFR/PVC Free, but Br/Cl >900 ppm in other sources.
Solder Process Capability	Not applicable for solder process capability

Product Compliance Disclaimer

This information is provided based on reasonable inquiry of our suppliers and represents our current actual knowledge based on the information they provided. This information is subject to change. The part numbers that TE has identified as EU RoHS compliant have a maximum concentration of 0.1% by weight in homogenous materials for lead, hexavalent chromium, mercury, PBB, PBDE, DBP, BBP, DEHP, DIBP, and 0.01% for cadmium, or qualify for an exemption to these limits as defined in the Annexes of Directive 2011/65/EU (RoHS2). Finished electrical and electronic equipment products will be CE marked as required by Directive 2011/65/EU. Components may not be CE marked. Additionally, the part numbers that TE has identified as EU ELV compliant have a maximum concentration of 0.1% by weight in homogenous materials for lead, hexavalent chromium, and mercury, and 0.01% for cadmium, or qualify for an exemption to these limits as defined in the Annexes of Directive 2000/53/EC (ELV). Regarding the REACH Regulation, the information TE provides on SVHC in articles for this part number is based on the latest European Chemicals Agency (ECHA) 'Guidance on requirements for substances in articles' posted at this URL: <https://echa.europa.eu/guidance-documents/guidance-on-reach>

Compatible Parts

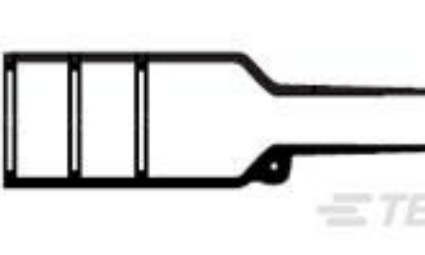


TE Part # 1752939-1
SDE DIE-26-12 MINI SEAL SPLICE

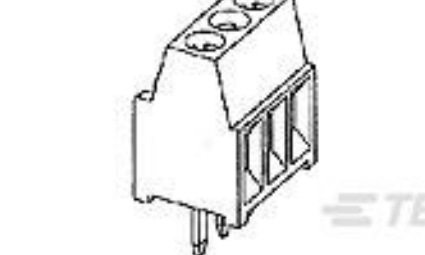


TE Part # 992008-000
AD-1377-CRIMP-TOOL-3-CVTY

Customers Also Bought



TE Part #259472-000
202K132-25-01/225-0



TE Part #282835-2
TERMI-BLOK PCB MOUNT 90 2P.



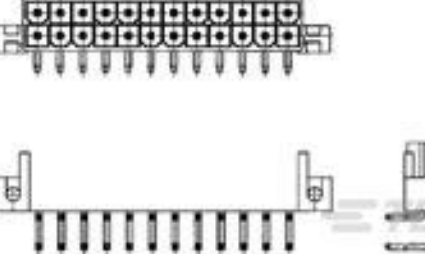
TE Part #2170703-1
CAGE ASSEMBLY, QSFP28 1X1, SPRING



TE Part #YDTS26F21-35SAV001
PLUG ASSY



TE Part #160701-2
RING TONGUE 18-14 AWG .030 X .394 NPSTL



TE Part #1-1586044-2
12P VAL-U-LOK R/A HDR SCRMT V0



TE Part #213932-3
M-SERIES KIT,V.35,34P,UNASSM



TE Part #208498-1
RECEPT MODULE ASSY FOR RIBBON

Documents

Product Drawings

D-436-88

English

D-436-88

Splices, Splice, Splice, 26 – 20AWG Wire Size, .15 – .61mm² Wire Size, Sealable, Splice Kit, Barrel Inside Diameter .048 in [1.2 mm]



[Datasheets & Catalog Pages](#)

[1654025_Sec8_D-436](#)

English

[Harness Repair Products Quick Reference Guide](#)

English

X-ON Electronics

Largest Supplier of Electrical and Electronic Components

Click to view similar products for [Solder Sleeves & Shield Tubing](#) category:

Click to view products by [TE Connectivity](#) manufacturer:

Other Similar products are found below :

[899170-000](#) [620040N001](#) [620069N003](#) [CTA-0050-01](#) [629624-000](#) [6500750004](#) [6501390002](#) [CX0781-000](#) [696396-000](#) [697080-000](#) [D-150-0331CS2902](#) [D-181-1222-90/9CS2800](#) [D-300-01CS1108](#) [715325N001](#) [908357N001](#) [982127-1](#) [D-436-0182CS246](#) [D-436-37CS2651](#) [D-436-61CS246](#) [D-436-82-CS2621](#) [D-659-0087](#) [E53797N001](#) [CB0213-000](#) [CB0219-000](#) [S200-2-01](#) [S200-4-00CS2904](#) [LSS-81-16AA-CS5575](#) [ST18-2-00](#) [FLX40-020-04-CS8651](#) [325534-000](#) [CTA-0025](#) [D-108-07CS436](#) [D-128-0010](#) [D-141-0108CS404](#) [D-144-41CS1371](#) [D-150-0231-NRCS2896](#) [D-150-1011](#) [395947-000](#) [427243N001](#) [B-801-18-01](#) [515-9](#) [C67137-000](#) [CB0220-000](#) [D-436-0185CS1102](#) [D-436-36CS2908](#) [D-436-37CS2908](#) [D-436-52CS246](#) [D44133N001](#) [LSS-26-8A](#) [626168-000](#)