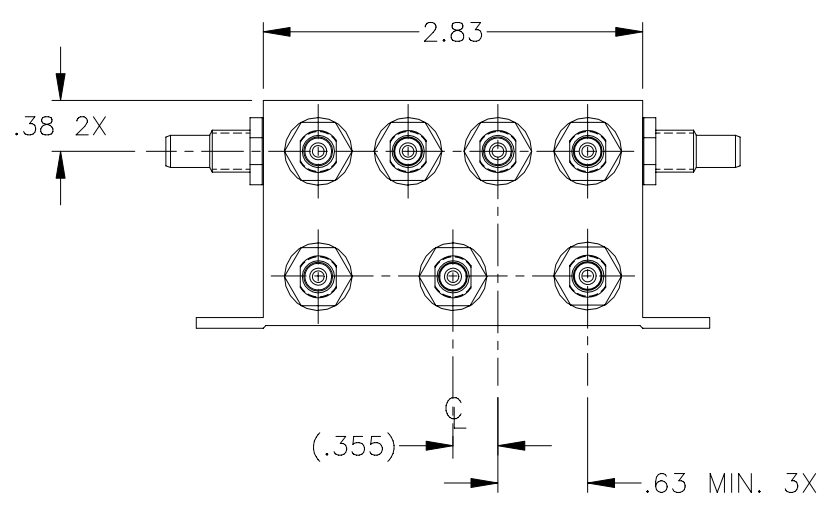
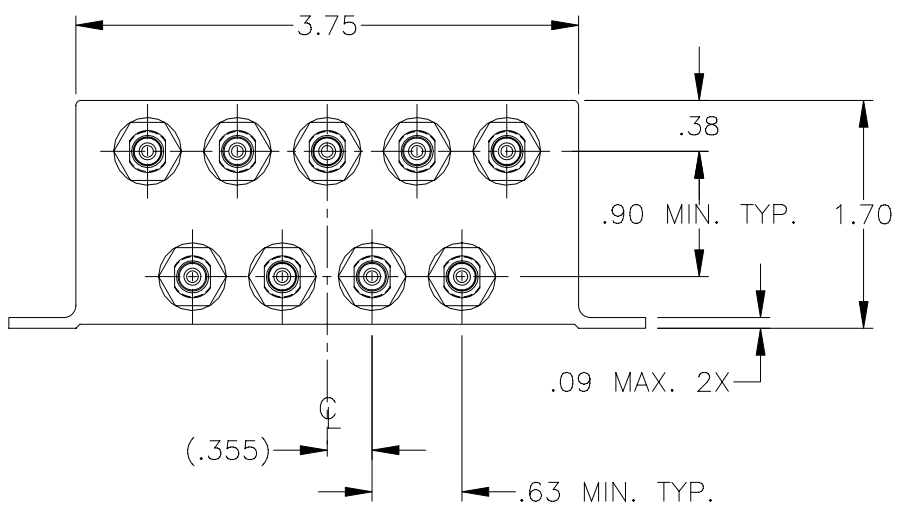
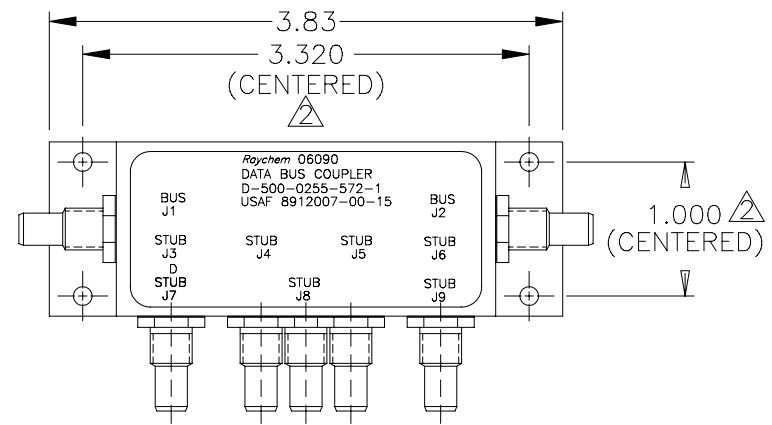
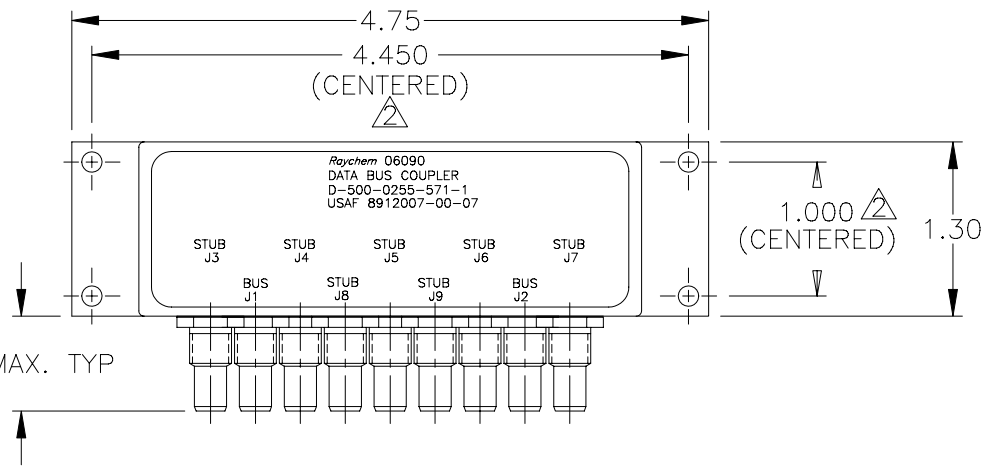


REVISIONS			
LTR	DESCRIPTION	DATE	APPROVED
N/C	INITIAL RELEASE PER ECN# T-18968	94MAR16	Z.E.T.
A	REVISED PER ECN# T-20123		



FACE MOUNT BUS CONFIGURATION  
D-500-0255-571-1

SIDE MOUNT BUS CONFIGURATION  
D-500-0255-572-1

3 WEIGHT: D-500-0255-571-1 247 grams MAX.  
D-500-0255-572-1 207 grams MAX.

2 HOLE PATTERN MACHINED SYMMETRIC TO MOUNTING FLANGE.

1. ORIENTATION OF CONNECTORS IS APPROXIMATELY AS SHOWN.

NOTES:

SPECIFICATION CONTROL DRAWING

UNLESS OTHERWISE SPECIFIED DIMENSIONS ARE IN INCHES. METRIC DIMENSIONS ARE IN BRACKETS.	DRAWN	J.B.K.	92 APR 6		Tyco Electronics Corporation 300 Constitution Drive Menlo Park, CA. 94025 U.S.A.			
	CHECKED							
	DECIMALS	.XXX ± .010	[ — mm ]	TITLE 7 STUB DATA BUS COUPLER WITH THREADED TRIAXIAL CONNECTORS				
	ANGLES	.XX ± .03	[ — mm ]					
WEIGHT	3			SIZE	CODE IDENT. NO.	DWG. NO.	REV	
				A	06090	D-500-0255-571/572-1	A	
				DO NOT SCALE THIS DRAWING				SHEET 1 OF 2

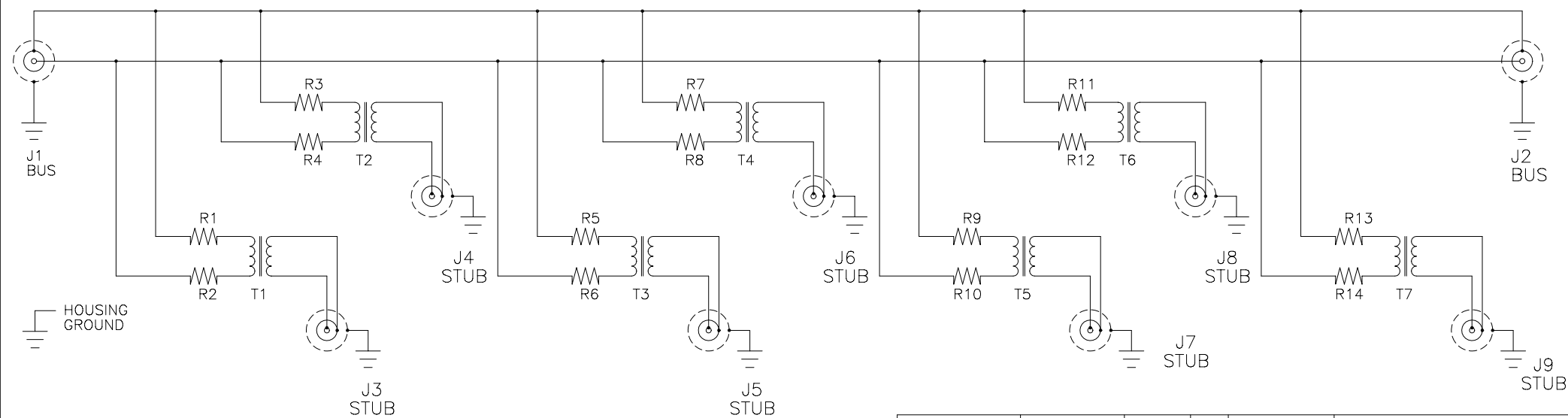
1.0 INTERMATEABILITY

BUS JACKS J1 AND J2	MATING PLUG
DK-621-0412-P (8340711-00-01)	DK-621-0411-S (8340709-00-02)

STUB JACK J3 THRU J7	MATING PLUG
DK-621-0412-S (8340711-00-02)	DK-621-0411-P (8340709-00-01)

2.0 PERFORMANCE

- 2.1 THIS COUPLER IS DESIGNED TO MEET THE APPLICABLE FUNCTIONAL REQUIREMENT OF RAYCHEM SPECIFICATION D-6021 AND USAF 8912007.
- 2.2 THE COUPLER SHALL OPERATE UNDER ANY OF THE ENVIRONMENTAL SERVICE CONDITIONS AS SPECIFIED IN MIL-E-5400, CLASS  $\nabla$  UPGRADED TO 125°C CONTINUOUS OPERATION.
- 2.3 ALTITUDE: SEA LEVEL TO 75,000 FEET

SCHEMATIC DIAGRAM

CAD NAME: 009187-2	DRAWN J.B.K.	DATE 94 MAR 9	SIZE A	CODE IDENT. NO. 06090	DWG. NO. D-500-0255-571/572-1
	ISSUED	DATE	DO NOT SCALE THIS DRAWING		SHEET 2 OF 2

## **X-ON Electronics**

Largest Supplier of Electrical and Electronic Components

*Click to view similar products for [Data Bus Components - Box Couplers](#) category:*

*Click to view products by [TE Connectivity](#) manufacturer:*

Other Similar products are found below :

[500557-000](#) [D-500-0255-212](#) [D-500-0255-513-1](#) [D-500-0255-571-1](#) [D-500-0255-573-1](#) [TEBC-1001](#) [TEBC-1001-LF](#) [TEBC-1002-LF](#)  
[TEBC-1003](#) [TEBC-1003-LF](#) [TEBC-1004](#) [TEBC-1004-LF](#) [TEBC-1005](#) [TEBC-1005-LF](#) [TEBC-1008](#) [670569-000](#) [D-500-0255-523-2](#)  
[320809-000](#) [585435-000](#)