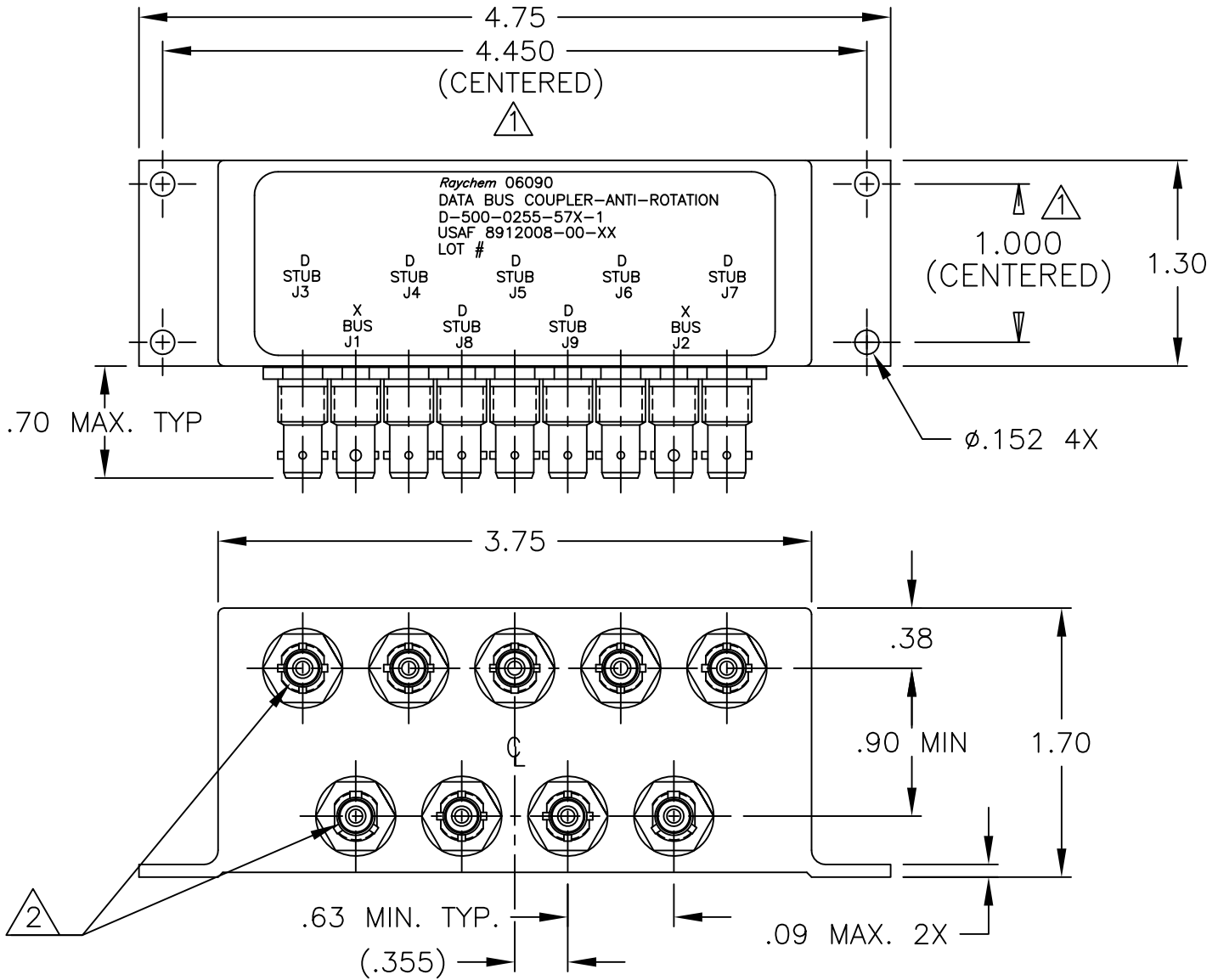


REVISIONS			
LTR	DESCRIPTION	DATE	APPROVED
C	REVISED DWG PER ECO-11-007423	11APR2008	E.CHEN
D	REVISED DWG PER ECO-16-001634	04Feb2016	L.R.

NOTES:

- ① HOLE PATTERN MACHINED SYMMETRIC WITHIN MOUNTING FLANGE.
- ② DOUBLE "D" ANTI-ROTATION MOUNTING ON ALL CONNECTOR JACKS.



© 2011-2016 Tyco Electronics Corporation. All Rights Reserved.

Raychem Databus

CUSTOMER DRAWING

UNLESS OTHERWISE SPECIFIED
DIMENSIONS ARE IN INCHES.
METRIC DIMENSIONS ARE
IN BRACKETS.

DECIMALS
.XXX ± .010 [— mm]
.XX ± .03 [— mm]
ANGLES
.X ± —

WEIGHT
233 GRAMS MAX.

DRAWN	J.B.K.	1991JUN10
CHECKED		
APPROVED		
APPROVED	Z.TEMAN	1991JUN11
CAD NAME D-500-0255-57X-1a_CD_D		
THIRD ANGLE PROJECTION		



TE Connectivity

TITLE

7 STUB
DATABUS BAYONET COUPLER
WITH TRIAXIAL CONNECTORS

SIZE	CODE IDENT NO.	DWG. NO.	REV
A	06090	D-500-0255-57X-1	D
DO NOT SCALE THIS DRAWING			SHEET 1 OF 2

1.0 INTERMATEABILITY

CONNECTOR BOX JACK	MATING PLUG	KEY ("X")
DK-621-0434-1S (8912004-00-05)	DK-621-0433-1P (8912003-00-01)	A
DK-621-0436-2S (8912004-00-06)	DK-621-0435-2P (8912003-00-02)	B
DK-621-0438-3S (8912004-00-07)	DK-621-0437-3P (8912003-00-03)	C
DK-621-0440-4P (8912004-00-04)	DK-621-0439-4S (8912003-00-08)	D

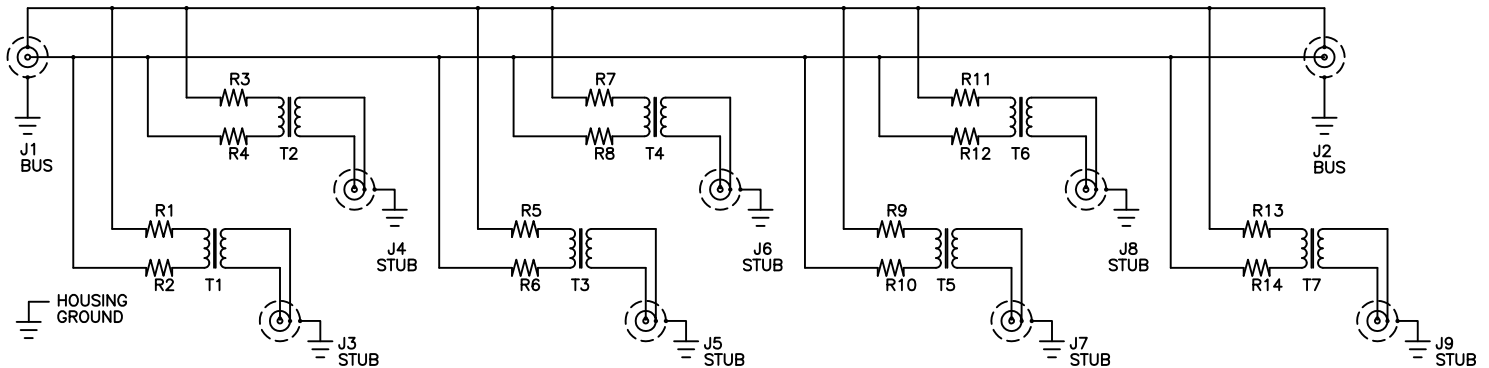
2.0 PERFORMANCE

- 2.1 THIS COUPLER IS DESIGNED TO MEET THE APPLICABLE FUNCTIONAL REQUIREMENT OF RAYCHEM SPECIFICATION D-6021 AND USAF 8912008.
- 2.2 THE COUPLER SHALL OPERATE UNDER ANY OF THE ENVIRONMENTAL SERVICE CONDITIONS AS SPECIFIED IN MIL-E-5400, CLASS ∇ UPGRADED TO 125°C CONTINUOUS OPERATION.
- 2.3 ALTITUDE: SEA LEVEL TO 75,000 FEET

3.0

D-500-0255	BUS JACKS J1 AND J2	STUB JACKS J3 THRU J10
-573-1 (8912008-00-19)	DK-621-0434-1S "A" (8912004-00-01)	DK-621-0440-4P "D" (8912004-00-08)
-575-1 (8912008-00-20)	DK-621-0436-2S "B" (8912004-00-02)	DK-621-0440-4P "D" (8912004-00-08)
-577-1 (8912008-00-21)	DK-621-0438-3S "C" (8912004-00-03)	DK-621-0440-4P "D" (8912004-00-08)

SCHEMATIC DIAGRAM



Raychem Databus
CUSTOMER DRAWING



TE Connectivity

CAD NAME: D-500-0255-57X-1b_CD_C	DRAWN	J.B.K.	1991JUN10	SIZE	CODE IDENT NO.	DWG. NO.	REV
	ISSUED			A	06090	D-500-0255-57X-1	D
DO NOT SCALE THIS DRAWING						SHEET 2 OF 2	

X-ON Electronics

Largest Supplier of Electrical and Electronic Components

Click to view similar products for [Data Bus Components - Box Couplers](#) category:

Click to view products by [TE Connectivity](#) manufacturer:

Other Similar products are found below :

[D-500-0255-543-1](#) [D-500-0255-571-1](#) [D-500-0255-523-2](#) [D-500-0255-212](#) [D-500-0255-513-1](#) [D-500-0255-573-1](#)