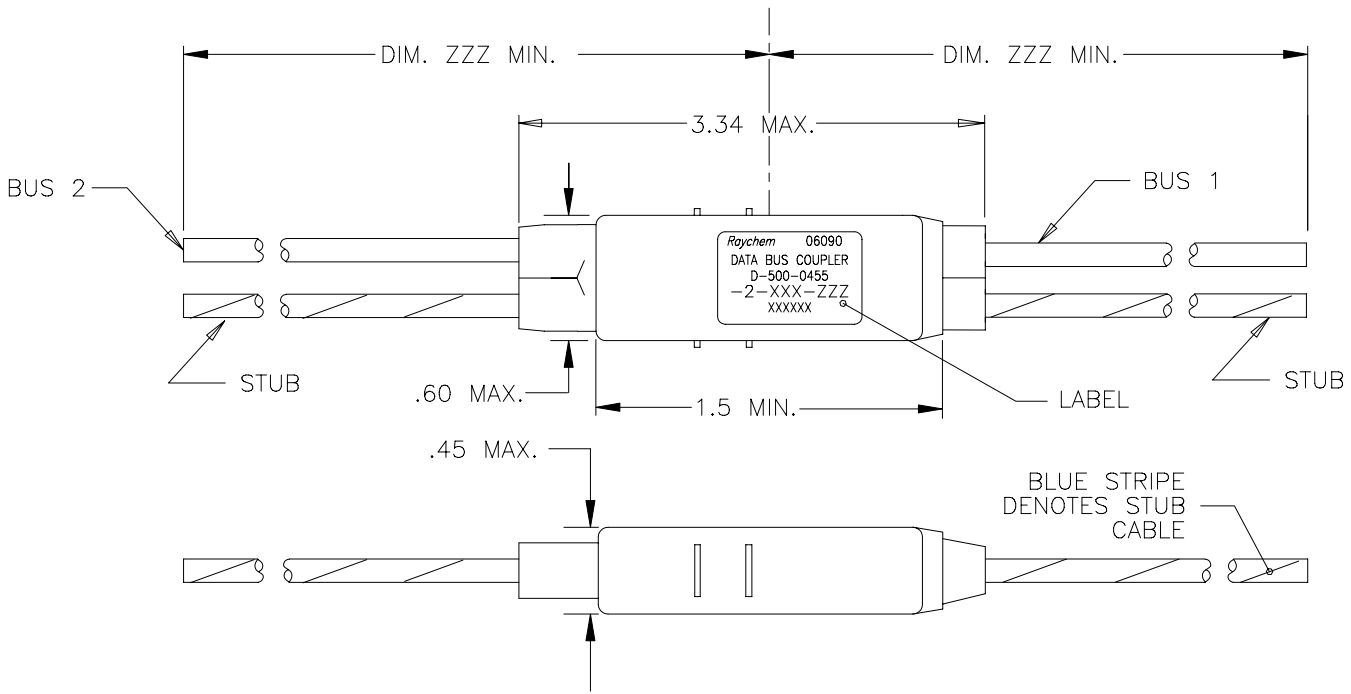
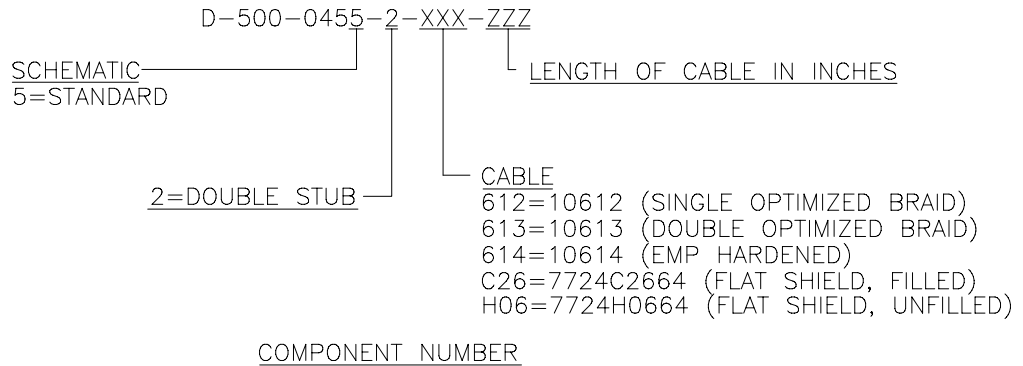


REVISIONS			
REV	DESCRIPTION	DATE	APPROVED
D	REVISED PER ECN T-28195	03OCT00	TR



COMPONENT NUMBER	BUS CABLE	STUB CABLE
D-500-0455-2-612-ZZZ	10612-24-9	10612-24-96
D-500-0455-2-613-ZZZ	10613-24-9	10613-24-96
D-500-0455-2-614-ZZZ	10614-24-9	10614-24-96
D-500-0455-2-C26-ZZZ	7724C2664-9	7724C2664-96
D-500-0455-2-H06-ZZZ	7724H0664-9	7724H0664-96



SPECIFICATION CONTROL DRAWING

UNLESS OTHERWISE SPECIFIED
DIMENSIONS ARE IN INCHES.
METRIC DIMENSIONS ARE
IN BRACKETS.

DECIMALS

.XXX ± — { — mm }
.XX ± — { — mm }

ANGLES

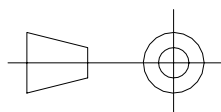
.X ± —

WEIGHT

— g { — lbs }

DRAWN	ZS.O.	3/31/98
CHECKED		
APPROVED		
APPROVED	M.HIGGY	3/31/98
CAD NAME	T28195A.dwg	

THIRD ANGLE
PROJECTION



tyco
Electronics

Tyco Electronics Corporation
300 Constitution Drive
Menlo Park, CA. 94025 U.S.A.

Raychem

TITLE

TWO STUB IN-LINE
DATA BUS MICRO COUPLER
04 SERIES
STANDARD

SIZE
A

CODE IDENT. NO.
06090

DWG. NO.

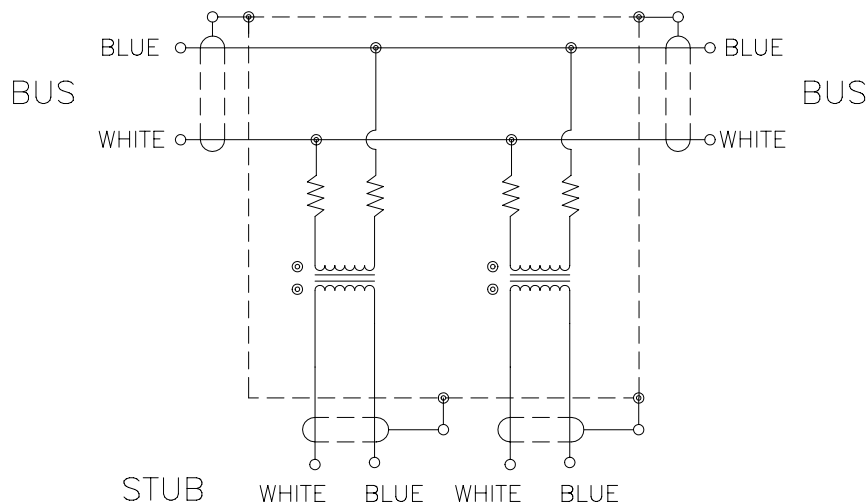
D-500-0455-2-XXX-ZZZ

DO NOT SCALE THIS DRAWING

SHEET 1 OF 2

1. MATERIAL AND FINISHES:
 - 1.1 INTERNAL COMPONENTS:
 - TRANSFORMER TO MIL-T-21038 AND MIL-STD-1553/B
 - RESISTORS TO PER MIL-R-39007/9, 57.6 OHMS
 - 1.2 SHIELDED CASE: ALUMINUM PER ASTM B 618, ALLOY A03560 COND. F. OR ASTM B211, ALLOY A92017.
 - 1.3 SEALED STRAIN RELIEF COVER: MODIFIED CROSS-LINKED ELASTOMER, BLACK, TO RAYCHEM SPECIFICATION RK-6713.
 - 1.4 CABLE (SEE CABLE TABULATION, SHEET 1). TO RAYCHEM SPECIFICATION 1200.
2. APPLICATION:
 - 2.1 THIS COUPLER IS DESIGNED TO BE INSTALLED INTO A DIGITAL MULTIPLEX ASSEMBLY MEETING THE REQUIREMENTS OF MIL-STD-1553B.
 - 2.1.1 FOR CABLE SPLICING USE FLEXIBLE SPLICE KIT D-150-9133.
 - 2.2 FOR NETWORK LAYOUT ASSISTANCE CONSULT RAYCHEM TECHNICAL SERVICES.
 - 2.3 CABLE BEND RADIUS PER MIL-W-5088 STATIC BEND: 5 x CABLE O.D. MIN. DYNAMIC BEND: 10 x CABLE O.D. MIN.
3. TEMPERATURE:
 - 3.1 OPERATING TEMPERATURE: -65°C TO +150°C
4. PERFORMANCE SPECIFICATIONS:
 - 4.1 TRANSFORMER MEETS THE PERFORMANCE REQUIREMENTS OF MIL-STD-1553B.
 - 4.2 COUPLER WILL BE QUALIFIED TO RAYCHEM SPECIFICATION D-6020. QUALIFICATION PENDING.
5. WEIGHT:
 - 5.1 MAXIMUM WEIGHT WITHOUT CABLE: 15 GRAMS MAX.
6. ORDERING INFORMATION:

ORDER PER COMPONENT NUMBER. (SEE SHEET 1) AND DESIRED "ZZZ" CABLE LENGTH. SPLICE KITS TO BE ORDERED SEPARATELY. SPECIFY CERTIFICATION OF CONFORMANCE REQUIREMENTS AS SEPARATE LINE ITEM.

TWO STUB COUPLER SCHEMATIC

CAD NAME: T28195B

DRAWN

ZS.O.

3/31/98

SIZE

CODE IDENT. NO.

DWG. NO.

REV

A

06090

D-500-0455-2-XXX-ZZZ

D

ISSUED

DO NOT SCALE THIS DRAWING

SHEET 2 OF 2

X-ON Electronics

Largest Supplier of Electrical and Electronic Components

Click to view similar products for [Data Bus Components - Microcouplers](#) category:

Click to view products by [TE Connectivity](#) manufacturer:

Other Similar products are found below :

[D-500-0455-2-612-236](#) [D-500-0458-2-612-120](#) [D-500-0457-1-613-120](#) [D-500-0457-2-613-079](#) [D63060-000](#) [D-500-0465-1-613-078-TCS2](#)
[476825-000](#) [575126-000](#) [693758-000](#) [775907-000](#) [841895-000](#) [D-500-0455-1-612-012](#) [D-500-0455-1-612-078](#) [D-500-0455-1-612-236](#) [D-](#)
[500-0455-1-613-012](#) [D-500-0455-1-613-078](#) [D-500-0455-1-613-120](#) [D-500-0455-1-613-236](#) [D-500-0455-2-612-012](#) [D-500-0455-2-612-078](#)
[D-500-0455-2-613-078](#) [D-500-0455-2-613-120](#) [D-500-0457-1-613-078](#) [D-500-0457-2-612-360](#) [D-500-0457-2-613-120](#) [D-500-0458-1-612-](#)
[078](#) [D-500-0458-1-612-120](#) [D-500-0458-1-613-078](#) [D-500-0458-1-613-236](#) [D-500-0458-2-613-078](#) [532367-000](#) [598393-000](#) [847489-000](#)
[936085-000](#) [305965-000](#) [570741-000](#) [A00137-000](#) [579363-000](#) [955785-000](#) [116273-000](#) [753399-000](#) [638875-000](#) [890679-000](#) [942211-000](#)
[CM2458-000](#) [D-500-0455-1-612-120](#) [D-500-L455-1-613-120](#)