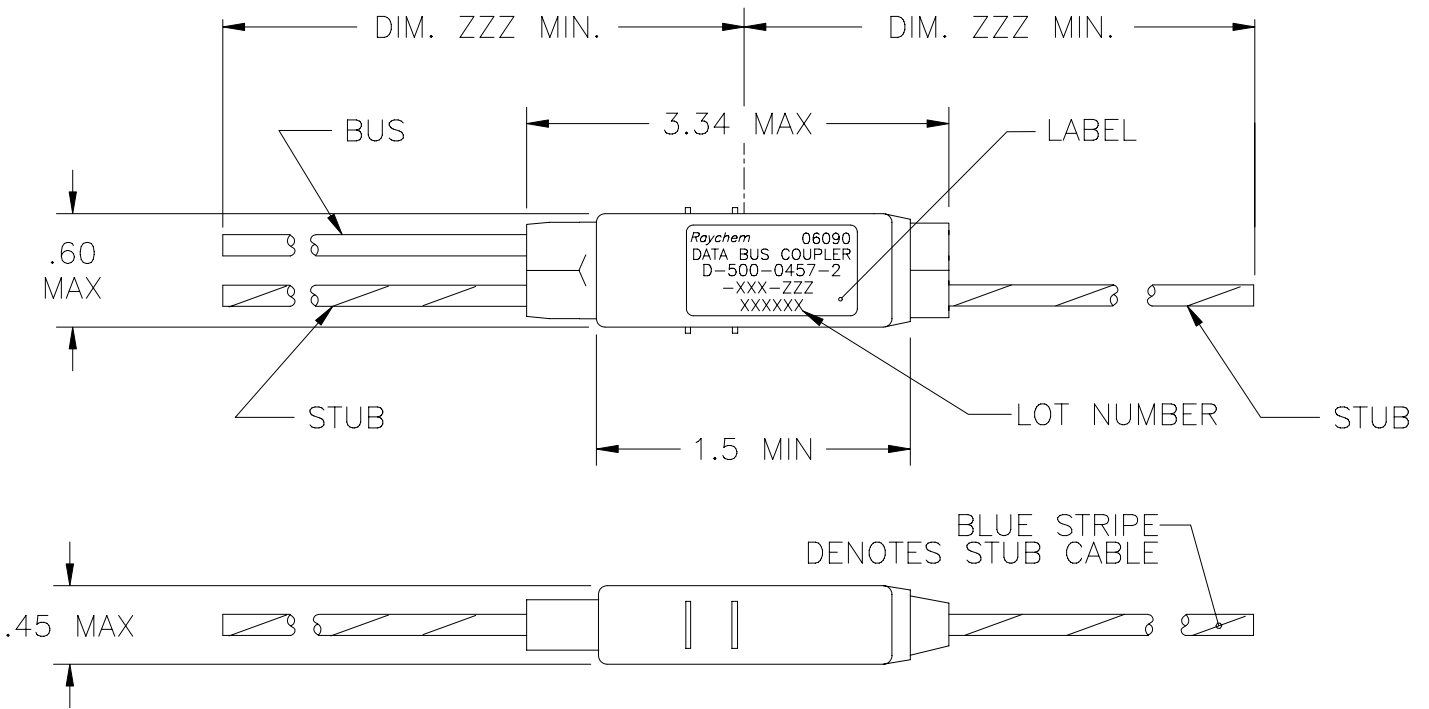


REVISION		
REV	DESCRIPTION	DATE
E	REVISED PER DCR NUMBER T31569	6/12/03



COMPONENT NUMBER	BUS CABLE	STUB CABLE
D-500-0457-2-612-ZZZ	10612-24-9	10612-24-96
D-500-0457-2-613-ZZZ	10613-24-9	10613-24-96
D-500-0457-2-614-ZZZ	10614-24-9	10614-24-96

PART NO. D-500-0457-2-XXX-ZZZ

SCHEMATIC
7=TERMINATOR (AS SHOWN)

LENGTH OF CABLE (INCHES)

2=DOUBLE STUB

CABLE
612=10612
613=10613
614=10614

SPECIFICATION CONTROL DRAWING

UNLESS OTHERWISE SPECIFIED DIMENSIONS ARE INCHES. METRIC DIMENSIONS ARE IN BRACKETS.

DRAWN D.PIQUE DATE 95MAY11



Tyco Electronics
300 CONSTITUTION DRIVE
MENLO PARK, CALIFORNIA 94025 USA

Raychem

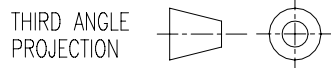
DECIMAL TOLERANCES
.XXX ± --- [--- mm]
.XX ± --- [--- mm]
.X ± --- [--- mm]

ANGLE TOLERANCE
.X ± ---

WEIGHT
SEE NOTES

MATERIAL
FINISH

TITLE
DATABUS MICROCOUPLER
TWO STUB IN-LINE, 04 SERIES
WITH BUS TERMINATOR



SIZE A CODE IDENT. NO. 06090 DWG. NO. D-500-0457-2-XXX-ZZZ

CAD FILE T31569A

1. MATERIAL AND FINISHES:

1.1 INTERNAL COMPONENTS:

1.1.1 -TRANSFORMER TO MIL-PRF-21038 AND MIL-STD-1553B

1.1.2 -RESISTORS, ISOLATION PER MIL-PRF-39007/9, 57.6 OHMS (R1)

1.1.3 -RESISTOR, TERMINATION PER MIL-PRF-39007/9, 76.8 OHMS (R2)

1.2 SHIELDED CASE: ALUMINUM PER ASTM-B618

1.3 SEALED STRAIN RELIEF COVER: MODIFIED CROSS-LINKED ELASTOMER, BLACK, TO RAYCHEM SPECIFICATION RK-6713.

1.4 CABLE TYPE PER RAYCHEM SPECIFICATION 1200 (SEE PART NO. ON SHEET 1).

2. APPLICATION:

2.1 THIS COUPLER IS DESIGNED TO BE INSTALLED INTO A DIGITAL MULTIPLEX ASSEMBLY MEETING THE REQUIREMENTS OF MIL-STD-1553B.

2.2 FOR CABLE SPLICING USE FLEXIBLE SPLICE KIT D-150-0708-5 (NOT SUPPLIED)

2.3 CABLE BEND RADIUS PER SAE-AS50881 STATIC BEND: 5 x CABLE O.D. MIN.
DYNAMIC BEND: 10 x CABLE O.D. MIN.

3. TEMPERATURE:

3.1 OPERATING TEMPERATURE: -65°C TO +150°C

4. PERFORMANCE SPECIFICATIONS:

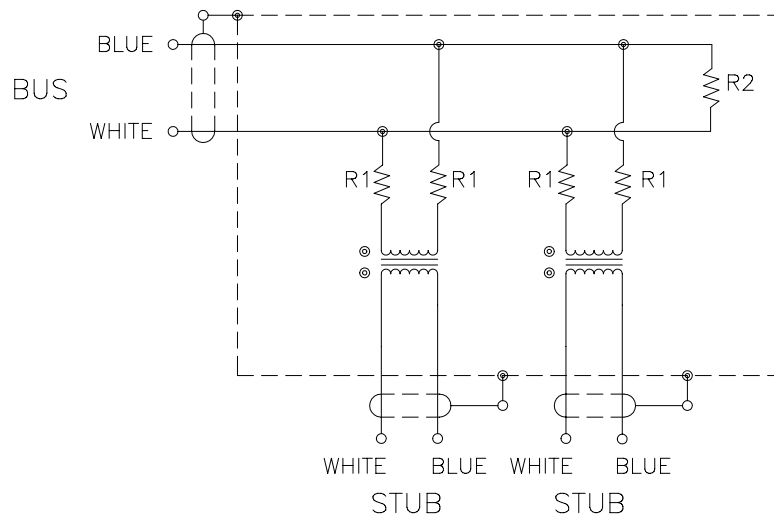
4.1 TRANSFORMER MEETS THE PERFORMANCE REQUIREMENTS OF MIL-STD-1553B.

4.2 COUPLER MEETS THE PERFORMANCE REQUIREMENTS OF RAYCHEM SPECIFICATION D-6020.

5. WEIGHT:

5.1 MAXIMUM WEIGHT WITHOUT CABLE: 15 GRAMS MAX.

TWO STUB COUPLER SCHEMATIC



SPECIFICATION CONTROL DRAWING

DRAWN DCP	DATE 95MAY11	SIZE A	CODE IDENT. NO. 06090	DWG. NO. D-500-0457-2-XXX-ZZZ	REV E
CAD FILE T31569B	tyco Electronics	DO NOT SCALE THIS DRAWING			SHEET 2 OF 2

X-ON Electronics

Largest Supplier of Electrical and Electronic Components

Click to view similar products for [Data Bus Components - Microcouplers](#) category:

Click to view products by [TE Connectivity](#) manufacturer:

Other Similar products are found below :

[D-500-0455-2-612-236](#) [D-500-0458-2-612-120](#) [D-500-0457-1-613-120](#) [D-500-0457-2-613-079](#) [D63060-000](#) [D-500-0465-1-613-078-TCS2](#)
[476825-000](#) [575126-000](#) [693758-000](#) [775907-000](#) [841895-000](#) [D-500-0455-1-612-012](#) [D-500-0455-1-612-078](#) [D-500-0455-1-612-236](#) [D-](#)
[500-0455-1-613-012](#) [D-500-0455-1-613-078](#) [D-500-0455-1-613-120](#) [D-500-0455-1-613-236](#) [D-500-0455-2-612-012](#) [D-500-0455-2-612-078](#)
[D-500-0455-2-613-078](#) [D-500-0455-2-613-120](#) [D-500-0457-1-613-078](#) [D-500-0457-2-612-360](#) [D-500-0457-2-613-120](#) [D-500-0458-1-612-](#)
[078](#) [D-500-0458-1-612-120](#) [D-500-0458-1-613-078](#) [D-500-0458-1-613-236](#) [D-500-0458-2-613-078](#) [532367-000](#) [598393-000](#) [847489-000](#)
[936085-000](#) [305965-000](#) [570741-000](#) [A00137-000](#) [579363-000](#) [955785-000](#) [116273-000](#) [753399-000](#) [638875-000](#) [890679-000](#) [942211-000](#)
[CM2458-000](#) [D-500-0455-1-612-120](#) [D-500-L455-1-613-120](#)