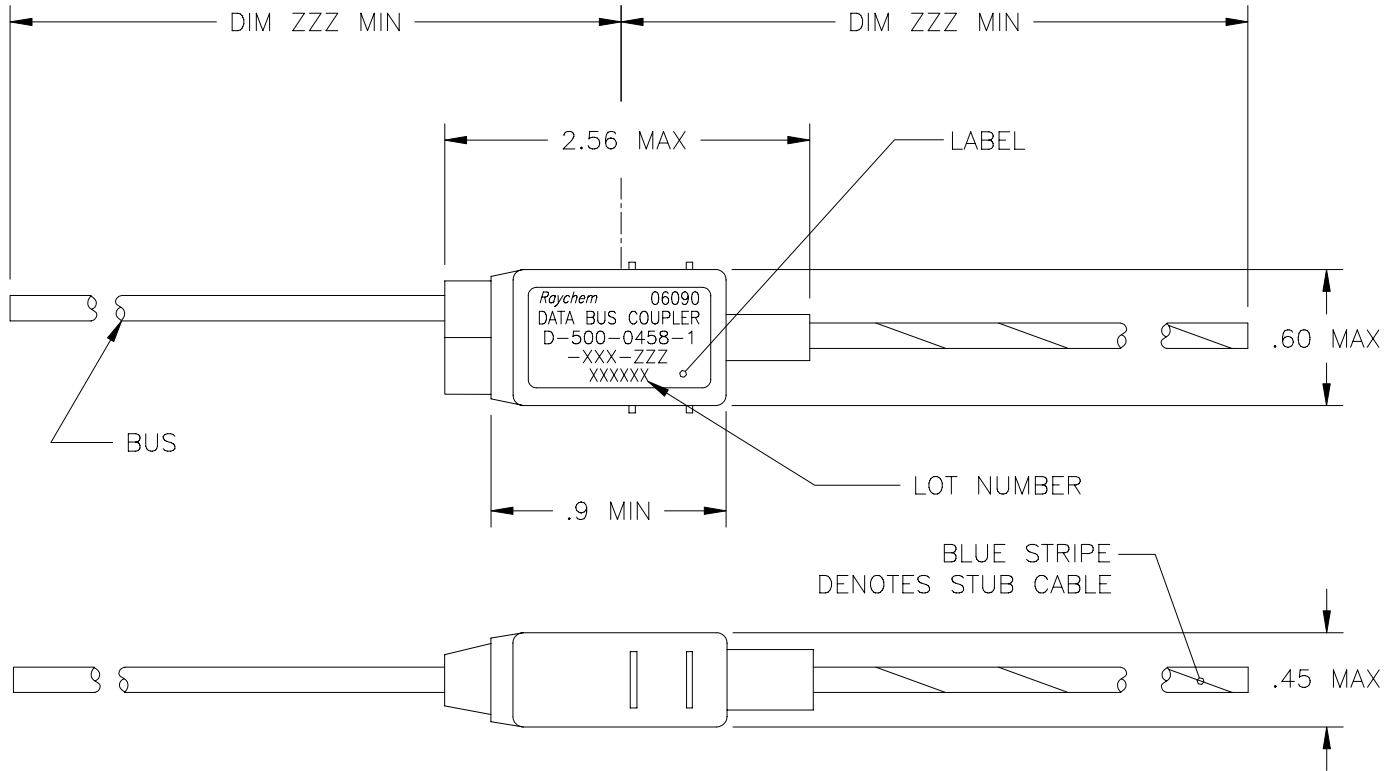


REVISION		
REV	DESCRIPTION	DATE
B	REVISED PER DCR NUMBER T31572	6/12/03



COMPONENT NUMBER	BUS CABLE	STUB CABLE
D-500-0458-1-612-ZZZ	10612-24-9	10612-24-96
D-500-0458-1-613-ZZZ	10613-24-9	10613-24-96
D-500-0458-1-614-ZZZ	10614-24-9	10614-24-96

PART NO. D-500-045X-1-XXX-ZZZ

SCHEMATIC

8=INTERNAL TERMINATOR (AS SHOWN)
REVERSE CONFIGURATION

1=SINGLE STUB

LENGTH OF CABLE (INCHES)

CABLE
612=10612
613=10613
614=10614

SPECIFICATION CONTROL DRAWING

UNLESS OTHERWISE SPECIFIED DIMENSIONS ARE INCHES. METRIC DIMENSIONS ARE IN BRACKETS.

DECIMAL TOLERANCES
.XXX ± --- [--- mm]
.XX ± --- [--- mm]
.X ± --- [--- mm]

ANGLE TOLERANCE
.X ± ---

WEIGHT
SEE NOTES

DRAWN
Z.Teman

DATE
4/15/97

MATERIAL

FINISH

THIRD ANGLE PROJECTION

tyco
Electronics

Tyco Electronics
300 CONSTITUTION DRIVE
MENLO PARK, CALIFORNIA 94025 USA

Raychem

TITLE
DATABUS MICROCOUPLER
SINGLE STUB IN-LINE,
04 SERIES, REVERSE WITH
INTERNAL BUS TERMINATOR

SIZE
A

CODE IDENT. NO.
06090

DWG. NO.
D-500-0458-1-XXX-ZZZ

CAD FILE
T31572A

DO NOT SCALE THIS DRAWING

SHEET 1 OF 2

1. MATERIAL AND FINISHES:1.1 INTERNAL COMPONENTS:

- 1.1.1 -TRANSFORMER TO MIL-PRF-21038 AND MIL-STD-1553B
 1.1.2 -RESISTORS, ISOLATION PER MIL-PRF-39007/9, 57.6 OHMS (R1)
 1.1.3 -RESISTORS, TERMINATION PER MIL-PRF-39007/9, 76.8 OHMS (R2)
 1.2 SHIELDED CASE: ALUMINUM PER ASTM-B618
 1.3 SEALED STRAIN RELIEF COVER: MODIFIED CROSS-LINKED ELASTOMER, BLACK, TO RAYCHEM SPECIFICATION RK-6713.
 1.4 CABLE TYPE PER RAYCHEM SPECIFICATION 1200 (SEE PART NO. ON SHEET 1).

2. APPLICATION:

- 2.1 THIS COUPLER IS DESIGNED TO BE INSTALLED AS A DIGITAL MULTIPLEX ASSEMBLY MEETING THE REQUIREMENTS OF MIL-STD-1553B.
 2.2 FOR CABLE SPLICING USE FLEXIBLE SPLICE KIT D-150-0708-5 (NOT SUPPLIED).
 2.3 CABLE BEND RADIUS PER SAE-AS50881 STATIC BEND: 5 x CABLE O.D. MIN.
 DYNAMIC BEND: 10 x CABLE O.D. MIN.

3. TEMPERATURE:

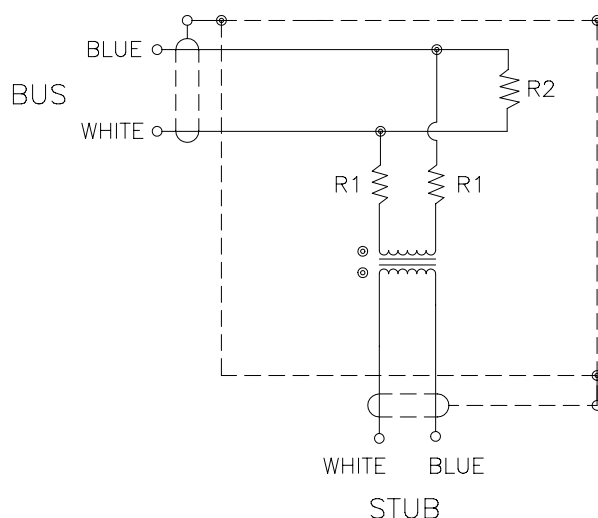
- 3.1 OPERATING TEMPERATURE: -65°C TO +150°C

4. PERFORMANCE SPECIFICATIONS:

- 4.1 TRANSFORMER MEETS THE PERFORMANCE REQUIREMENTS OF MIL-STD-1553B.
 4.2 COUPLER MEETS THE PERFORMANCE REQUIREMENTS OF RAYCHEM SPECIFICATION D-6020.

5. WEIGHT:

- 5.1 MAXIMUM WEIGHT WITHOUT CABLE: 10 GRAMS MAX.

ONE STUB COUPLER SCHEMATIC

SPECIFICATION CONTROL DRAWING

DRAWN ZET	DATE 4/15/97	SIZE A	CODE IDENT. NO. 06090	DWG. NO. D-500-0458-1-XXX-ZZZ	REV B
CAD FILE T31572B	tyco Electronics		DO NOT SCALE THIS DRAWING		SHEET 2 OF 2

X-ON Electronics

Largest Supplier of Electrical and Electronic Components

Click to view similar products for [Data Bus Components - Microcouplers](#) category:

Click to view products by [TE Connectivity](#) manufacturer:

Other Similar products are found below :

[D-500-0455-2-612-236](#) [D-500-0458-2-612-120](#) [D-500-0457-1-613-120](#) [D-500-0457-2-613-079](#) [D63060-000](#) [D-500-0465-1-613-078-TCS2](#)
[476825-000](#) [575126-000](#) [693758-000](#) [775907-000](#) [841895-000](#) [D-500-0455-1-612-012](#) [D-500-0455-1-612-078](#) [D-500-0455-1-612-236](#) [D-](#)
[500-0455-1-613-012](#) [D-500-0455-1-613-078](#) [D-500-0455-1-613-120](#) [D-500-0455-1-613-236](#) [D-500-0455-2-612-012](#) [D-500-0455-2-612-078](#)
[D-500-0455-2-613-078](#) [D-500-0455-2-613-120](#) [D-500-0457-1-613-078](#) [D-500-0457-2-612-360](#) [D-500-0457-2-613-120](#) [D-500-0458-1-612-](#)
[078](#) [D-500-0458-1-612-120](#) [D-500-0458-1-613-078](#) [D-500-0458-1-613-236](#) [D-500-0458-2-613-078](#) [532367-000](#) [598393-000](#) [847489-000](#)
[936085-000](#) [305965-000](#) [570741-000](#) [A00137-000](#) [579363-000](#) [955785-000](#) [116273-000](#) [753399-000](#) [638875-000](#) [890679-000](#) [942211-000](#)
[CM2458-000](#) [D-500-0455-1-612-120](#) [D-500-L455-1-613-120](#)