

REVISIONS			
LTR	DESCRIPTION	DATE	APPROVED
A	REVISED PER E.C.N. T-5959	86-1-13	I.M.
B	REVISED REDRAWN PER E.C.N. T-10097	88-5-17	345

NOTES:

1. PART DESCRIPTION: BRAID TERMINATOR ASSEMBLY

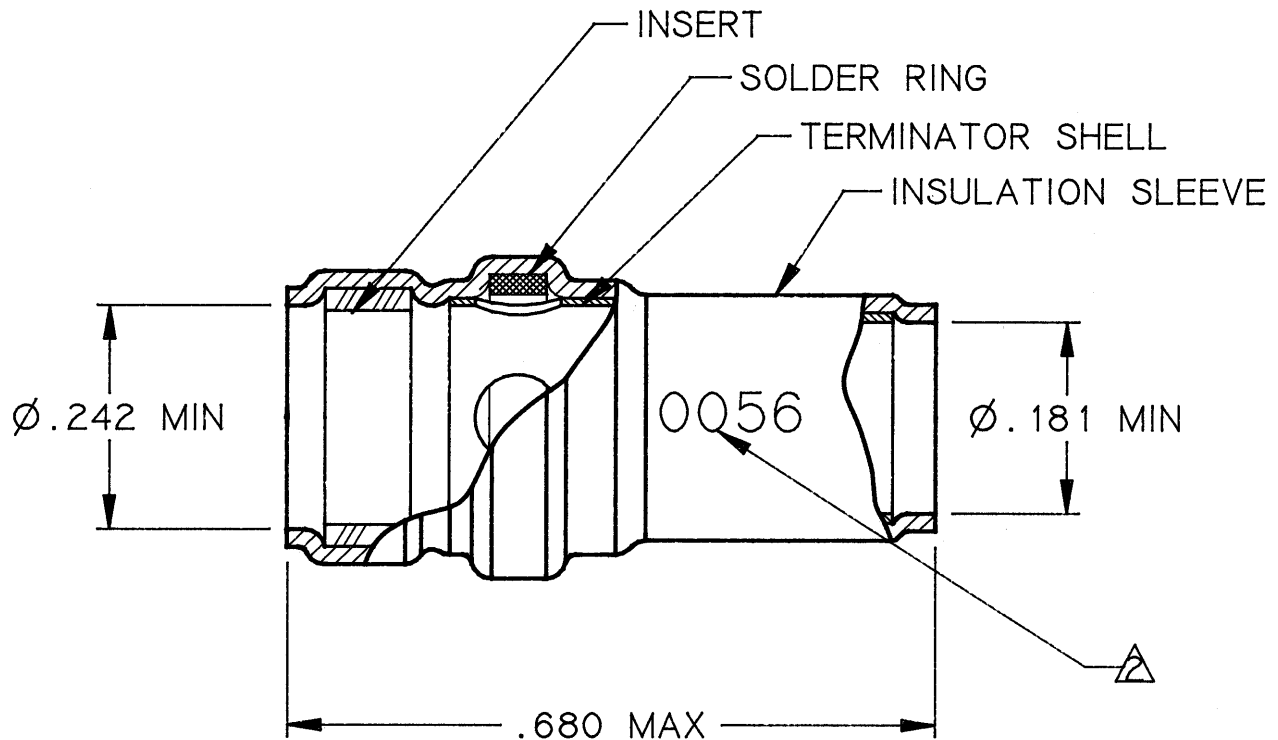
A. MATERIAL:

1. INSULATION SLEEVE: HEAT SHRINKABLE POLYVINYLIDENE FLUORIDE.
2. SOLDER RING: COMPOSITION Sn63, PER QQ-S-571.
3. TERMINATOR SHELL: BRASS ALLOY, PER QQ-B-626C.
4. INSERT: IMMERSION RESISTANT THERMOPLASTIC.


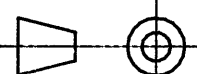
B. FINISH:

1. TERMINATOR SHELL: SOLDER - PLATED PER MIL-P-81728A OVER NICKEL PER QQ-N-290.

 MARKING: "0056", YELLOW INK, RANDOM ORIENTATION.



SPECIFICATION CONTROL DRAWING © Raychem Corporation 1988

UNLESS OTHERWISE SPECIFIED DIMENSIONS ARE IN INCHES. METRIC DIMENSIONS ARE IN BRACKETS. DECIMALS .XXX ± N/A [mm] .XX ± N/A [mm] ANGLES .X ± N/A WEIGHT lbs [g]	DRAWN RDL 88-5-13	 RAYCHEM CORPORATION 300 CONSTITUTION DRIVE MENLO PARK, CALIFORNIA 94025	TITLE BRAID TERMINATOR ASSEMBLY WITH SEAL				
	CHECKED		APPROVED 345 88-5-17	SIZE A	CODE IDENT. NO. 06090	DWG. NO. D-600-0056	REV B
	APPROVED		CAD NAME RDL E: \SCD\196305S	DO NOT SCALE THIS DRAWING		SHEET 1 OF 1	
	THIRD ANGLE PROJECTION						

X-ON Electronics

Largest Supplier of Electrical and Electronic Components

Click to view similar products for [Data Bus Components - Connectors](#) category:

Click to view products by [TE Connectivity](#) manufacturer:

Other Similar products are found below :

[891382-000](#) [626023-000](#) [D-500-0255-021-01CS252](#) [D-621-0211](#) [D-704-0079](#) [DK-621-0047-2PCS228](#) [DK-621-0047-2SCS228](#) [DK-621-0412CS325](#) [911225N001](#) [F33352-000](#) [187711-000](#) [201526-000](#) [477472-000](#) [491952-000](#) [D-600-0174](#) [D-621-0476-L](#) [D-711-03](#) [DK-621-0049-1P](#) [DK-621-0050-1P](#) [DK-621-0412-UP](#) [DK-621-0440-4P-CS1498](#) [514433-000](#) [614637N002](#) [645241N002](#) [734977-000](#) [DK-621-0436-2P-CS1498](#) [041809-000](#) [199653-000](#) [468675-000](#) [608041-000](#) [DK-621-0411-45S](#) [DK-621-1635-2PCS324](#) [DK-621-1636-2S](#) [DK-621-1638-3S](#) [DK-621-1640-4P](#) [149317-000](#) [DK-621-0435R-2S](#) [011689-000](#) [D-621-0412-JD](#) [DK-621-0437-3S](#) [DK-621-0435-2S](#) [143981-000](#) [156542-000](#) [210033-000](#) [361727-000](#) [438510-000](#) [477643-000](#) [491332-000](#) [118345-000](#) [633671-000](#)