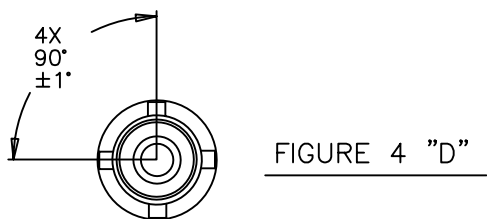
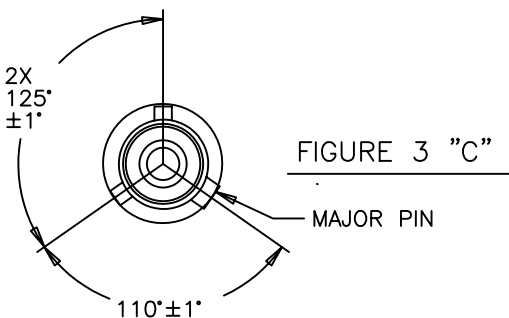
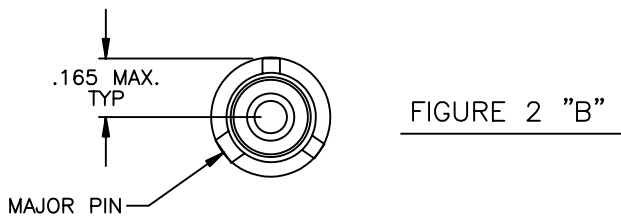
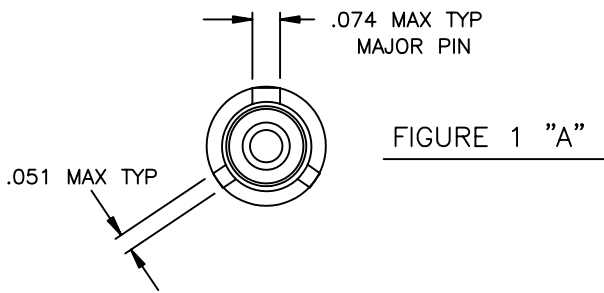
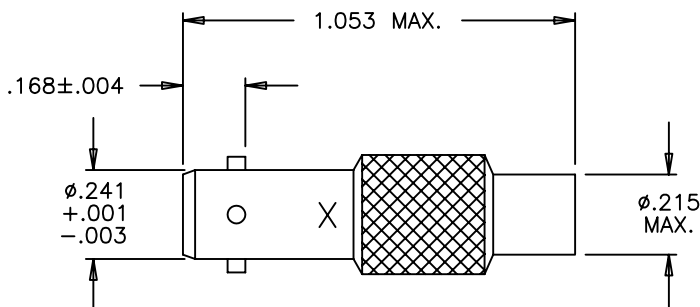


REVISIONS			
LTR	DESCRIPTION	DATE	APPROVED
A	COMPILED AND REDRAWN ON CAD PER ECN# T-15352	90 DEC 3	ZET


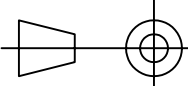


TABULATION			
CONNECTOR	PCN	INTERFACE (X)	FIGURE
D-621-0087	439411	"A"	1
D-621-0088	039292	"B"	2
D-621-0089	522718	"C"	3
D-621-0090	414348	"D"	4



SPECIFICATION CONTROL DRAWING

© Raychem Corporation 1990

UNLESS OTHERWISE SPECIFIED DIMENSIONS ARE IN INCHES. METRIC DIMENSIONS ARE IN BRACKETS. DECIMALS .XXX ± [— mm] .XX ± [— mm] ANGLES .X — ± [—] WEIGHT — lbs [— g]	DRAWN J.B.K. 90 NOV 21	 RAYCHEM CORPORATION 300 CONSTITUTION DRIVE MENLO PARK, CALIFORNIA 94025	TITLE CONNECTOR, TRIAXIAL, JACK, SUBMINIATURE, BAYONET COUPLED, INLINE	
	CHECKED			
	APPROVED			
	APPROVED ZET 90 DEC 3			
	CAD NAME 4997-1	SIZE A CODE IDENT. NO. 06090 DWG. NO. D-621-0087/0090 DO NOT SCALE THIS DRAWING	REV A SHEET 1 OF 2	
	THIRD ANGLE PROJECTION 			



SPECIFICATIONS

1.0 MATERIALS AND FINISHES

1.1 HOUSING BODY: BeCu ALLOY, ASTM B196, TB00 OR TD04,
TIN PLATED PER MIL-T-10727,
OVER NICKEL PER MIL-C-26074

1.1.1 INSULATION (MIP): POLYETHERSULFONE

2.0 CONTACTS

CABLE TYPE	TRIAxIAL	TWINAXIAL	COAXIAL
CONTACT(S)	D-602-44 (PIN) D-602-45 (SOCKET)	D-602-0126 (PIN) D-602-0127 (SOCKET)	D-610-09 (PIN) D-610-10 (SOCKET)

3.0 SEE ES61162 FOR CABLE ACCOMODATION AND TERMINATION INFORMATION.
ALSO INCLUDED, CABLE 7724C8664 .

4.0 PERFORMANCE REQUIREMENTS

4.1 REFER TO RAYCHEM SPECIFICATION D-6025 FOR PRODUCT PERFORMANCE AND
QUAILIFICATION REQUIREMENTS.

5.0 GENERAL CHARACTERISTICS

- 5.1 OPERATING TEMPERATURE: -65°C TO 125°C
- 5.2 INSULATION RESISTANCE: GREATER THAN 5K MEG
- 5.3 DIELECTRIC STRENGTH: 900 VAC @ 60 Hz
- 5.4 CURRENT RATING: 3 AMPS MAX.
- 5.5 CONTACT RESISTANCE: INITIAL: 8 MILLIOHMS MAX.
- 5.6 MATING COUPLING TORQUE: 10 INCH/LBS MAX.



CAD NAME: 4997-2	DRAWN	J.B.K.	90 NOV 21	SIZE	CODE IDENT. NO.	DWG. NO.	REV
	ISSUED			A	06090	D-621-0087/0090	A
DO NOT SCALE THIS DRAWING						SHEET 2 OF 2	

X-ON Electronics

Largest Supplier of Electrical and Electronic Components

Click to view similar products for [D-Sub Contacts](#) category:

Click to view products by [TE Connectivity](#) manufacturer:

Other Similar products are found below :

[D02-22-26S-10000](#) [8656352067LF](#) [131A15029X](#) [132A11019X](#) [132J22039X](#) [132A11029X](#) [132A11049X](#) [1757912-1](#) [188582-000](#)
[162A11889X](#) [1757913-1](#) [212558-1](#) [030-1955-000](#) [053744-0098](#) [053744-0099](#) [053745-0105](#) [053745-0111](#) [601098N003](#) [86303057NLF](#)
[131A11019X](#) [162A11819X](#) [40-9854MP](#) [1-208778-5](#) [FC120N2](#) [MC7526D/AA](#) [MC8122D/AA](#) [FC4010D-15](#) [FC4006D](#) [121A05329A](#)
[164C16669X](#) [86566620064LF](#) [C330-8997-101H](#) [131A13019X](#) [DLS3XS5AK40X](#) [09692825723](#) [030-1954-000](#) [L17DM53744207](#)
[L17RRD1M11400](#) [030-1952-000](#) [1655496](#) [030-1953-000](#) [030-1953-030](#) [132C11039X](#) [132J15019X](#) [132C15019X](#) [132C11019X](#)
[131A10029X](#) [8638PSC2006LF](#) [8656453067LF](#) [86566520064LF](#)