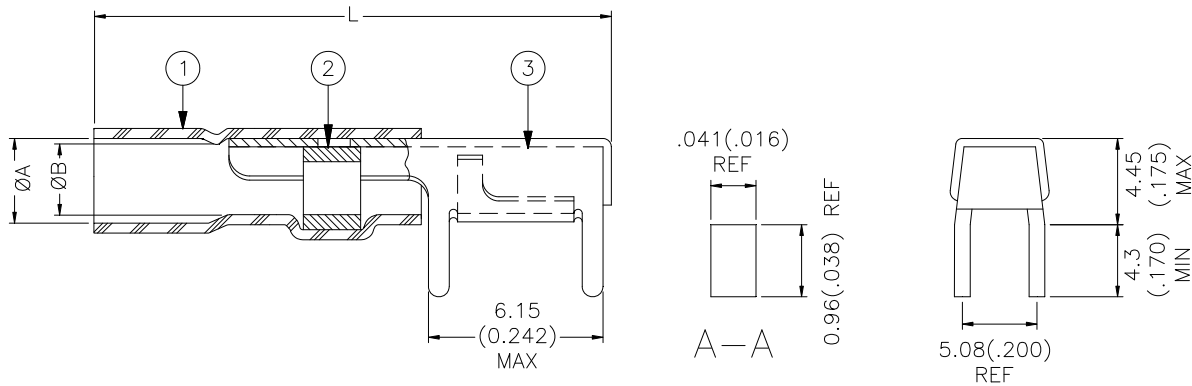


CUSTOMER DRAWING



| Product Name | Product Dimensions | | | Cable Dimensions | |
|--------------|--------------------|----------------|----------------|--------------------------------|--------------------------------|
| | L max | øA min | øB min | øD | øE ¹ |
| D-607-10 | 24.0 (0.945) | 4.0 (0.155) | 2.8 (0.110) | 1.8 to 4.0 (0.070 to 0.155) | 1.9 to 2.8 (0.075 to 0.110) |

1) Shield may be folded back over jacket to increase diameter.

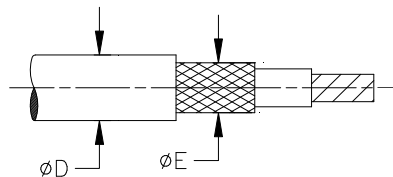
MATERIALS

- INSULATION SLEEVE: Heat-shrinkable, transparent blue, radiation cross-linked polyvinylidene fluoride.
- SOLDER PREFORM WITH FLUX:
SOLDER: TYPE Sn63 per ANSI-J-STD-006.
FLUX: TYPE ROL0 per ANSI-J-STD-004.
- TERMINATOR BODY BASE METAL: Copper alloy.
Plating: Tin lead solder per SAE Specification AMS-P-81728.

APPLICATION

- These parts are designed to provide an environment protected shield termination on cables, rated for 125°C minimum, meeting the dimensional criteria listed, having tin, or silver-plated copper shields.
- Temperature range: -55°C to +150°C. Install using TE Connectivity approved convection or infrared tools in accordance with TE Connectivity assembly procedure ES-61139.

For best results, prepare the cable as shown:



| | | | | | | | |
|--|---|---|------------------------------|--------------------------------|------------|--|--|
| | | Raychem Devices | | TITLE: PCB TERMINATOR | | | |
| UNLESS OTHERWISE SPECIFIED DIMENSIONS ARE IN MILLIMETERS. INCHES DIMENSIONS ARE BETWEEN BRACKETS. | | | | DOCUMENT NO.: D-607-10 | | | |
| TOLERANCES: 0.00 N/A 0.0 N/A 0 N/A | ANGLES: N/A ROUGHNESS IN MICRON | TE Connectivity reserves the right to amend this drawing at any time. Users should evaluate the suitability of the product for their application. | | DOCUMENT REVISION: J | | REVISION ISSUE DATE: 12-MAR-2020 | |
| DRAWN BY: M. FORONDA | DATE: 24-AUG-1999 | CAGE CODE: 06090 | ECO NUMBER: ECO-20-003669 | SCALE: None | SIZE: A | SHEET: 1 of 1 | |

X-ON Electronics

Largest Supplier of Electrical and Electronic Components

Click to view similar products for [Solder Sleeves & Shield Tubing](#) category:

Click to view products by [TE Connectivity](#) manufacturer:

Other Similar products are found below :

[899170-000](#) [620040N001](#) [620069N003](#) [CTA-0050-01](#) [629624-000](#) [6500750004](#) [6501390002](#) [CX0781-000](#) [696396-000](#) [697080-000](#) [D-150-0331CS2902](#) [D-181-1222-90/9CS2800](#) [D-300-01CS1108](#) [715325N001](#) [908357N001](#) [982127-1](#) [D-436-0182CS246](#) [D-436-37CS2651](#) [D-436-61CS246](#) [D-436-82-CS2621](#) [D-659-0087](#) [E53797N001](#) [CB0213-000](#) [CB0219-000](#) [S200-2-01](#) [S200-4-00CS2904](#) [LSS-81-16AA-CS5575](#) [ST18-2-00](#) [FLX40-020-04-CS8651](#) [325534-000](#) [CTA-0025](#) [D-108-07CS436](#) [D-128-0010](#) [D-141-0108CS404](#) [D-144-41CS1371](#) [D-150-0231-NRCS2896](#) [D-150-1011](#) [395947-000](#) [427243N001](#) [B-801-18-01](#) [515-9](#) [C67137-000](#) [CB0220-000](#) [D-436-0185CS1102](#) [D-436-36CS2908](#) [D-436-37CS2908](#) [D-436-52CS246](#) [D-436-83CS2705](#) [D44133N001](#) [LSS-26-8A](#)