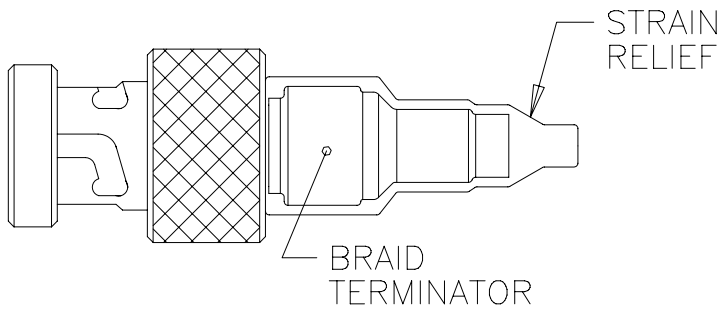
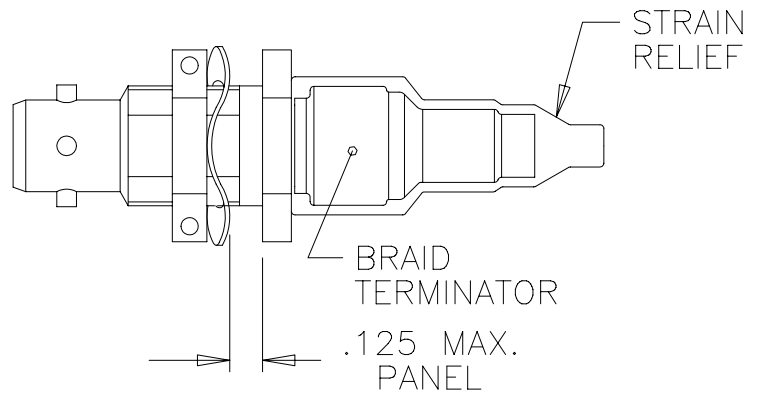




REVISIONS			
LTR	DESCRIPTION	DATE	APPROVED
B	COMPILED AND REDRAWN ON CAD PER ECN# T-15296	90 NOV 8	Z. TEMAN
C	REVISED PER ECN# T-16826	91 OCT 21	Z. TEMAN
D	REVISED AND RENAMED PER ECN# T-20892 "WAS" D-621-X033/X040	96 JUL 15	Z. TEMAN



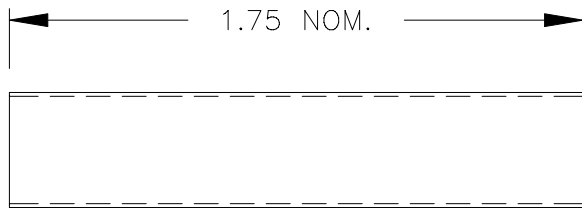
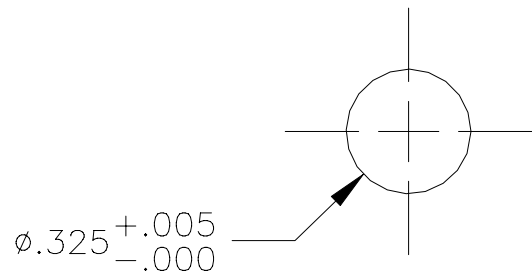
PLUG



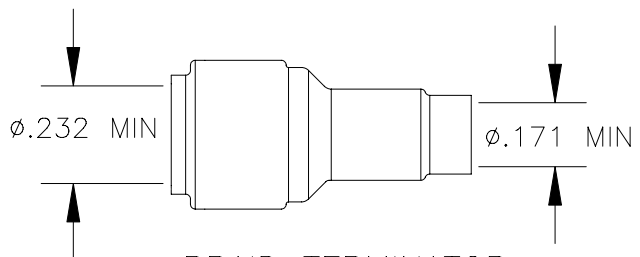
JACK

CONNECTOR	INTERFACE	QUANTITY
D-621-0033 PLUG	"A" PER FIGURE	1
D-621-0034 JACK	"A" PER FIGURE	2
D-621-0035 PLUG	"B" PER FIGURE	3
D-621-0036 JACK	"B" PER FIGURE	4
D-621-0037 PLUG	"C" PER FIGURE	5
D-621-0038 JACK	"C" PER FIGURE	6
D-621-0039 PLUG	"D" PER FIGURE	7
D-621-0040 JACK	"D" PER FIGURE	8

JACK MOUNTING HOLE (PREFERRED)



UNRECOVERED STRAIN RELIEF: D-600-0019



BRAID TERMINATOR  
D-600-0032

## SPECIFICATION CONTROL DRAWING

UNLESS OTHERWISE SPECIFIED DIMENSIONS ARE IN INCHES. METRIC DIMENSIONS ARE IN BRACKETS.

DECIMALS  
 .XXX ± — [ — mm]  
 .XX ± — [ — mm]  
 ANGLES  
 .X ± —  
 WEIGHT  
 — lbs [ — g]

DRAWN	J.B.K.	90 NOV 6
CHECKED		
APPROVED		
APPROVED	Z.TEMAN	90 NOV 8
CAD NAME	004993-1	
THIRD ANGLE PROJECTION		

**Raychem**

RAYCHEM CORPORATION  
 300 CONSTITUTION DRIVE  
 MENLO PARK, CALIFORNIA 94025

TITLE  
 CONNECTOR, TRIAXIAL,  
 SUBMINIATURE,  
 BAYONET COUPLED

SIZE	CODE IDENT. NO.	DWG. NO.	REV
A	06090	D-621-0033/0040	D
DO NOT SCALE THIS DRAWING			SHEET 1 OF 3



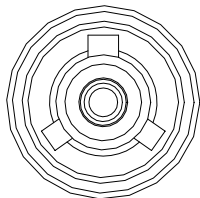
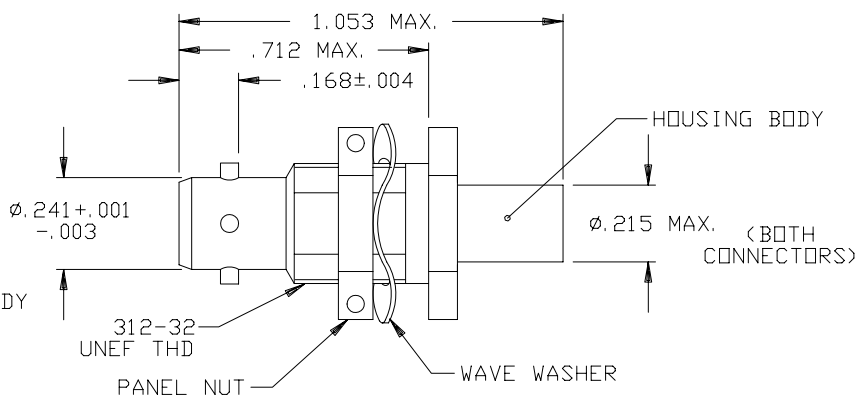
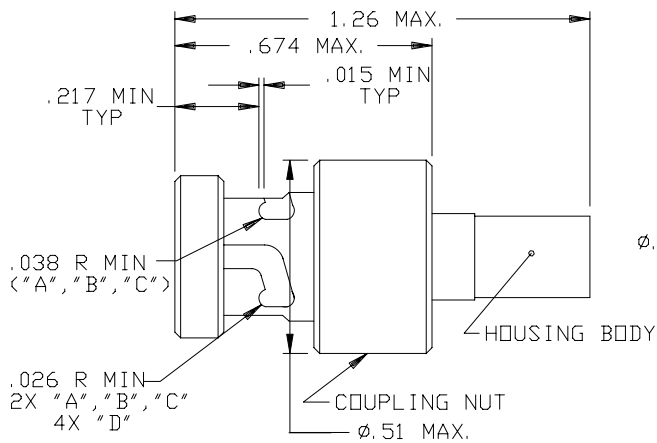


FIGURE 1 "A"

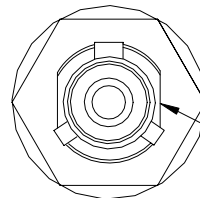


FIGURE 2 "A"

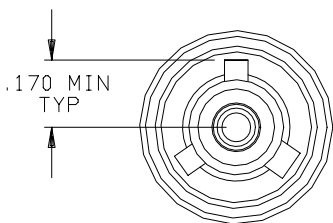


FIGURE 3 "B"

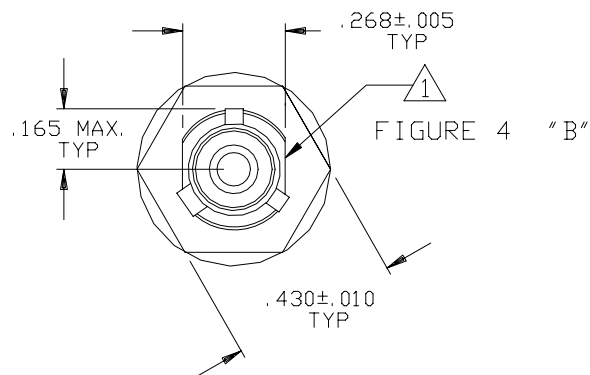


FIGURE 4 "B"

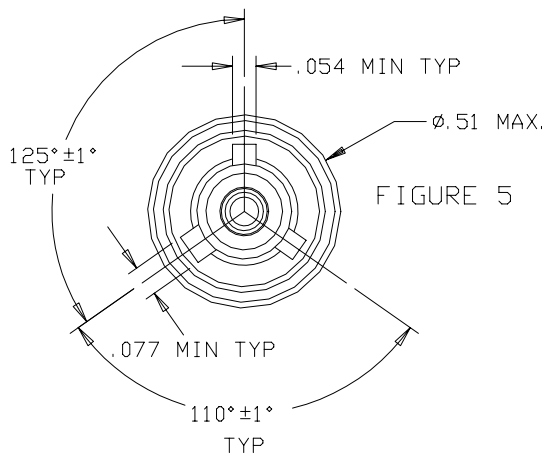


FIGURE 5 "C"

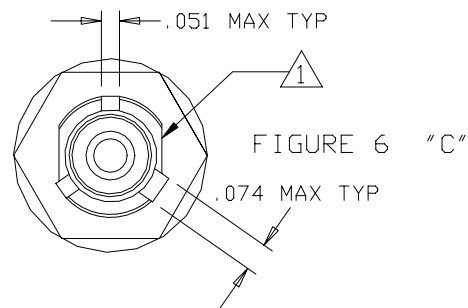


FIGURE 6 "C"

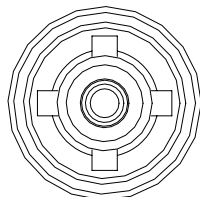


FIGURE 7 "D"

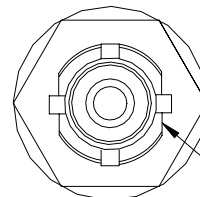


FIGURE 8 "D"

INTERFACE

▲ MAJOR KEY ORIENTATION WITH RESPECT TO FLATS IS NOT CONTROLLED.

NOTES:

CAD NAME: 004993-2	DRAWN	J. B. K.	90 NOV 6	SIZE A	CODE IDENT. NO. 06090	DWG. NO. D-621-0033/0040	REV D
	ISSUED			DO NOT SCALE THIS DRAWING		SHEET 2 OF 3	

SPECIFICATIONS

SEE SHEET 1 FOR REVISION

1.0 MATERIALS AND FINISHES

- 1.1 HOUSING BODY: BeCu ALLOY, ASTM B196, TB00 OR TD04,  
TIN PLATED PER MIL-T-10727 TYPE I,  
OVER NICKEL PER MIL-C-26074
- 1.1.1 INSULATION (MIP): POLYETHERSULFONE
- 1.2 COUPLING NUT (PLUG): BeCu ALLOY, ASTM B196, TB00 OR TD04,  
NICKEL PER MIL-C-26074
- 1.3 PANEL NUT (JACK): BRASS ALLOY PER ASTM B16,  
NICKEL PLATED PER MIL-C-26074
- 1.4 WAVE WASHER (JACK): BeCu PER ASTM B194  
NICKEL PLATED PER QQ-N-290
- 1.5 BRAID TERMINATOR
- 1.5.1 BODY: BRASS ALLOY PER ASTM B16, TIN-LEAD PLATED  
PER MIL-P-81728A
- 1.5.2 SOLDER PREFORM: Sn63 PER QQ-S-571
- 1.5.3 INSULATION SLEEVE: POLYVINYLIDENE FLUORIDE
- 1.6 STRAIN RELIEF: WHITE RNF-100 WITH ADHESIVE

2.0 CONTACTS

CABLE TYPE	TRIAxIAL	TWINAXIAL	COAXIAL
CONTACT(S)	D-602-44 (PIN) D-602-45 (SOCKET)	D-602-0126 (PIN) D-602-0127 (SOCKET)	D-610-09 (PIN) D-610-10 (SOCKET)

3.0 SEE ES61162 FOR CABLE ACCOMODATION AND TERMINATION INFORMATION.

4.0 PERFORMANCE REQUIREMENTS

4.1 REFER TO RAYCHEM SPECIFICATION D-6025 FOR PRODUCT PERFORMANCE AND  
QUAILIFICATION REQUIREMENTS.

5.0 GENERAL CHARACTERISTICS

- 5.1 OPERATING TEMPERATURE: -65°C TO 125°C
- 5.2 INSULATION RESISTANCE: GREATER THAN 5K MEG
- 5.3 DIELECTRIC STRENGTH: 900 VAC @ 60 Hz
- 5.4 CURRENT RATING: 3 AMPS MAX.
- 5.5 CONTACT RESISTANCE: INITIAL: 8 MILLIOHMS MAX.
- 5.6 PANEL NUT TORQUE (JACK): 10-15 INCH/LBS (WHEN INSTALLING IN PANEL)

6.0 RAYCHEM CABLES (CONSULT RAYCHEM FOR OTHER CABLE REQUIREMENTS)

- 10602
- 10605
- 10612
- 10613
- 10614

CAD NAME: 004993-3	DRAWN	J. B. K.	90 NOV 6	SIZE	CODE IDENT. NO.	DWG. NO.	REV
	ISSUED			A	06090	D-621-0033/0040	D
DO NOT SCALE THIS DRAWING						SHEET 3 OF 3	

## X-ON Electronics

Largest Supplier of Electrical and Electronic Components

*Click to view similar products for [Data Bus Components - Connectors](#) category:*

*Click to view products by [TE Connectivity](#) manufacturer:*

Other Similar products are found below :

[891382-000](#) [626023-000](#) [855793-000](#) [D-500-0255-021-01CS252](#) [D-621-0211](#) [D-704-0079](#) [DK-621-0047-2PCS228](#) [DK-621-0412CS325](#)  
[DK-621-1637-3P](#) [911225N001](#) [F33352-000](#) [187711-000](#) [201526-000](#) [491952-000](#) [D-600-0174](#) [D-621-0011CS1271](#) [D-621-0472](#) [D-711-03](#)  
[DK-621-0050-1P](#) [DK-621-0412-UP](#) [DK-621-0440-4P-CS1498](#) [499725-000](#) [514433-000](#) [E40867-000](#) [614637N002](#) [645241N002](#) [734977-000](#)  
[D-500-L455-1-612-360](#) [DK-621-0436-2P-CS1498](#) [041809-000](#) [199653-000](#) [580047-000](#) [608041-000](#) [DK-621-0411-45S](#) [DK-621-0411-US](#)  
[DK-621-1633-1S](#) [DK-621-1635-2PCS324](#) [DK-621-1636-2S](#) [DK-621-1638-3S](#) [DK-621-1639-4S](#) [DK-621-1640-4P](#) [149317-000](#) [DK-621-](#)  
[0435R-2S](#) [915480-000](#) [DK-621-0435-2UP](#) [D-621-0412-JD](#) [D-621-0477](#) [D-621-0412](#) [DK-621-0411-UP](#) [DK-621-0437-3S](#)