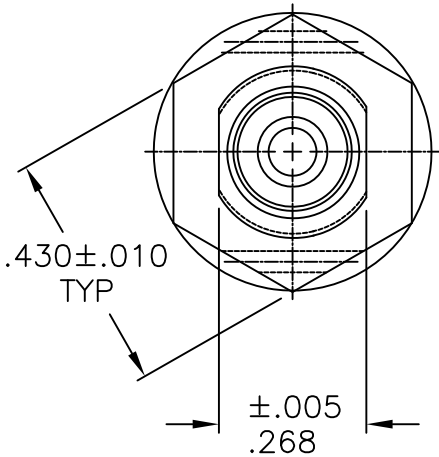
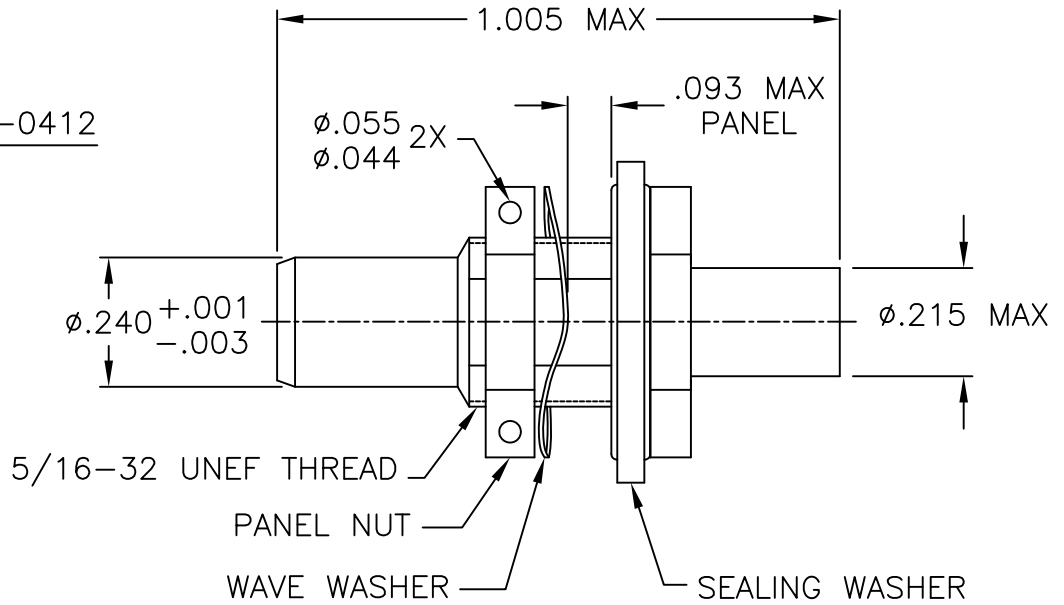


JACK MOUNTING HOLE
(PREFERRED)

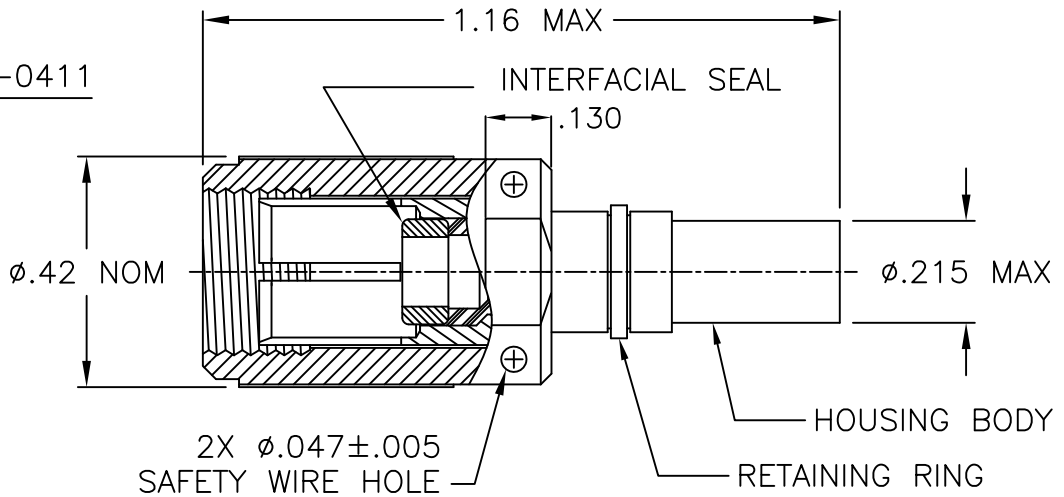
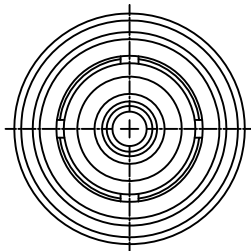
JACK ASSEMBLY: D-621-0412



REVISION		
REV	DESCRIPTION	DATE
D	REVISED PER DCR NUMBER T-16795	
E	REVISED PER DCR NUMBER T-31786	5/9/03
F	REVISED PER ECO NUMBER 14-015910	21/10/14



PLUG ASSEMBLY: D-621-0411



CUSTOMER DRAWING

UNLESS OTHERWISE SPECIFIED
DIMENSIONS ARE INCHES. METRIC
DIMENSIONS ARE IN BRACKETS.

DRAWN J.B.K. DATE 91 AUG 9



Raychem
Products

DECIMAL TOLERANCES
.XXX ± --- [--- mm]
.XX ± --- [--- mm]
.X ± --- [--- mm]

ANGLE TOLERANCE
.X ± ---

WEIGHT

MATERIAL
FINISH

TITLE
CONNECTOR, TRIAXIAL
SUBMINIATURE
THREADED COUPLER

THIRD ANGLE
PROJECTION

SIZE A CODE IDENT. NO. 06090 DWG. NO. D-621-0411/0412

CAD FILE T31786A

DO NOT SCALE THIS DRAWING

SHEET 1 OF 2

SPECIFICATIONS

SEE SHEET 1 FOR REVISION

1.0 MATERIALS AND FINISHES

- 1.1 HOUSING BODY: (PLUG) BRASS ALLOY PER ASTM-B16, TIN PLATED PER ASTM-B545 OVER NICKEL PER MIL-C-26074.
- (JACK) BECU PER ASTM-B196, TB00 OR TD04, TIN PLATED PER ASTM-B545, OVER NICKEL PER MIL-C-26074.
- 1.1.1 INSULATION (MIP): POLYETHERSULFONE
- 1.2 COUPLING NUT: BRASS ALLOY PER ASTM-B16, TIN PLATED PER ASTM-B545 OVER NICKEL PER MIL-C-26074.
- (PLUG)
- 1.3 PANEL NUT: BRASS ALLOY PER ASTM-B16, TIN PLATED PER ASTM-B545 OVER NICKEL PER MIL-C-26074
- (JACK)
- 1.4 WAVE WASHER: SPRING STEEL OR BECU, TIN PLATED PER ASTM-B545 OVER NICKEL PER MIL-C-26074.
- (JACK)
- 1.5 INTERFACIAL SEAL (PLUG): SILICONE RUBBER
- 1.6 SEALING WASHER: ELASTOMER: SILICONE PER A-A-59588 (SAE-AMS3304)
WASHER: STAINLESS STEEL PER SAE-AMS5513, HALF-HARD OR ANNEALED, PASSIVATED PER SAE AMS-QQ-P-35.

2.0 CONTACTS

2.1 THE CONNECTORS WILL ACCOMMODATE THE FOLLOWING TYCO ELECTRONICS/RAYCHEM CONTACTS:

CABLE TYPE	TRIAxIAL	TWINAXIAL	COAXIAL
CONTACTS	D-602-44 (PIN) D-602-45 (SOCKET)	D-602-0126 (PIN) D-602-0127 (SOCKET)	D-610-09 (PIN) D-610-10 (SOCKET)

3.0 SEE ES-61162 FOR CABLE ACCOMODATION AND TERMINATION INFORMATION. ANY OTHER APPLICATIONS SHOULD BE SUBMITTED TO RAYCHEM FOR EVALUATION.

4.0 PERFORMANCE REQUIREMENTS

4.1 REFER TO TYCO ELECTRONICS/RAYCHEM SPECIFICATION D-6025 FOR PRODUCT PERFORMANCE AND QUALIFICATION REQUIREMENTS.

5.0 GENERAL CHARACTERISTICS

- 5.1 OPERATING TEMPERATURE: -65°C TO 125°C
- 5.2 INSULATION RESISTANCE: GREATER THEN 5K MEG
- 5.3 DIELECTRIC STRENGTH: 900 VAC @ 60 Hz
- 5.4 CURRENT RATING: 3 AMPS MAX
- 5.5 CONTACT RESISTANCE: INITIAL: 8 MILLIOHMS MAX.
- 5.6 MATING COUPLE TORQUE: 10 INCH/LBS MAX.
- 5.7 PANEL NUT TORQUE (JACK): 10-15 INCH/LBS (WHEN INSTALLING IN PANEL)
- 5.8 INSERTION FORCE: 3 LBS MAX.
- 5.9 WITHDRALWAL FORCE: 1 OUNCE MAX
- 5.10 CONTACT RETENTION TERMINATED: 20 LBS MIN.
- 5.11 DURABILITY: 500 CYCLES
- 5.12 CORROSION RESISTANCE: 1000 HOURS

CUSTOMER DRAWING

DRAWN	J.B.K.	91 AUG 9	SIZE	CODE IDENT. NO.	DWG. NO.	REV
CAD FILE:T31786B			A	06090	D-621-0411/0412	F
DO NOT SCALE THIS DRAWING				SCALE: NONE		SHEET 2 OF 2

X-ON Electronics

Largest Supplier of Electrical and Electronic Components

Click to view similar products for [Data Bus Components - Connectors](#) category:

Click to view products by [TE Connectivity](#) manufacturer:

Other Similar products are found below :

[891382-000](#) [626023-000](#) [D-500-0255-021-01CS252](#) [D-621-0211](#) [D-704-0079](#) [DK-621-0047-2PCS228](#) [DK-621-0047-2SCS228](#) [DK-621-0412CS325](#) [911225N001](#) [F33352-000](#) [187711-000](#) [201526-000](#) [477472-000](#) [491952-000](#) [D-600-0174](#) [D-621-0476-L](#) [D-711-03](#) [DK-621-0049-1P](#) [DK-621-0050-1P](#) [DK-621-0412-UP](#) [DK-621-0440-4P-CS1498](#) [514433-000](#) [614637N002](#) [645241N002](#) [734977-000](#) [DK-621-0436-2P-CS1498](#) [041809-000](#) [199653-000](#) [468675-000](#) [608041-000](#) [DK-621-0411-45S](#) [DK-621-1635-2PCS324](#) [DK-621-1636-2S](#) [DK-621-1638-3S](#) [DK-621-1640-4P](#) [149317-000](#) [DK-621-0435R-2S](#) [011689-000](#) [D-621-0412-JD](#) [DK-621-0437-3S](#) [DK-621-0435-2S](#) [143981-000](#) [156542-000](#) [210033-000](#) [361727-000](#) [438510-000](#) [477643-000](#) [491332-000](#) [118345-000](#) [633671-000](#)