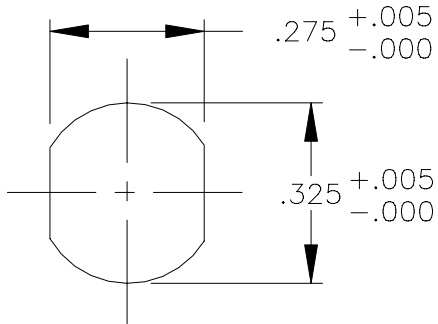
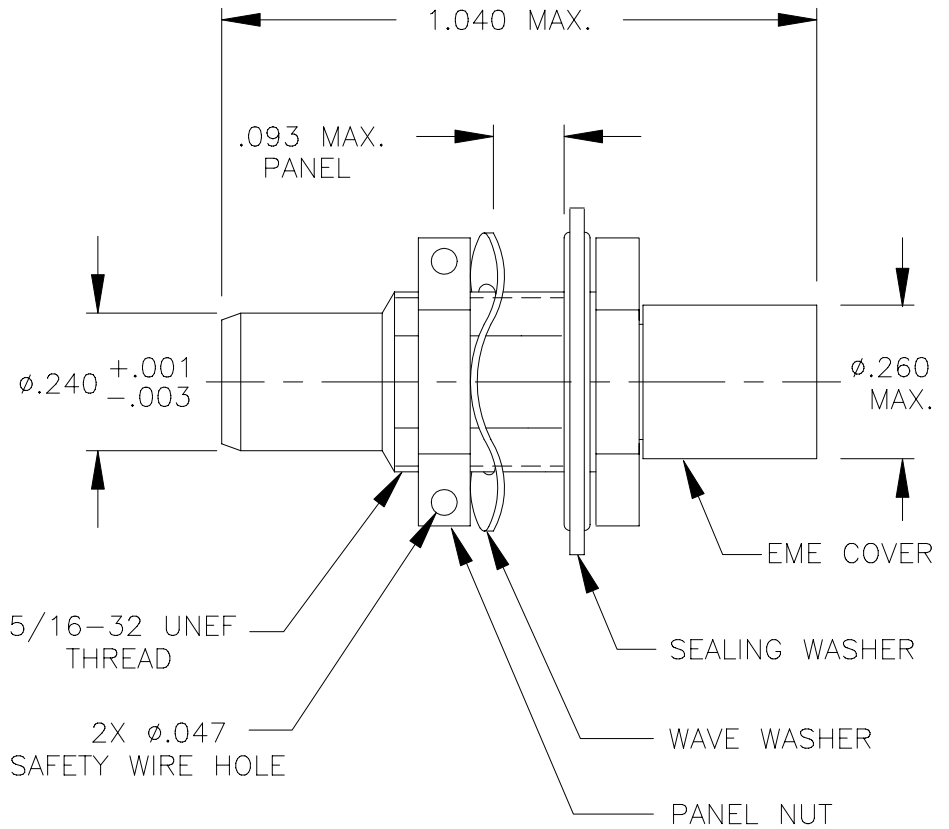
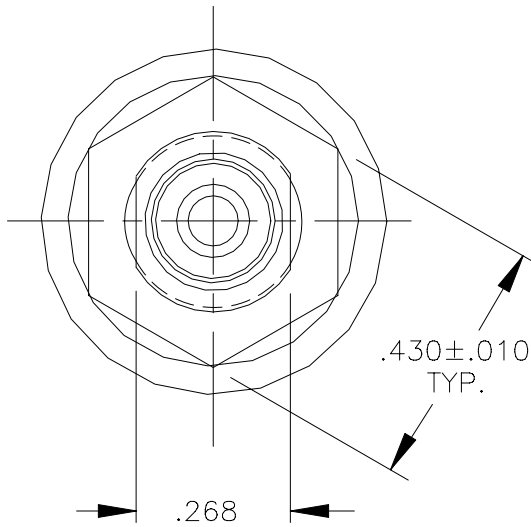




REVISIONS			
LTR	DESCRIPTION	DATE	APPROVED
N/C	INITIAL RELEASE PER DCR# T-26611	6/15/2000	M.HIGGY
A	RELEASE PER DCR# T-28039	9/11/2000	M.HIGGY



PREFERED MOUNTING HOLE

SPECIFICATION CONTROL DRAWING

UNLESS OTHERWISE SPECIFIED DIMENSIONS ARE IN INCHES. METRIC DIMENSIONS ARE IN BRACKETS.

DECIMALS
 .XXX ± .005 [— mm]
 .XX ± — [— mm]
 ANGLES
 .X ± —
 WEIGHT
 — lbs [— g]

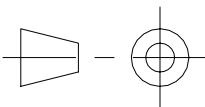
DRAWN	ZS.O.	6/1/2000
CHECKED		
APPROVED	M.HIGGY	6/15/2000
CAD NAME:	T28039a.DWG	
RPN. NO.	171246-000	

Raychem

RAYCHEM CORPORATION
 300 CONSTITUTION DRIVE
 MENLO PARK, CALIFORNIA 94025

TITLE
 JACK, DUMMY
 CONNECTOR, SUBMINIATURE,
 THREADED COUPLED

THIRD ANGLE PROJECTION



SIZE	CODE IDENT. NO.	DWG. NO.	REV
A	06090	D-621-0412-JD	A
DO NOT SCALE THIS DRAWING		SCALE: NONE	SHEET 1 OF 2



SPECIFICATIONS

1.0 MATERIALS AND FINISHES

- 1.1 HOUSING BODY: BeCu ALLOY, ASTM B196, TB00 OR TD04,
TIN PLATED PER MIL-T-10727
OVER NICKEL PER MIL-C-26074
- 1.2 INSULATION (MIP): POLYETHERSULFONE
- 1.3 PANEL NUT: BRASS ALLOY PER ASTM B16,
TIN PLATED PER MIL-T-10727
OVER NICKEL PER MIL-C-26074
- 1.4 WAVE WASHER: SPRING STEEL OR BeCu PER ASTM B194
TIN PLATED PER MIL-T-10727
OVER NICKEL PER MIL-C-26074
- 1.5 SEALING WASHER: ELASTOMER: SILICONE PER ASM-3304
WASHER: CRES PER MIL-S-5059 HALF HARD
OR ANNEALED PASSIVATE PER QQ-P-35
- 1.6 EME COVER: STAINLESS STEEL & 30300 COND. A
(TYPE 303) PER ASTM A582.
PASSIVATED PER QQ-P-35.

2.0 GENERAL CHARACTERISTICS

- 2.1 OPERATING TEMPERATURE: -65°C TO 125°C
- 2.2 MATING COUPLING TORQUE: 10 INCH/LBS MAX.
- 2.3 PANEL NUT TORQUE: 10-15 INCH/LBS (WHEN INSTALLING IN PANEL)

3.0 INTENDED USE

THIS PRODUCT IS INTENDED TO PROVIDE A BULKHEAD MOUNTED SEALED CAP TO A D-621-0411 PLUG.

CAD NAME: T28039b.DWG	DRAWN	ZS.O.	6/1/2000	SIZE	CODE IDENT. NO.	DWG. NO.	REV
	ISSUED			A	06090	D-621-0412-JD	A
				DO NOT SCALE THIS DRAWING		SCALE: NONE	SHEET 2 OF 2

X-ON Electronics

Largest Supplier of Electrical and Electronic Components

Click to view similar products for [Data Bus Components - Connectors](#) category:

Click to view products by [TE Connectivity](#) manufacturer:

Other Similar products are found below :

[626023-000](#) [D-500-0255-021-01CS252](#) [D-621-0211](#) [D-704-0079](#) [DK-621-0047-2SCS228](#) [DK-621-0412CS325](#) [911225N001](#) [F33352-000](#)
[187711-000](#) [201526-000](#) [477472-000](#) [491952-000](#) [D-600-0174](#) [D-621-0476-L](#) [D-711-03](#) [DK-621-0049-1P](#) [DK-621-0050-1P](#) [DK-621-0412-](#)
[UP](#) [DK-621-0440-4P-CS1498](#) [514433-000](#) [614637N002](#) [645241N002](#) [734977-000](#) [DK-621-0436-2P-CS1498](#) [041809-000](#) [199653-000](#)
[468675-000](#) [608041-000](#) [DK-621-0411-45S](#) [DK-621-1635-2PCS324](#) [DK-621-1636-2S](#) [DK-621-1638-3S](#) [DK-621-1640-4P](#) [149317-000](#) [DK-](#)
[621-0435R-2S](#) [011689-000](#) [D-621-0412-JD](#) [DK-621-0437-3S](#) [DK-621-0435-2S](#) [143981-000](#) [156542-000](#) [210033-000](#) [361727-000](#) [438510-](#)
[000](#) [477643-000](#) [491332-000](#) [118345-000](#) [633671-000](#) [638491-000](#) [639215-000](#)