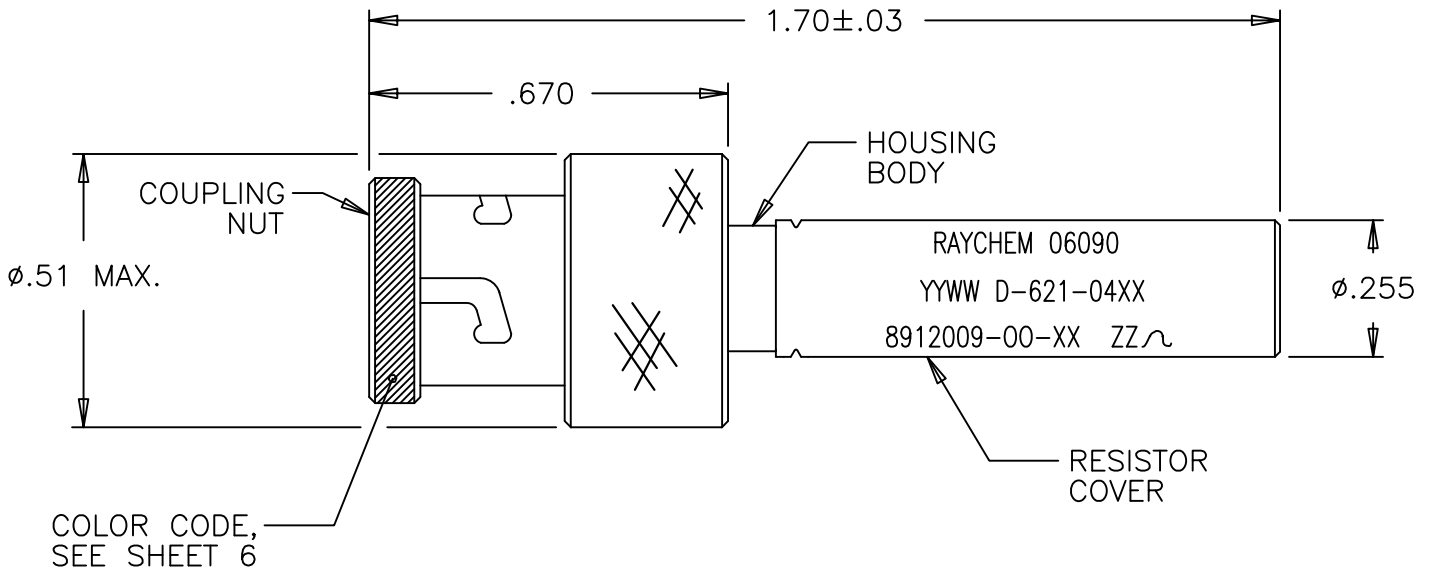


REVISIONS			
LTR	DESCRIPTION	DATE	APPROVED
D	REVISED PER ECN T-14105 (LANYARD WAS 6in)	90MAR29	Z. TEMAN
E	REVISED PER ECN# T-17959	93JAN06	Z. TEMAN
F	REVISED PER ECN# T-21489	6/10/97	Z. TEMAN
F1	REVISED DWG PER ECO-11-009073	5/02/2011	E.CHEN


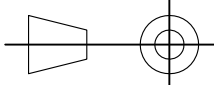
NOTE: (-L) ADDED TO D-621-04XX NUMBER INDICATES LANYARD (See Sheets 3 and 4),



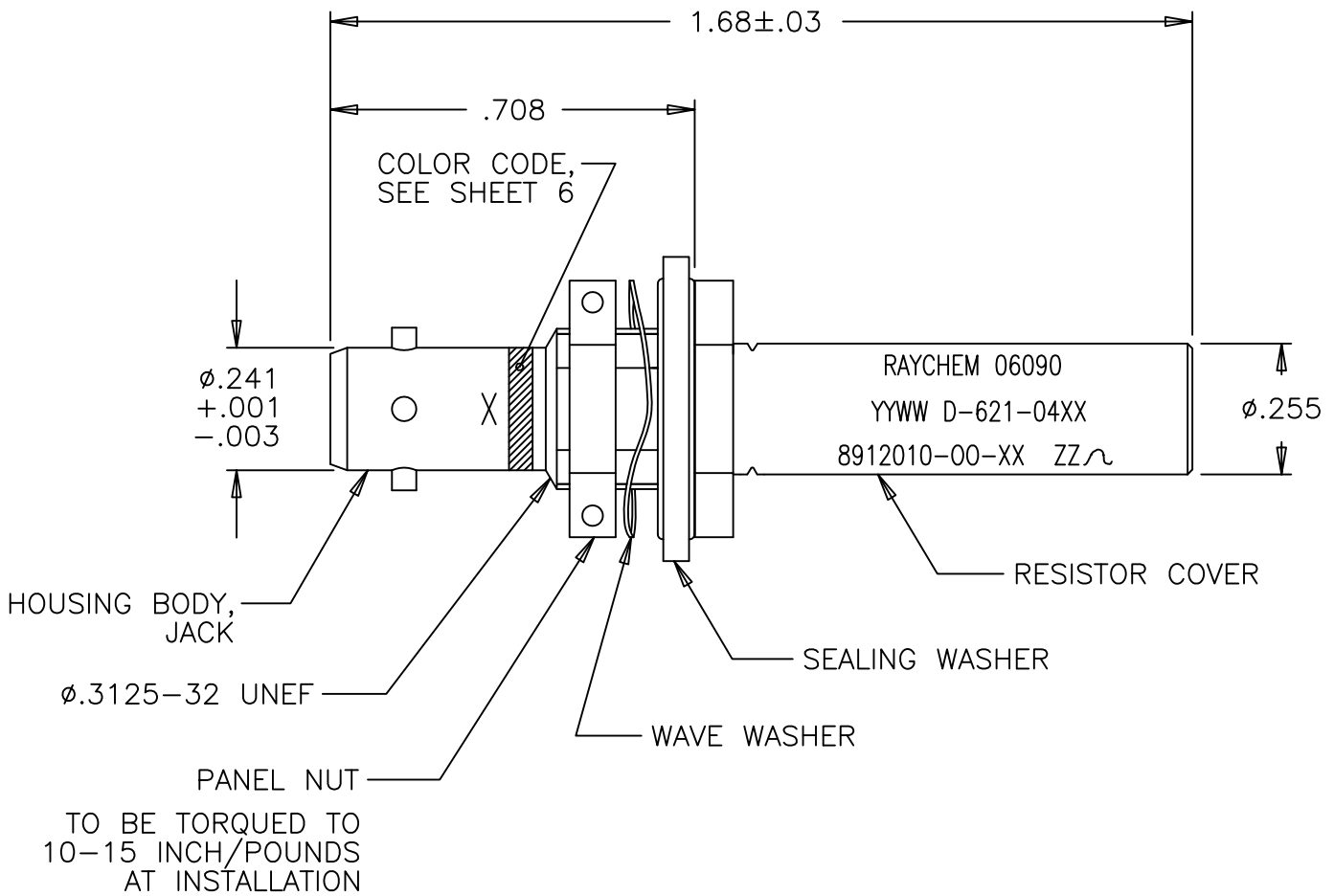
(TRIAxIAL CONNECTOR, PLUG WEIGHT: 16 GRAMS MAX.)

© 2011 Tyco Electronics Corporation. All Rights Reserved.

Raychem Databus
CUSTOMER DRAWING

UNLESS OTHERWISE SPECIFIED DIMENSIONS ARE IN INCHES. METRIC DIMENSIONS ARE IN BRACKETS. DECIMALS .XXX ± .005 { — mm } .XX ± .01 { — mm } ANGLES .X ± 1° WEIGHT — lbs { — g MAX. }	DRAWN J.B.K. 89 JULY 21	 TE Connectivity	TITLE CORROSION RESISTANT CONNECTOR, TRIAXIAL, BAYONET COUPLED, RESISTOR TERMINATOR	
	CHECKED			
	APPROVED			
	APPROVED Z.TEMAN 89 JULY 26			
	CAD NAME D-621-0453_0484-La_CD_F1	SIZE CODE IDENT. NO. DWG. NO. REV A 06090 D-621-0453/0484-L F1		
THIRD ANGLE PROJECTION		DO NOT SCALE THIS DRAWING	SHEET 1 OF 7	





(TRIAxIAL CONNECTOR, JACK WEIGHT: 14 GRAMS MAX.)

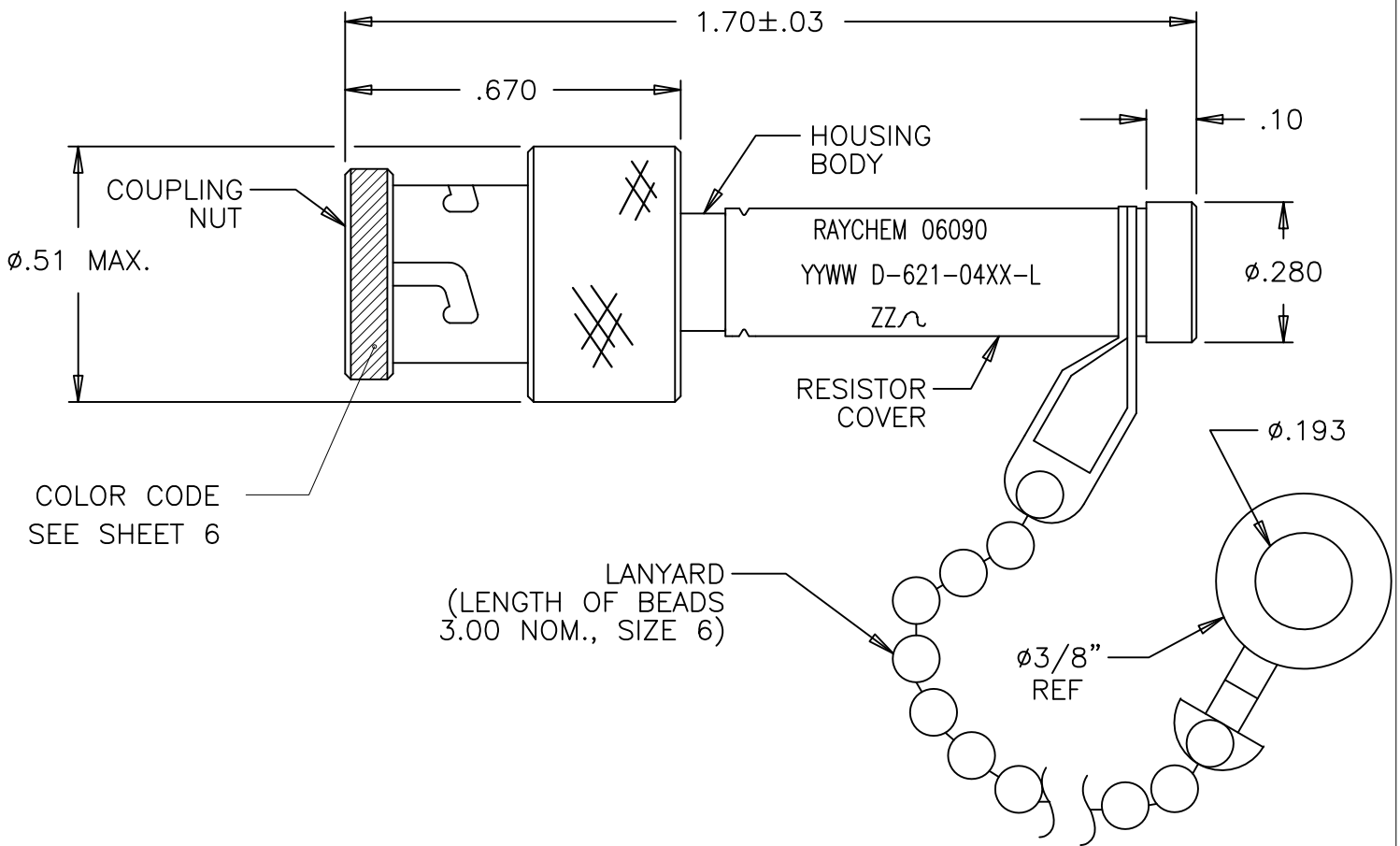
Raychem Databus
CUSTOMER DRAWING



TE Connectivity

CAD NAME: D-621-0453_0484-Lb_CD_F1	DRAWN	J.B.K.	89 JULY 21	SIZE A	CODE IDENT. NO. 06090	DWG. NO. D-621-0453/0484-L	REV F1
	ISSUED			DO NOT SCALE THIS DRAWING		SHEET 2 OF 7	





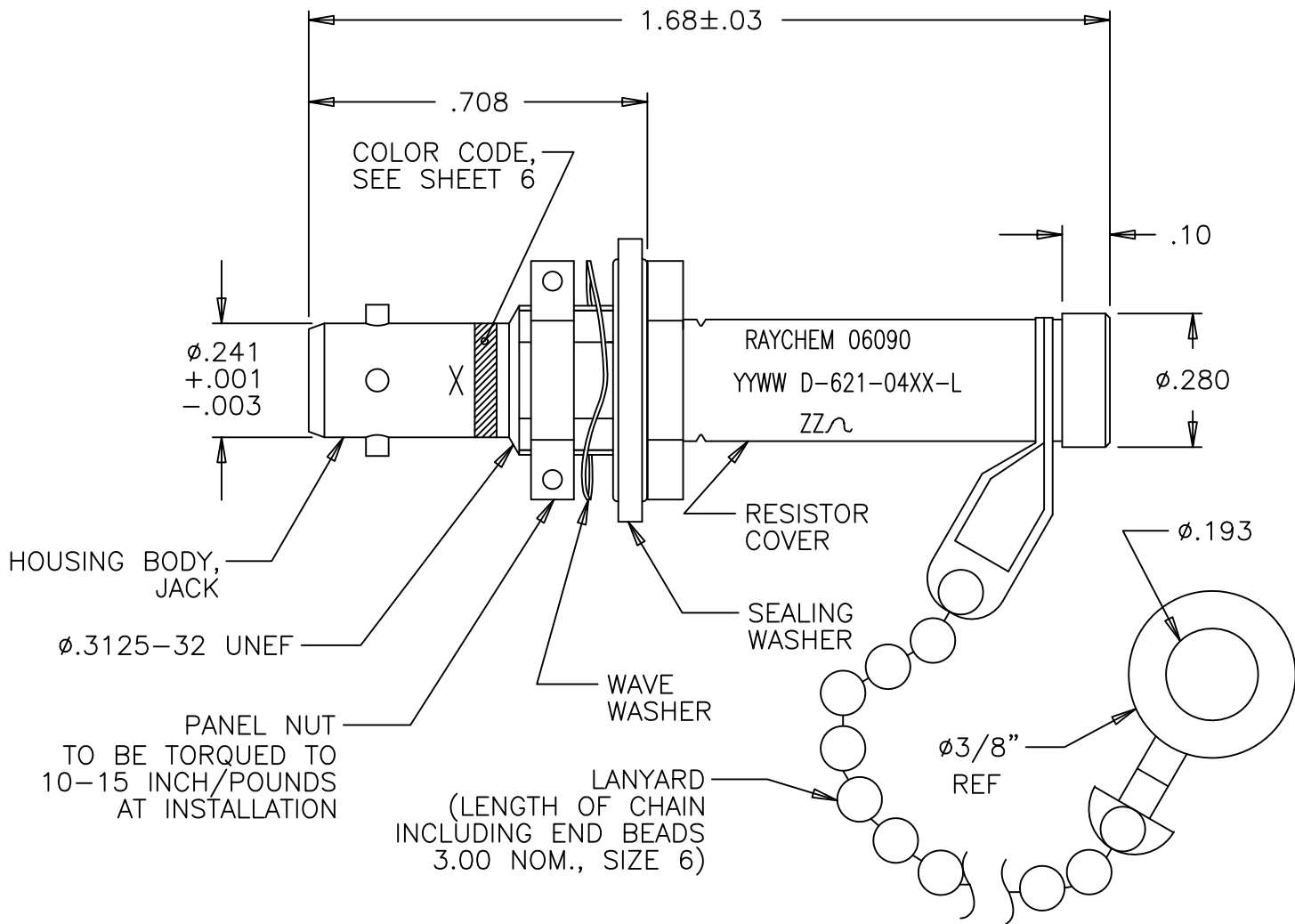
(TRIAxIAL CONNECTOR, WITH LANYARD, PLUG WEIGHT: 21 GRAMS MAX.)

Raychem Databus
CUSTOMER DRAWING



TE Connectivity

CAD NAME: D-621-0453_0484-Lc_CD_F1	DRAWN	J.B.K.	89 AUG 25	SIZE	CODE IDENT. NO.	DWG. NO.	REV
	ISSUED			A	06090	D-621-0453/0484-L	F1
DO NOT SCALE THIS DRAWING						SHEET 3 OF 7	



TRIAxIAL CONNECTOR, WITH LANYARD, JACK WEIGHT: 19 GRAMS MAX.)

Raychem Databus
CUSTOMER DRAWING



TE Connectivity

CAD NAME:

D-621-0453_0484-Ld_CD_F1

DRAWN

J.B.K.

89 JULY 21

SIZE

A

CODE IDENT. NO.

06090

DWG. NO.

D-621-0453/0484-L

REV

F1

DO NOT SCALE THIS DRAWING

SHEET 4 OF 7





1.0 MATERIALS AND FINISHES

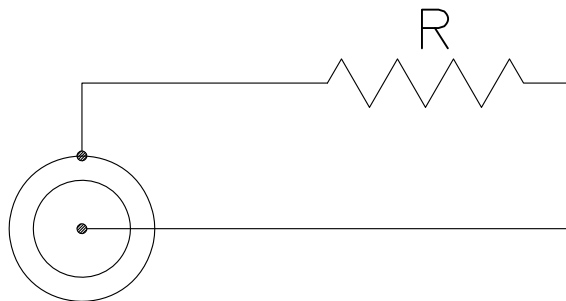
- 1.1 HOUSING BODY: BECU PER ASTM B 196, TIN PLATED PER MIL-T-10727, OVER NICKEL PER QQ-N-290
- 1.1.1 INSULATION: POLYETHERSULFONE
- 1.2 COUPLING NUT: (PLUG) BECU PER ASTM B 196, TIN PLATED PER MIL-T-10727, OVER NICKEL PER QQ-N-290
- 1.2.1 INTERFACIAL SEAL: SILICONE RUBBER
- 1.3 PANEL NUT: (JACK) BRASS ALLOY PER ASTM B16, TIN PLATED PER MIL-T-10727 OVER NICKEL PER QQ-N-290
- 1.4 WAVE WASHER: (JACK) BECU PER ASTM B194, TIN PLATED PER MIL-T-10727 OVER NICKEL PER QQ-N-290
- 1.5 SEALING WASHER: (JACK) SILICONE RUBBER (AMS 3304), STAINLESS STEEL PER MIL-S-5059, PASSIVATED PER QQ-P-35.
- 1.6 RESISTOR COVER: 300 SERIES STAINLESS STEEL PER ASTM A582, TIN PLATED PER MIL-T-10727, OVER NICKEL PER MIL-C-26074
- 1.7 LANYARD: CORROSION RESISTANT STEEL, TIN PLATED PER MIL-T-10727, OVER NICKEL PER QQ-N-290

2.0 PERFORMANCE CAPABILITIES

2.1 REFER TO RAYCHEM SPECIFICATION D-6025 (SUPERSEDES D-6050) AND D-6020 FOR PERFORMANCE AND QUALIFICATION REQUIREMENTS.

2.2 GENERAL CHARACTERISTICS.

- 2.2.1 OPERATING TEMPERATURE: -65°C TO 125°C
- 2.2.2 INSULATION RESISTANCE: GREATER THEN 5K MEG *
- 2.2.3 DIELECTRIC STRENGTH: 900 VAC AT 60 Hz *
- 2.2.4 POWER RATING: 1 WATT MAX.
- 2.2.5 TERMINATOR RESISTANCE: SEE RESISTANCE VALUES, SHEET 7 OF 7
- 2.2.6 SALT SPRAY CORROSION RESISTANCE: 500 HOURS



* BETWEEN INNER COAXIAL CONTACT AND OUTER HOUSING

R = SEE SHEET 7 OF 7 FOR RESISTANCE VALUE ±2%

Raychem Databus
CUSTOMER DRAWING

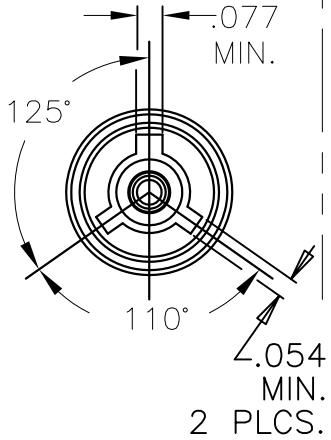


TE Connectivity

CAD NAME: D-621-0453_0484-Le_CD_F1	DRAWN	J.B.K.	89 JULY 21	SIZE	CODE IDENT. NO.	DWG. NO.	REV
	ISSUED			A	06090	D-621-0453/0484-L	F1
DO NOT SCALE THIS DRAWING						SHEET 5 OF 7	

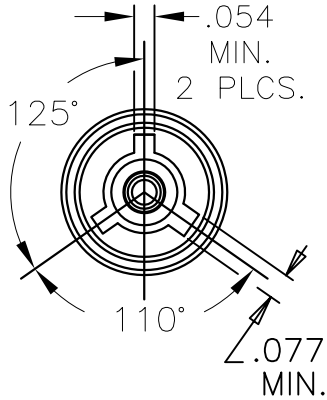


INTERFACE
"A"
PLUG



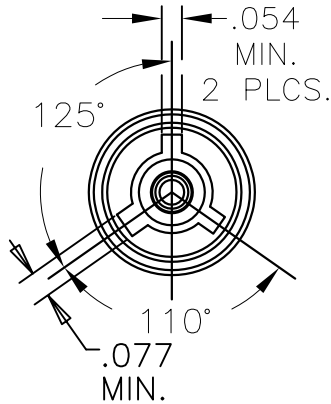
COLOR CODE: RED

INTERFACE
"B"
PLUG



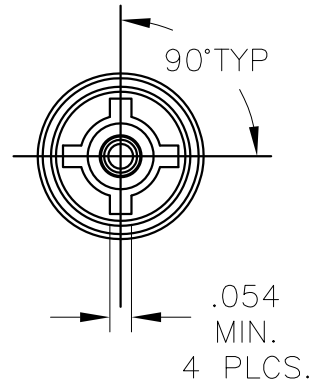
COLOR CODE: WHITE

INTERFACE
"C"
PLUG



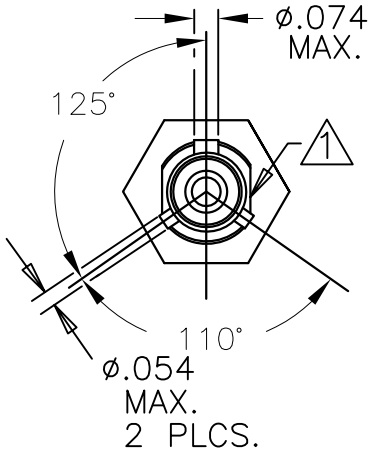
COLOR CODE: GREEN

INTERFACE
"D"
PLUG

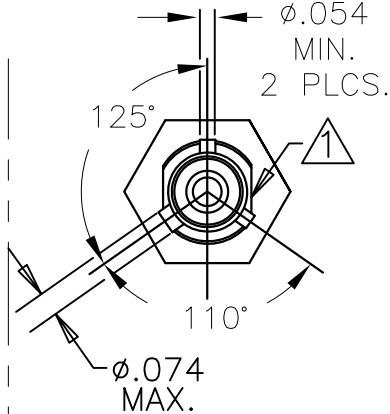


NO COLOR CODE

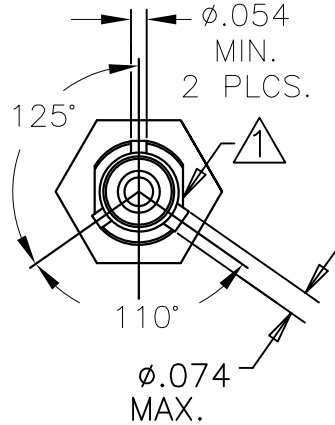
JACK



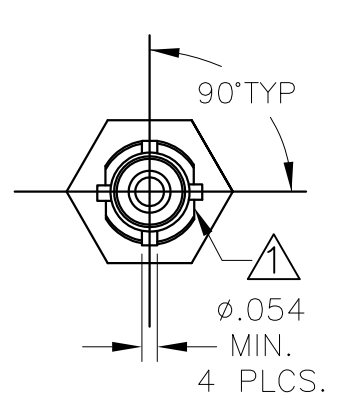
JACK



JACK



JACK



NOTES:

① MAJOR KEY ORIENTATION WITH RESPECT TO FLATS IS NOT CONTROLLED.

Raychem Databus
CUSTOMER DRAWING



TE Connectivity

CAD NAME:

D-621-0453_0484-Lf_CD_F1

DRAWN

J.B.K.

89 JULY 21

SIZE

A

CODE IDENT. NO.

06090

DWG. NO.

D-621-0453/0484-L

REV

F1

DO NOT SCALE THIS DRAWING

SHEET 6 OF 7

NOTES:

- ① SUFFIX -L INDICATES PARTS WITH LANYARD, SEE SHEETS 3 AND 4.
 -L PARTS DO NOT HAVE USAF NUMBERS.

DRAWING NO. ①	USAF DRAWING NO. ①	DESCRIPTION			RESISTANCE VALUE ±2%
		CONNECTOR	INTERFACE	INSTALLED CONTACT	
D-621-0453(-L)	8912009-00-05	PLUG	"A"	PIN	78 OHMS
D-621-0454(-L)	8912009-00-06	PLUG	"B"	PIN	78 OHMS
D-621-0455(-L)	8912009-00-07	PLUG	"C"	PIN	78 OHMS
D-621-0456(-L)	8912009-00-08	PLUG	"D"	PIN	78 OHMS
D-621-0457(-L)	8912009-00-01	PLUG	"A"	PIN	3000 OHMS
D-621-0458(-L)	8912009-00-02	PLUG	"B"	PIN	3000 OHMS
D-621-0459(-L)	8912009-00-03	PLUG	"C"	PIN	3000 OHMS
D-621-0460(-L)	8912009-00-12	PLUG	"D"	SOCKET	3000 OHMS
D-621-0461(-L)	8912010-00-13	JACK	"A"	SOCKET	78 OHMS
D-621-0462(-L)	8912010-00-14	JACK	"B"	SOCKET	78 OHMS
D-621-0463(-L)	8912010-00-15	JACK	"C"	SOCKET	78 OHMS
D-621-0464(-L)	8912010-00-16	JACK	"D"	SOCKET	78 OHMS
D-621-0465(-L)	8912010-00-09	JACK	"A"	SOCKET	3000 OHMS
D-621-0466(-L)	8912010-00-10	JACK	"B"	SOCKET	3000 OHMS
D-621-0467(-L)	8912009-00-11	JACK	"C"	SOCKET	3000 OHMS
D-621-0468(-L)	8912009-00-12	JACK	"D"	SOCKET	3000 OHMS
D-621-0469(-L)	8912009-00-13	PLUG	"A"	SOCKET	78 OHMS
D-621-0470(-L)	8912009-00-14	PLUG	"B"	SOCKET	78 OHMS
D-621-0471(-L)	8912009-00-15	PLUG	"C"	SOCKET	78 OHMS
D-621-0472(-L)	8912009-00-16	PLUG	"D"	SOCKET	78 OHMS
D-621-0473(-L)	8912009-00-09	PLUG	"A"	SOCKET	3000 OHMS
D-621-0474(-L)	8912009-00-10	PLUG	"B"	SOCKET	3000 OHMS
D-621-0475(-L)	8912009-00-11	PLUG	"C"	SOCKET	3000 OHMS
D-621-0476(-L)	8912009-00-04	PLUG	"D"	PIN	3000 OHMS
D-621-0477(-L)	8912009-00-05	JACK	"A"	PIN	78 OHMS
D-621-0478(-L)	8912009-00-06	JACK	"B"	PIN	78 OHMS
D-621-0479(-L)	8912009-00-07	JACK	"C"	PIN	78 OHMS
D-621-0480(-L)	8912009-00-08	JACK	"D"	PIN	78 OHMS
D-621-0481(-L)	8912009-00-01	JACK	"A"	PIN	3000 OHMS
D-621-0482(-L)	8912009-00-02	JACK	"B"	PIN	3000 OHMS
D-621-0483(-L)	8912009-00-03	JACK	"C"	PIN	3000 OHMS
D-621-0484(-L)	8912009-00-04	JACK	"D"	PIN	3000 OHMS

Raychem Databus
CUSTOMER DRAWING



TE Connectivity

CAD NAME: D-621-0453_0484-Lg_CD_F1	DRAWN	J.B.K.	89 AUG 25	SIZE A	CODE IDENT. NO. 06090	DWG. NO. D-621-0453/0484-L	REV F1
	ISSUED			DO NOT SCALE THIS DRAWING		SHEET 7 OF 7	



X-ON Electronics

Largest Supplier of Electrical and Electronic Components

Click to view similar products for [Data Bus Components - Connectors](#) category:

Click to view products by [TE Connectivity](#) manufacturer:

Other Similar products are found below :

[891382-000](#) [626023-000](#) [D-500-0255-021-01CS252](#) [D-621-0211](#) [D-704-0079](#) [DK-621-0047-2PCS228](#) [DK-621-0047-2SCS228](#) [DK-621-0412CS325](#) [911225N001](#) [F33352-000](#) [187711-000](#) [201526-000](#) [477472-000](#) [491952-000](#) [D-600-0174](#) [D-621-0476-L](#) [D-711-03](#) [DK-621-0049-1P](#) [DK-621-0050-1P](#) [DK-621-0412-UP](#) [DK-621-0440-4P-CS1498](#) [514433-000](#) [614637N002](#) [645241N002](#) [734977-000](#) [DK-621-0436-2P-CS1498](#) [041809-000](#) [199653-000](#) [468675-000](#) [608041-000](#) [DK-621-0411-45S](#) [DK-621-1635-2PCS324](#) [DK-621-1636-2S](#) [DK-621-1638-3S](#) [DK-621-1640-4P](#) [149317-000](#) [DK-621-0435R-2S](#) [011689-000](#) [D-621-0412-JD](#) [DK-621-0437-3S](#) [DK-621-0435-2S](#) [143981-000](#) [156542-000](#) [210033-000](#) [361727-000](#) [438510-000](#) [477643-000](#) [491332-000](#) [118345-000](#) [633671-000](#)