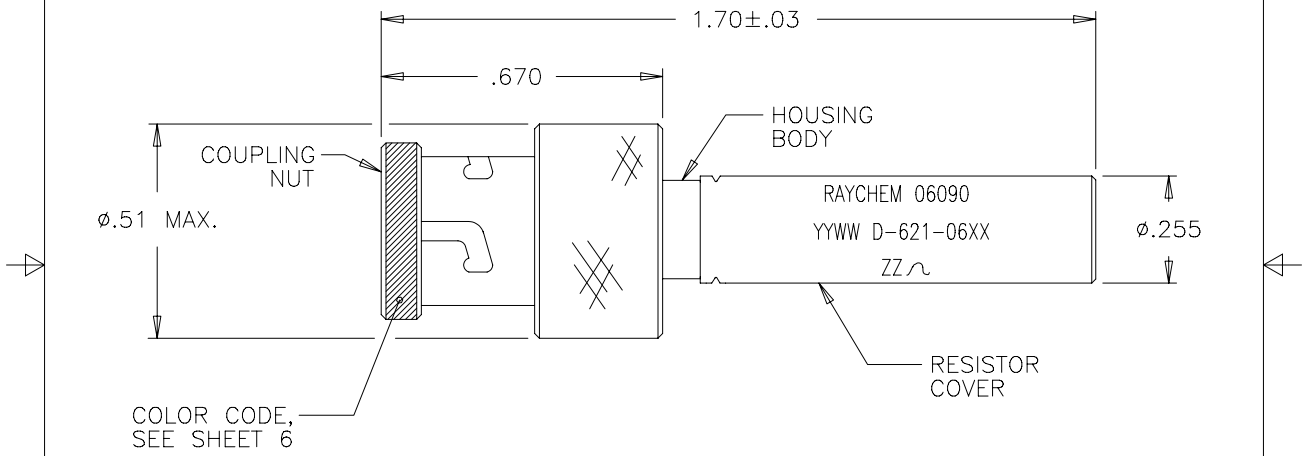


REVISIONS			
LTR	DESCRIPTION	DATE	APPROVED
F	REVISED PER ECN T-12846	89 SEPT 9	Z. TEMAN
G	REVISED PER ECN# T-14157	90 APR 10	Z. TEMAN
H	REVISED PER ECN# T-21490	6/10/97	Z. TEMAN

* (-L) ADDED TO D-621-04XX NUMBER INDICATES LANYARD, SEE SHEETS 3 AND 4.

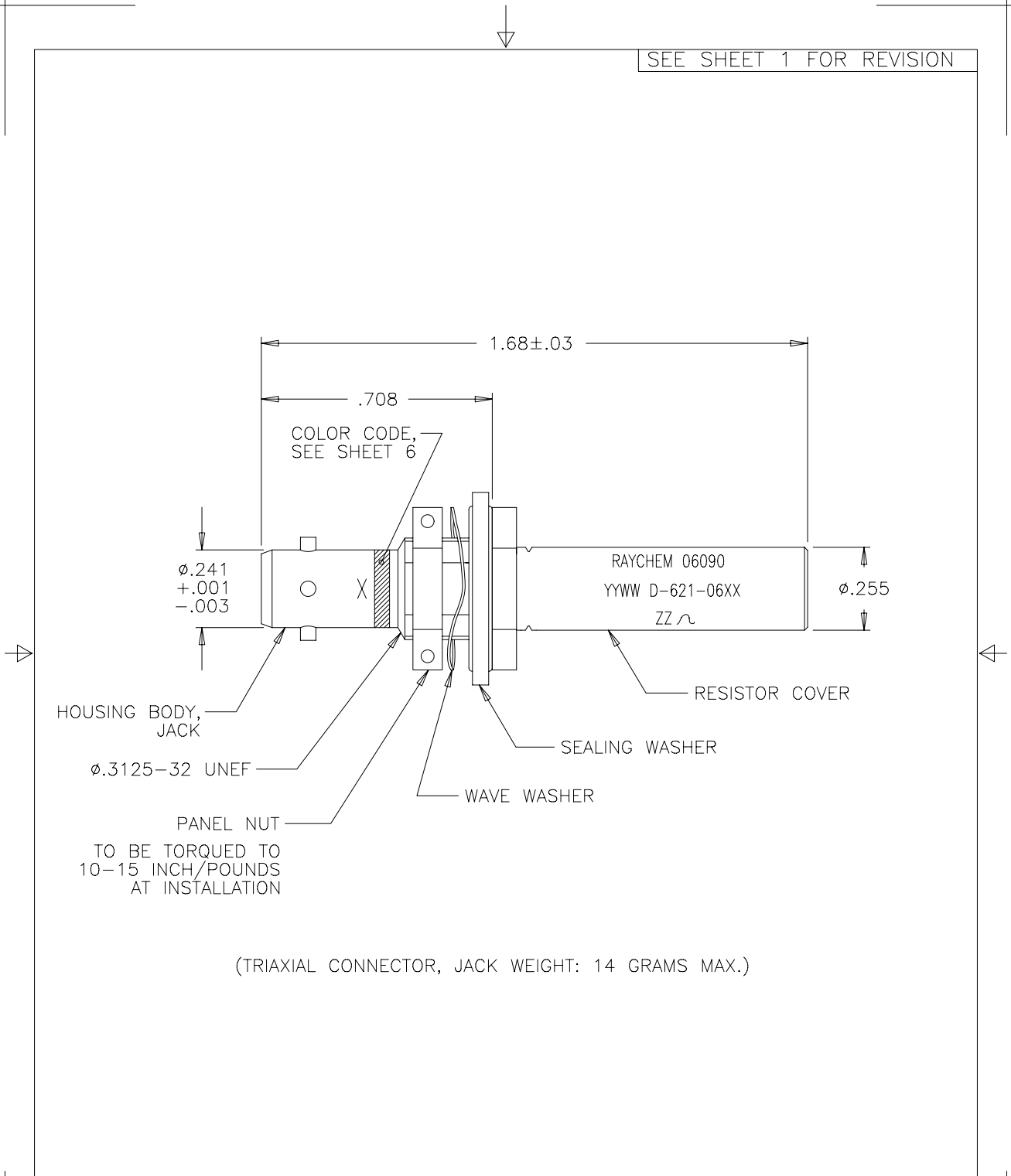


(TRIAXIAL CONNECTOR, PLUG WEIGHT: 16 GRAMS MAX.)

SPECIFICATION CONTROL DRAWING

UNLESS OTHERWISE SPECIFIED DIMENSIONS ARE IN INCHES. METRIC DIMENSIONS ARE IN BRACKETS. DECIMALS .XXX ± .005 { — mm } .XX ± .01 { — mm } ANGLES .X ± 1° WEIGHT — lbs { — g MAX. }	DRAWN	J.B.K.	89 JULY 21	<i>Raychem</i> RAYCHEM CORPORATION 300 CONSTITUTION DRIVE MENLO PARK, CALIFORNIA 94025			
	CHECKED						
	APPROVED			TITLE			
	APPROVED	Z.TEMAN	89 JULY 26	CORROSION RESISTANT CONNECTOR, TRIAXIAL, BAYONET COUPLED, RESISTOR TERMINATOR			
	CAD NAME	T21490a		SIZE	CODE IDENT. NO.	DWG. NO.	* REV
THIRD ANGLE PROJECTION			A	06090	D-621-0653/0684	[-L]	H
DO NOT SCALE THIS DRAWING					SHEET 1 OF 7		

SEE SHEET 1 FOR REVISION



HOUSING BODY,
JACK

0.3125-32 UNEF

PANEL NUT

TO BE TORQUED TO
10-15 INCH/POUNDS
AT INSTALLATION

COLOR CODE,
SEE SHEET 6

WAVE WASHER

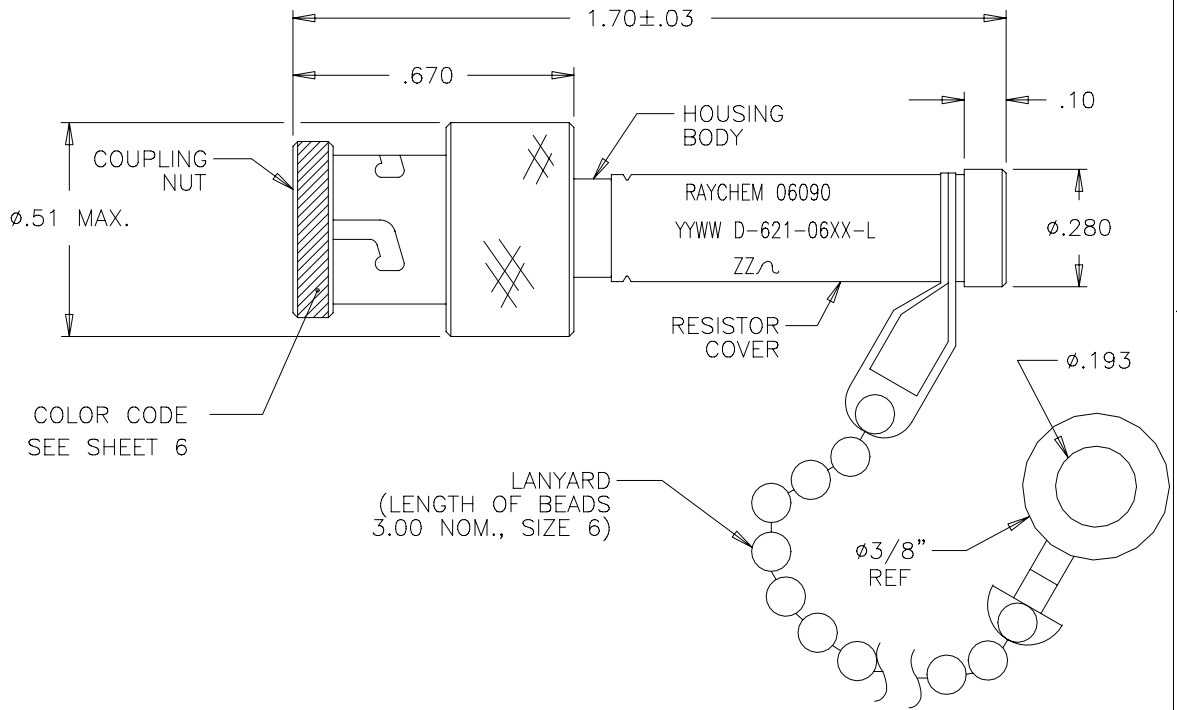
SEALING WASHER

RESISTOR COVER

(TRIAxIAL CONNECTOR, JACK WEIGHT: 14 GRAMS MAX.)

CAD NAME: T21490b	DRAWN	J.B.K.	89 JULY 21	SIZE	CODE IDENT. NO.	DWG. NO.	REV
	ISSUED			A	06090	D-621-0653/0684[-L]	H
DO NOT SCALE THIS DRAWING						SHEET 2 OF 7	

SEE SHEET 1 FOR REVISION



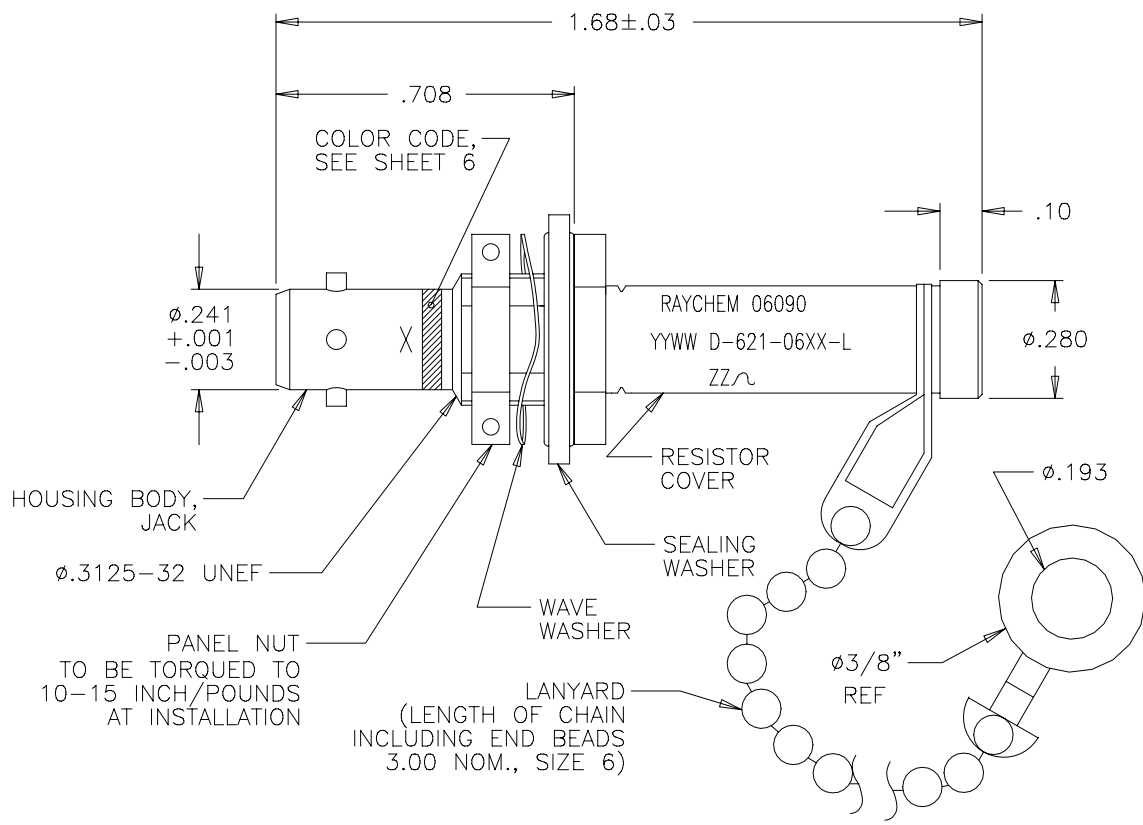
COLOR CODE
SEE SHEET 6

(TRIAxIAL CONNECTOR, WITH LANYARD, PLUG WEIGHT: 21 GRAMS MAX.)

CAD NAME: T21490c

DRAWN	J.B.K.	89 AUG 25	SIZE	CODE IDENT. NO.	DWG. NO.	REV
ISSUED			A	06090	D-621-0653/0684(-L)	H
DO NOT SCALE THIS DRAWING					SHEET 3 OF 7	

SEE SHEET 1 FOR REVISION



TRIAxIAL CONNECTOR, WITH LANYARD, JACK WEIGHT: 19 GRAMS MAX.)

CAD NAME: T21490d	DRAWN	J.B.K.	89 JULY 21	SIZE	CODE IDENT. NO.	DWG. NO.	REV
	ISSUED			A	06090	D-621-0653/0684[-L]	H
DO NOT SCALE THIS DRAWING						SHEET 4 OF 7	

SEE SHEET 1 FOR REVISION

1.0 MATERIALS AND FINISHES

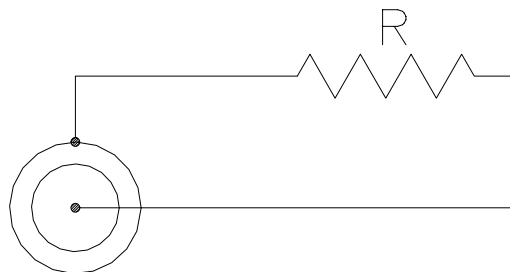
- 1.1 HOUSING BODY: BECU PER ASTM B 196, TIN PLATED PER MIL-T-10727, OVER NICKEL PER QQ-N-290
- 1.1.1 INSULATION: POLYETHERSULFONE
- 1.2 COUPLING NUT: (PLUG) BECU PER ASTM B 196, TIN PLATED PER MIL-T-10727, OVER NICKEL PER QQ-N-290
- 1.2.1 INTERFACIAL SEAL: SILICONE RUBBER
- 1.3 PANEL NUT: (JACK) BRASS ALLOY PER ASTM B16, TIN PLATED PER MIL-T-10727, OVER NICKEL PER QQ-N-290.
- 1.4 WAVE WASHER: (JACK) BECU PER ASTM B194, TIN PLATED PER MIL-T-10727 OVER NICKEL PER QQ-N-290
- 1.5 SEALING WASHER: (JACK) SILICONE RUBBER (AMS 3304), STAINLESS STEEL PER MIL-S-5059, PASSIVATED PER QQ-P-35.
- 1.6 RESISTOR COVER: 300 SERIES STAINLESS STEEL PER ASTM A582, TIN PLATED PER MIL-T-10727, OVER NICKEL PER MIL-C-26074
- 1.7 LANYARD: CORROSION RESISTANT STEEL, TIN PLATED PER MIL-T-10727, OVER NICKEL PER QQ-N-290

2.0 PERFORMANCE CAPABILITIES

2.1 REFER TO RAYCHEM SPECIFICATION D-6025 (SUPERSEDES D-6050) AND D-6020 FOR PERFORMANCE AND QUALIFICATION REQUIREMENTS.

2.2 GENERAL CHARACTERISTICS.

- 2.2.1 OPERATING TEMPERATURE: -65°C TO 125°C
- 2.2.2 INSULATION RESISTANCE: GREATER THEN 5K MEG *
- 2.2.3 DIELECTRIC STRENGTH: 900 VAC AT 60 Hz *
- 2.2.4 POWER RATING: 1 WATT MAX.
- 2.2.5 TERMINATOR RESISTANCE: SEE RESISTANCE VALUES, SHEET 7 OF 7
- 2.2.6 SALT SPRAY CORROSION RESISTANCE: 500 HOURS



* BETWEEN INNER COAXIAL CONTACT AND OUTER HOUSING
 R = SEE SHEET 7 OF 7 FOR RESISTANCE VALUE ±2%

CAD NAME: T21490e	DRAWN	J.B.K.	89 JULY 21	SIZE	CODE IDENT. NO.	DWG. NO.	REV
	ISSUED			A	06090	D-621-0653/0684[-L]	H
DO NOT SCALE THIS DRAWING						SHEET 5 OF 7	

CAD NAME T21490f

ISSUED

DRAWN

J.B.K.

89 JULY 21

SIZE

A

CODE IDENT. NO.

06090

DWG. NO.

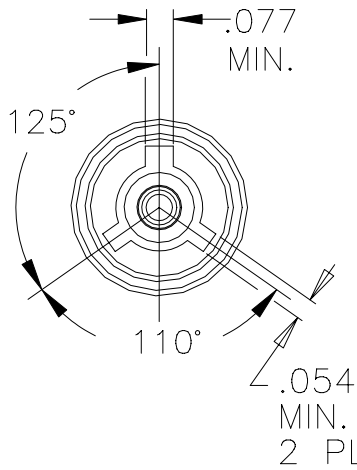
D-621-0653/0684[-1]

REV

SHEET 6 OF 7

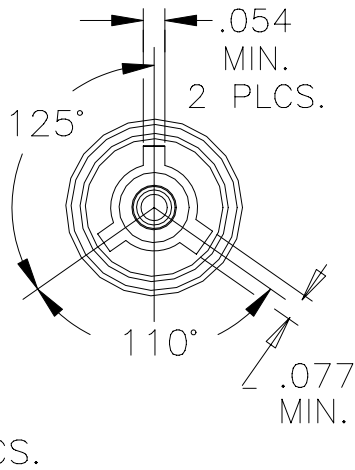
DO NOT SCALE THIS DRAWING

INTERFACE
"A"
PLUG



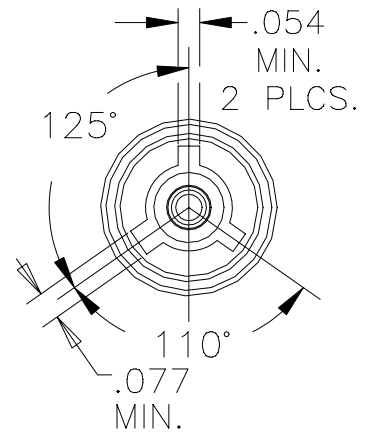
COLOR CODE: RED

INTERFACE
"B"
PLUG



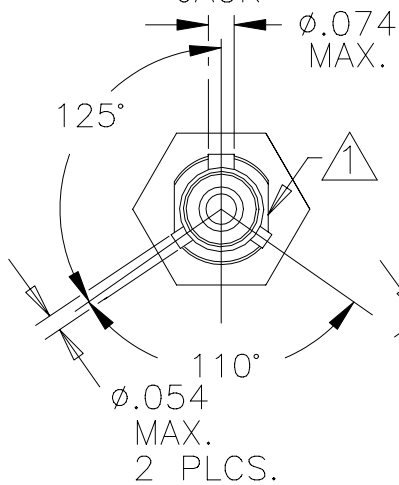
COLOR CODE: WHITE

INTERFACE
"C"
PLUG

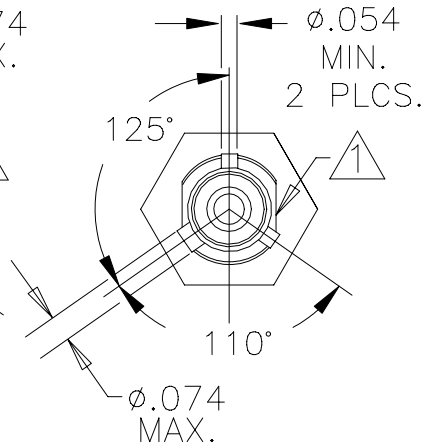


COLOR CODE: GREEN NO

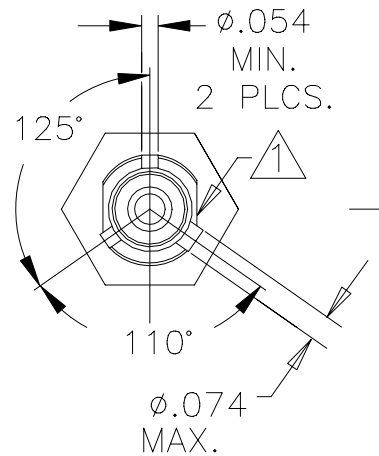
JACK



JACK



JACK



NOTES:

▲ MAJOR KEY ORIENTATION WITH RESPECT IS NOT CONTROLLED.

NOTES:

SEE SHEET 1 FOR REVISION

△ SUFFIX -L INDICATES PARTS WITH LANYARD, SEE SHEETS 3 AND 4.

DRAWING NO. △	DESCRIPTION			RESISTANCE VALUE ±2%
	CONNECTOR	INTERFACE	INSTALLED CONTACT	
D-621-0653(-L)	PLUG	"A"	PIN	78 OHMS
D-621-0654(-L)	PLUG	"B"	PIN	78 OHMS
D-621-0655(-L)	PLUG	"C"	PIN	78 OHMS
D-621-0656(-L)	PLUG	"D"	PIN	78 OHMS
D-621-0657(-L)	PLUG	"A"	PIN	3000 OHMS
D-621-0658(-L)	PLUG	"B"	PIN	3000 OHMS
D-621-0659(-L)	PLUG	"C"	PIN	3000 OHMS
D-621-0660(-L)	PLUG	"D"	SOCKET	3000 OHMS
D-621-0661(-L)	JACK	"A"	SOCKET	78 OHMS
D-621-0662(-L)	JACK	"B"	SOCKET	78 OHMS
D-621-0663(-L)	JACK	"C"	SOCKET	78 OHMS
D-621-0664(-L)	JACK	"D"	SOCKET	78 OHMS
D-621-0665(-L)	JACK	"A"	SOCKET	3000 OHMS
D-621-0666(-L)	JACK	"B"	SOCKET	3000 OHMS
D-621-0667(-L)	JACK	"C"	SOCKET	3000 OHMS
D-621-0668(_L)	JACK	"D"	SOCKET	3000 OHMS
D-621-0669(-L)	PLUG	"A"	SOCKET	78 OHMS
D-621-0670(-L)	PLUG	"B"	SOCKET	78 OHMS
D-621-0671(-L)	PLUG	"C"	SOCKET	78 OHMS
D-621-0672(-L)	PLUG	"D"	SOCKET	78 OHMS
D-621-0673(-L)	PLUG	"A"	SOCKET	3000 OHMS
D-621-0674(-L)	PLUG	"B"	SOCKET	3000 OHMS
D-621-0675(-L)	PLUG	"C"	SOCKET	3000 OHMS
D-621-0676(-L)	PLUG	"D"	PIN	3000 OHMS
D-621-0677(-L)	JACK	"A"	PIN	78 OHMS
D-621-0678(-L)	JACK	"B"	PIN	78 OHMS
D-621-0679(-L)	JACK	"C"	PIN	78 OHMS
D-621-0680(-L)	JACK	"D"	PIN	78 OHMS
D-621-0681(-L)	JACK	"A"	PIN	3000 OHMS
D-621-0682(-L)	JACK	"B"	PIN	3000 OHMS
D-621-0683(-L)	JACK	"C"	PIN	3000 OHMS
D-621-0684(-L)	JACK	"D"	PIN	3000 OHMS

CAD NAME: T21490g

DRAWN	J.B.K.	89 AUG 25	SIZE	CODE IDENT. NO.	DWG. NO.	REV
ISSUED			A	06090	D-621-0653/0684(-L)	H
DO NOT SCALE THIS DRAWING					SHEET 7 OF 7	

X-ON Electronics

Largest Supplier of Electrical and Electronic Components

Click to view similar products for [Data Bus Components - Connectors](#) category:

Click to view products by [TE Connectivity](#) manufacturer:

Other Similar products are found below :

[891382-000](#) [626023-000](#) [D-500-0255-021-01CS252](#) [D-621-0211](#) [D-704-0079](#) [DK-621-0047-2PCS228](#) [DK-621-0047-2SCS228](#) [DK-621-0412CS325](#) [911225N001](#) [F33352-000](#) [187711-000](#) [201526-000](#) [477472-000](#) [491952-000](#) [D-600-0174](#) [D-711-03](#) [DK-621-0049-1P](#) [DK-621-0050-1P](#) [DK-621-0412-UP](#) [DK-621-0440-4P-CS1498](#) [514433-000](#) [614637N002](#) [645241N002](#) [734977-000](#) [DK-621-0436-2P-CS1498](#) [041809-000](#) [199653-000](#) [468675-000](#) [608041-000](#) [DK-621-0411-45S](#) [DK-621-1635-2PCS324](#) [DK-621-1636-2S](#) [DK-621-1638-3S](#) [DK-621-1640-4P](#) [149317-000](#) [DK-621-0435R-2S](#) [011689-000](#) [D-621-0412-JD](#) [DK-621-0437-3S](#) [DK-621-0435-2S](#) [143981-000](#) [156542-000](#) [210033-000](#) [361727-000](#) [438510-000](#) [477643-000](#) [491332-000](#) [118345-000](#) [633671-000](#) [638491-000](#)