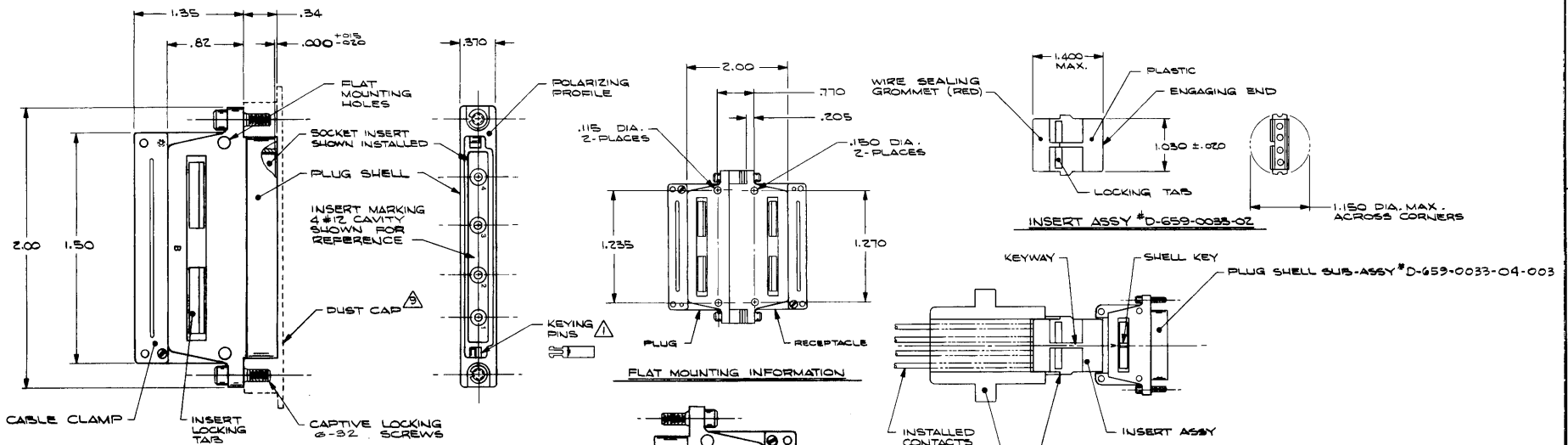
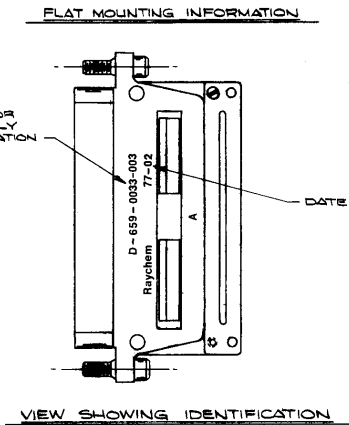


| REVISIONS | | | | |
|-----------|-----|-------------------------|-----------|----------|
| ZONE | LTR | DESCRIPTION | DATE | APPROVED |
| B | | REVISE PER DCR# T-28607 | 2/12/2001 | M.HICCY |



- NOTES:**
- ⚠ KEYING CODE DOES NOT FORM A PART OF RAYCHEM PART NUMBER SYSTEM AND SHOULD BE OMITTED WHEN ORDERING. KEYING PINS ARE SUPPLIED UN-INSTALLED.
 - 2. CONNECTOR ASSEMBLY SUPPLIED IN KIT FORM AND SHALL BE ASSEMBLED BY USER. THE COMPLETED ASSEMBLY DESIGNED TO MEET APPLICABLE REQUIREMENTS OF SPECIFICATION D-6007.
 - KIT INCLUDES:
 - a) PLUG SHELL SUB-ASSY (INCLUDES ASSEMBLED JACKSCREW LOCKING MECHANISM).
 - b) INSERT SUB-ASSEMBLY #D-659-0033-02
 - c) CABLE CLAMP AND BUSHING
 - d) CABLE CLAMP SCREWS
 - e) KEYING PINS
 - 3. CONNECTOR COMPONENTS AND ACCESSORIES ARE INDIVIDUALLY BAGGED AND LABELED.
 - 4. REAR GROMMET INSERT WILL SEAL ON SMOOTH INSULATION FROM .097 TO .158 O.D.
 - 5. CONNECTOR DESIGNED FOR USE WITH POWER AND SHIELDED CONTACTS PER TABLE I.
 - 6. ALL UNUSED CAVITIES TO BE SEALED USING SEALING PLUG NUMBER M83723-28-12.
 - 7. ALL CONTACTS SIZE 12 POWER OR COAX SHIELDED MAY BE INSERTED AND REMOVED USING TOOL NUMBER M83723-31-12.
 - 8. REFER TO RAYCHEM SPECIFICATION D-6007 FOR COMPLETE DETAILS.
 - ⚠ CONNECTOR SUPPLIED WITH A SHIPPING DUST CAP OVER ENGAGING END.
 - ⚠ INSERT ASSEMBLY TO BE INSTALLED USING TOOL AD-1521-S.
 - 11. MATES WITH RECEPTACLE CONNECTOR NUMBER MTC CIR-COAX OIP-01.
 - 12. CONNECTOR MATING REQUIREMENTS: 9 in. lbs. TORQUE FOR CAPTIVE LOCKING SCREW.
 - 13. CADMIUM PLATE IS PER 00-P-416 OVER NICKEL UNDERPLATE.
 - 14. DIMENSIONS WITHOUT TOLERANCES ARE TO BE CONSIDERED FOR REFERENCE ONLY.



- INSERT INSTALLATION PROCEDURE:**
1. POSITION AD-1521-S TOOL AGAINST INSERT SHOULDER.
 2. ALIGN INSERT KEYWAY WITH KEY IN PLUG SHELL SUB-ASSY.
 3. PUSH TOOL AND INSERT INTO PLUG SHELL UNTIL INSERT BOTTOMS IN SHELL AND THE LOCKING TABS ARE POSITIONED INTO THE SHELL WINDOW.
 4. CHECK FOR PROPER INSERT LOCATION DIMENSION.

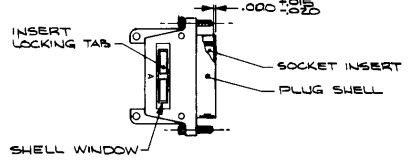


TABLE I
SOCKET CONTACT AND TOOLING INFORMATION

| CONTACT TYPE | MILITARY PART NO. | WIRE STRIP LENGTH | TERMINATION TOOL |
|--|-------------------|--------------------------------------|--------------------------------------|
| SHIELDED CONTACT FOR COAX CABLE D-602-0095 OR D-602-0107 | --- | SEE DRAWING D-602-0095 OR D-602-0107 | SEE DRAWING D-602-0095 OR D-602-0107 |
| CONTACT FOR TWISTED PAIR D-602-0105 | --- | SEE DRAWING D-602-0105 | SEE DRAWING D-602-0105 |
| POWER CONTACT SIZE 12 | M83723-31-12 | 1/4" TO 5/16" | M22570/1-01 POSITIONER M22570/1-02 |

SPECIFICATION CONTROL DRAWING

| | | | |
|---|-------------|-------|--|
| UNLESS OTHERWISE SPECIFIED DIMENSIONS ARE IN INCHES AND TOLERANCES ARE XXX ± .005 XX ± .010 X ± .015 | DRAWN | | TYCO/ELECTRONICS/RAYCHEM WIRE AND HARNESSING PRODUCTS 337 CONSTITUTION DRIVE MENLO PARK, CALIFORNIA 94025 |
| | CHECKED | | |
| | APPROVED | | |
| | APPROVED | | |
| MATERIAL | | | TITLE KIT, CONNECTOR, PLUG, RECTANGULAR, ENVIRONMENTAL, LOOSE SOCKET INSERT & KEYING PINS ONE INCH MTC SERIES CADMIUM PLATED |
| FINISH | | | |
| | PART NUMBER | | SIZE CODE IDENT DWG. NO. |
| | | | D NO 06290 D-659-0033-003 B |
| | PROJECT | 50268 | SCALE WEIGHT SHEET OF |

DO NOT SCALE THIS DRAWING NEXT ASSY USED ON APPLICATION

X-ON Electronics

Largest Supplier of Electrical and Electronic Components

Click to view similar products for [Headers & Wire Housings](#) category:

Click to view products by [TE Connectivity](#) manufacturer:

Other Similar products are found below :

[95000-104TRLF](#) [10135584-644402LF](#) [DF62W-EP2022PCA](#) [95000-106TRLF](#) [DF62W-2022SCA](#) [DF62W-EP2022PC](#) [2203348](#) [DF62W-2022SC](#) [1084018](#) [1029039](#) [1084017](#) [802-10-012-10-002000](#) [1112640](#) [1112639](#) [891-007-9SS-BST1T](#) [000-34000](#) [0008550134](#) [0009482033](#) [0009507031](#) [57102-F02-18ULF](#) [57102-S06-03LF](#) [57202-S52-04LF](#) [PCN6-15S-2.5E](#) [0039019024](#) [58102-G61-06LF](#) [582553-1](#) [0009485154](#) [0009508121](#) [0022285053](#) [0050291907](#) [018731A](#) [LY20-4P-DT1-P1E-BR](#) [02.125.8002.8](#) [60101931](#) [60598-1 \(Cut Strip\)](#) [M1625-3R/100](#) [61062-3](#) [61082-181009](#) [CSU011177004](#) [636-1427](#) [638009-1](#) [641938-9](#) [641991-4](#) [644168-1](#) [644827-2](#) [647662-1](#) [65039-019ELF](#) [65692-001LF](#) [65781-018](#) [65781-047](#)