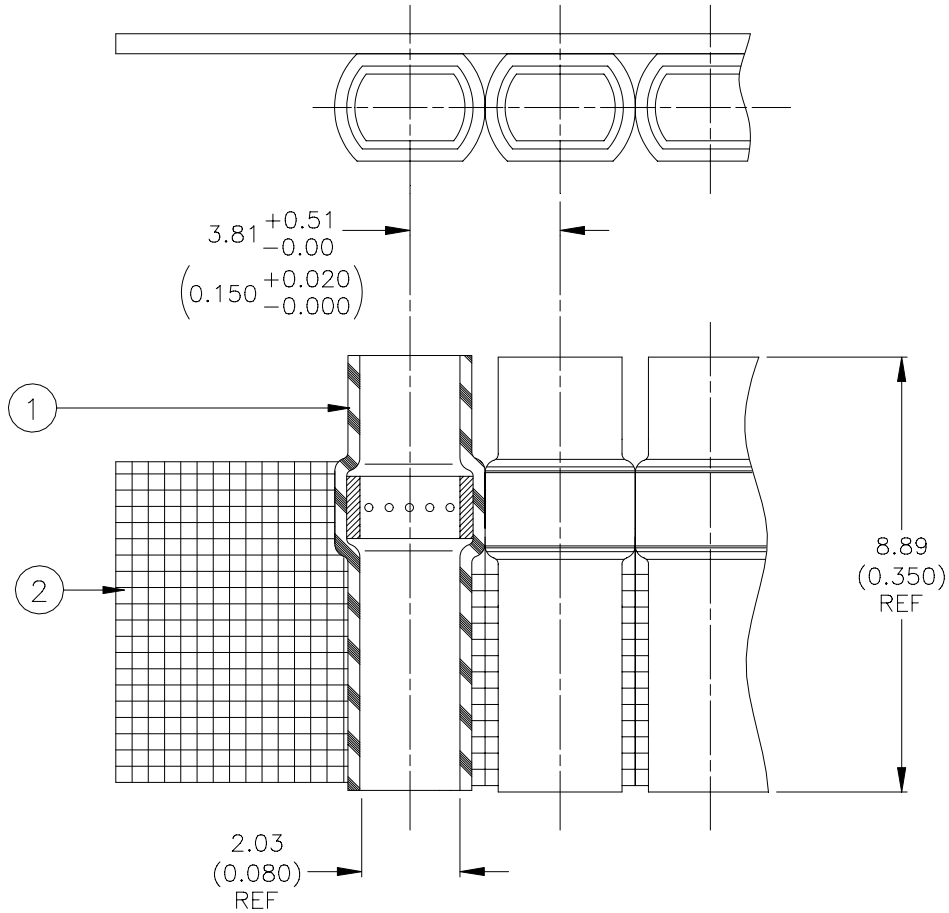


SPECIFICATION CONTROL DRAWING



MATERIALS

1. SOLDER SLEEVE WIRE TERMINATOR: D-128-0029, Quantity Per Assembly: 750.
2. CARRIER STRIP: Adhesive Coated High Temperature Tape

APPLICATION

1. This assembly is designed to be used with a Raychem AS-4000 Wire Organization System on connectors with terminals on 3.81 (0.150) center spacing. For usage parameters, see Raychem Devices Specification Control Drawing D-128-0029.
2. Wire terminators are to be inspected to Raychem Devices Specification Control Drawing D-128-0029.

		Wire and Harnessing Products		TITLE: 3.81 (0.150) Centers SOLDER PAK ASSEMBLY FOR AS-4000 SLEEVE: D-128-0029			
307 Constitution Drive Menlo Park, CA 94025, USA				DOCUMENT NO.: D-704-0043			
Unless otherwise specified dimensions are in millimeters. Inches dimensions are in between brackets.				DCR NUMBER: D010015		REPLACES: N/A	
TOLERANCES: 0.00 N/A 0.0 N/A 0 N/A	ANGLES: N/A ROUGHNESS IN MICRON	Tyco Electronics reserves the right to amend this drawing at any time. Users should evaluate the suitability of the product for their application.		DOC ISSUE: 1	SCALE: None	SIZE: A	SHEET: 1 of 1
DRAWN BY: M. FORONDA	DATE: 08-Feb.-01	PROD. REV. A					

If this document is printed it becomes uncontrolled. Check for the latest revision.

X-ON Electronics

Largest Supplier of Electrical and Electronic Components

Click to view similar products for [Solder Sleeves & Shield Tubing](#) category:

Click to view products by [TE Connectivity](#) manufacturer:

Other Similar products are found below :

[899170-000](#) [620040N001](#) [620263N004](#) [CTA-0050-01](#) [629624-000](#) [6500750004](#) [6501390002](#) [696396-000](#) [697080-000](#) [D-150-0331CS2902](#)
[D-300-01CS1108](#) [982127-1](#) [D-436-0182CS246](#) [D-436-37CS2651](#) [D-436-61CS246](#) [D-436-82-CS2621](#) [E53797N001](#) [CB0213-000](#) [S200-2-01](#)
[S200-4-00CS2904](#) [ST18-2-00](#) [FLX40-020-04-CS8651](#) [325534-000](#) [CTA-0025](#) [D-108-02CS227](#) [D-108-07CS436](#) [D-128-0010](#) [D-141-](#)
[0108CS404](#) [D-144-41CS1371](#) [D-150-0231-NRCS2896](#) [D-150-1011CS821](#) [B-801-18-01](#) [515-9](#) [C67137-000](#) [C76473N001](#) [CB0220-000](#) [D-](#)
[436-0185CS1102](#) [D-436-36CS2908](#) [D-436-37CS2908](#) [D-436-52CS246](#) [D44133N001](#) [LSS-26-8A](#) [626168-000](#) [D-106-2012](#) [D-108-00CS227](#)
[D-300-08CS1108](#) [UWCS-2U/7.6-1C/5.8](#) [610001N004](#) [620026-000](#) [B-004-00](#)