

shrinkHOoP
Cable Clamp Heat Shrink Grommet Sizes 2, 3 and 4

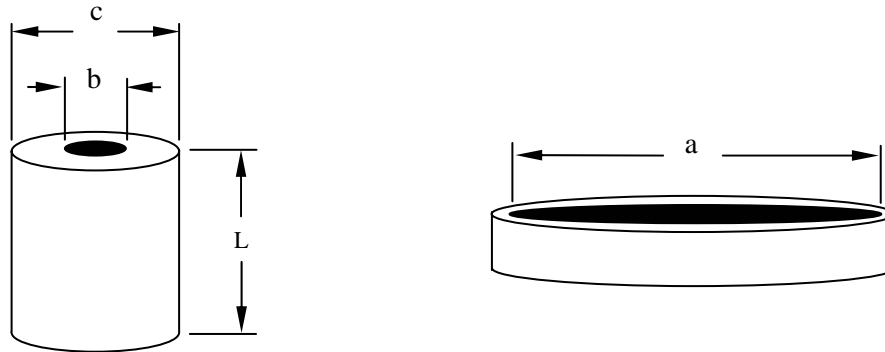


Table of Dimensions, inch (mm):

Part Description	Inside Diameter		Outside Diameter Recovered (c), Ref	Overall Length Recovered L, Ref (See Note*)
	Min. Exp. (a)	Max. Rec'd (b)		
URHR-2	1.23 (31)	0.10 (2.5)	0.375 (9.5)	0.50 (13)
URHR-3	1.44 (37)	0.14 (3.5)	0.500 (12.7)	0.50 (13)
URHR-4	1.85 (47)	0.18 (4.6)	0.562 (14.2)	0.75 (19)



Note*: Alternate lengths available upon request.

Material: heat shrinkable, cross linked polyolefin, meets MIL-I-81765/1 Type II with Shore Hardness value 35+/- 5.

Color: Black

shrinkHOoP is a Trademark of Tyco Electronics

Specification Control Drawing

 Tyco Electronics Corporation 300 Constitution Drive Menlo Park, CA 94025 USA				Title: <i>shrinkHOoP</i> –Cable Clamp Heat Shrink Grommet Sizes 2, 3 and 4	
Tyco Electronics reserves the right to amend this drawing at any time. Users should evaluate the suitability of the product for their application.				Document No. URHR-2-thru-4	
UNLESS OTHERWISE SPECIFIED DIMENSIONS ARE IN INCHES. METRIC DIMENSIONS ARE SHOWN IN BRACKETS				Rev.: F	Rev. Date: December 9, 2004
DRAWN BY: U.NGUYEN	CAGE CODE: 06090	Org. Date: 10/03/2001	File name: R040891	SCALE: None	SIZE: A
				SHEET: 1 of 2	

©2004 Tyco Electronics Corporation. All rights reserved

If this document is printed it becomes uncontrolled. Check for the latest revision.

Table 2: Properties

	Property	Requirements	Test method
Physical	Tensile strength	1200 psi (8.3 Mpa) minimum	ASTM D-412
	Ultimate elongation	250% minimum	ASTM D-412
	Specific gravity	1.4 maximum	ASTM D-792
	Water absorption	0.5% maximum	ASTM D-570
	Hardness, Shore D	35 ± 5	ASTM D-2240
	Flammability	Pass Pass	ASTM D-635 FAR-25
	Corrosion resistance	Pass	MIL-I-81765
	Low temperature flex 4 hours at -67 ± 2°F (-55 ± 1°C)	Pass	MIL-I-81765
	Heat resistance 168 hours at 347 ± 2°F (175 ± 1°C)	200% ultimate elongation, minimum 1000 psi (6.9 Mpa) tensile strength, minimum	MIL-I-81765
	Heat shock 4 hours at 437 ± 5°F (225 ± 2°C)	No cracking, dripping or flowing	MIL-I-81765
Elastic Memory		275% minimum expansion to 4 inch (10 cm) of a fully recovered test specimen, and 93% recovery of expanded specimen after oven condition for 1 minute at 302 ± 4°F (150 ± 2° C)	
Electrical	Dielectric strength	200 v/mil (7880 v/mm) minimum	ASTM D-149
	Volume resistivity	10 ¹² ohm-cm minimum	ASTM D-257
Chemical Fluid Resistance		200% ultimate elongation, minimum 750 psi (5.2 Mpa) tensile strength, minimum	MIL-I-81765

X-ON Electronics

Largest Supplier of Electrical and Electronic Components

Click to view similar products for [Heat Shrink Tubing and Sleeves](#) category:

Click to view products by [TE Connectivity](#) manufacturer:

Other Similar products are found below :

[770-006S102](#) [5685710001](#) [CR8248-000](#) [CR9960-000](#) [603312-4](#) [607381P039](#) [611112-000](#) [617867N001](#) [6500750004](#) [CZ1420-000](#) [D-306-38](#)
[770-003S106W2](#) [770-005S105W1](#) [770-005S106W1](#) [770-007A303](#) [770-010Y106W1](#) [770-010Y706W1](#) [7771210001](#) [MFP-1/4"-Clear](#) [MFP-3/64"-Clear](#) [790-3012](#) [MFT-MT2000-NO.14-0-SP](#) [MHHT-4-15K2-G-104](#) [MIL-LT-1-1/2-4-SP](#) [MIL-LT-1-1/2-9-STK](#) [MIL-LT-1/2-2-STK](#)
[MIL-LT-3-0-SP](#) [MIL-LT-3/32-0-SP](#) [MIL-LT-3/32-6-SP](#) [MIL-LT-3/4-6-SP](#) [MIL-LT-3/8-0-SP](#) [8159270001](#) [839602-000](#) [8423-6](#) [FP301-116-6"-Black](#) [FP301-1/2-48"-Black](#) [FP301-12-48"-Black-Hdr](#) [FP301-1/4-48"-Black](#) [FP301-1/4-48"-White-Hdr](#) [FP301-1-6"-Clear](#) [FP301-18-48"-Black-Hdr](#) [FP301-1/8-6"-Black](#) [FP301-18-6"-Black-Bulk](#) [FP301-316-48"-Blue-Hdr](#) [FP301-316-6"-Clear](#) [FP301-332-6"-Black](#) [912229N002](#)
[120-126-16BL](#) [121-001-09](#) [121-018-32](#)