

PROPERTY OF DEUTSCH E.C.D.

This drawing contains proprietary information that shall not be disclosed, duplicated, nor used in whole or in part for any purpose other than to evaluate this drawing.

| | | | | | |
|---|-----------------|-----------|------------------------------------|--------|----------|
| - | DGA00*B**-EL*** | REVISIONS | | | |
| | | REV | DESCRIPTION | DATE | APPROVED |
| - | | | NEW RELEASE DRAWING PER E.O. C7505 | 090115 | M.A. |

| DG123 | | AF123 | | DG123A | | DG123A | |
|------------|------------|------------|------------|------------|------------|------------|------------|
| CABLE CODE | INSERT ARR | CABLE CODE | INSERT ARR | CABLE CODE | INSERT ARR | CABLE CODE | INSERT ARR |
| 10 | 08-04 | 72 | 10-03 | 38 | 09-35 | 59 | 21-35 |
| 11 | 10-03 | 73 | 10-05 | 39 | 09-98 | 60 | 21-41 |
| 12 | 10-05 | 74 | 14-04 | 40 | 11-05 | 61 | 23-21 |
| 13 | 10-12 | 75 | 14-09 | 41 | 11-35 | 62 | 23-35 |
| 14 | 14-04 | 76 | 14-19 | 42 | 11-99 | 63 | 23-53 |
| 15 | 14-09 | 77 | 16-07 | 43 | 13-04 | 64 | 23-55 |
| 16 | 14-19 | 78 | 16-14 | 44 | 13-35 | 65 | 25-04 |
| 17 | 14-37 | 79 | 16-27 | 45 | 13-98 | 66 | 25-19 |
| 18 | 16-07 | 80 | 18-09 | 46 | 15-05 | 67 | 25-20 |
| 19 | 16-14 | 81 | 18-21 | 47 | 15-18 | 68 | 25-24 |
| 20 | 16-27 | 82 | 18-38 | 48 | 15-35 | 69 | 25-29 |
| 21 | 16-55 | 83 | 20-11 | 49 | 15-97 | 70 | 25-35 |
| 22 | 18-09 | 84 | 20-24 | 50 | 17-06 | 71 | 25-61 |
| 23 | 18-21 | 85 | 20-45 | 51 | 17-08 | 92 | 11-98 |
| 24 | 18-38 | 86 | 22-14 | 52 | 17-26 | 93 | 15-19 |
| 25 | 18-85 | 87 | 22-32 | 53 | 17-35 | 94 | 13-08 |
| 26 | 20-11 | 88 | 22-61 | 54 | 19-11 | 95 | 17-99 |
| 27 | 20-24 | 89 | 24-19 | 55 | 19-32 | 96 | 21-39 |
| 28 | 20-45 | 90 | 24-41 | 56 | 19-35 | 97 | 25-43 |
| 29 | 20-92 | 91 | 24-74 | 57 | 21-11 | 101 | 17-04 |
| 30 | 22-14 | | | 58 | 21-16 | | |
| 31 | 22-32 | | | | | | |
| 32 | 22-61 | | | | | | |
| 33 | 22-121 | | | | | | |
| 34 | 24-19 | | | | | | |
| 35 | 24-41 | | | | | | |
| 36 | 24-74 | | | | | | |
| 37 | 24-155 | | | | | | |

△ DGA00 A B ** - EL ***

INSERT TYPE: P = PIN
S = SOCKET
N = NO INSERT

CABLE INSERT ARRANGEMENT
SEE TABLE FOR COMPLETE LIST
00 = NO INSERT

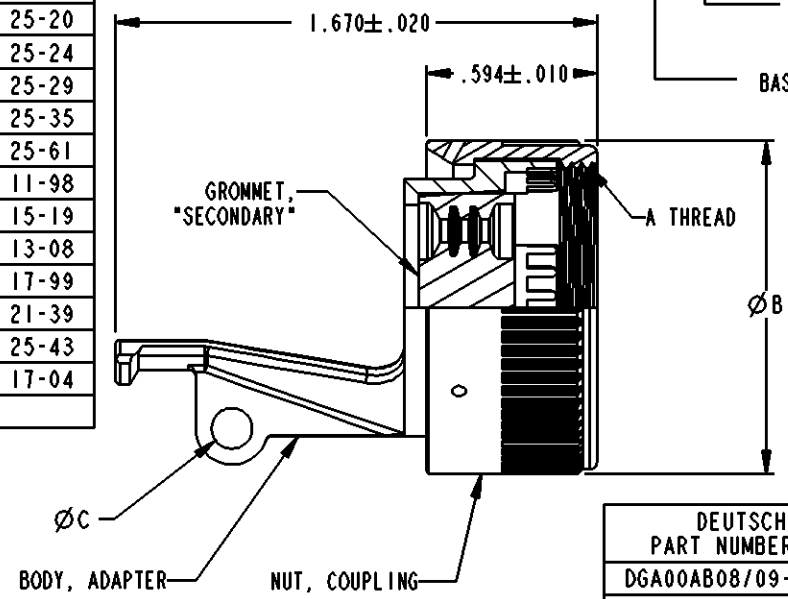
TYPE: EL = ENVIRONMENTAL STRAIGHT

SHELL SIZE (SEE TABLE)

CONFIGURATION

FINISH: A = BLACK COMPOSITE UNPLATED
R = METALLIZED ADAPTER BODY

BASIC IDENTIFIER: DGA00 - DEUTSCH DG123 REAR ACCESSORIES



| DEUTSCH PART NUMBER ** | SHELL SIZE | A THREAD | B Ø ± .015 | C Ø ± .010 |
|------------------------|------------|--------------------|------------|------------|
| DGA00AB08/09-EL*** | 08/09 | .500-28UNEF-2B MOD | .650 | .120 |
| DGA00AB10/11-EL*** | 10/11 | .625-28UN-2B MOD | .775 | .120 |
| DGA00AB13-EL*** | 13 | .750-28UN-2B MOD | .905 | .120 |
| DGA00AB14/15-EL*** | 14/15 | .875-28UN-2B MOD | 1.030 | .120 |
| DGA00AB16/17-EL*** | 16/17 | 1.000-28UN-2B MOD | 1.160 | .140 |
| DGA00AB18/19-EL*** | 18/19 | 1.125-28UN-2B MOD | 1.270 | .140 |
| DGA00AB20/21-EL*** | 20/21 | 1.250-28UN-2B MOD | 1.400 | .140 |
| DGA00AB22/23-EL*** | 22/23 | 1.375-28UN-2B MOD | 1.525 | .140 |
| DGA00AB24/25-EL*** | 24/25 | 1.500-28UN-2B MOD | 1.655 | .140 |

△ FOR PART NUMBER BREAKDOWN, SEE TABLE.

- RECOMMENDED TORQUE: SHELL SIZES 08-16: 20-30 IN./LBS.
SHELL SIZES 18-24: 35-45 IN./LBS.
- MATERIAL: COUPLING NUT: COMPOSITE
ADAPTER BODY: COMPOSITE
SECONDARY GRONMET: SILICONE ELASTOMER
- CONSULT FACTORY FOR AVAILABILITY.
- ALL DIMENSIONS ARE IN INCHES UNLESS OTHERWISE SPECIFIED.

| SIGNATURE & DATE | |
|------------------|-------------------|
| DR | E. ALAWNEH 081222 |
| CHK | M.A. 090114 |
| PE | E. ALAWNEH 081222 |
| APPD | A. RENGIFO 090115 |
| SCALE | NONE WT |

STRAIN RELIEF
STRAIGHT ONE ARM STYLE
LIGHT DUTY
DGA SERIES

ENVELOPE

CP

DEUTSCH
ENGINEERED CONNECTING DEVICES
5733 W. Whittier Ave.
Hemet, California

DGA00*B**-EL***

CODE 11139 SHEET | OF |

X-ON Electronics

Largest Supplier of Electrical and Electronic Components

Click to view similar products for [Circular MIL Spec Strain Reliefs & Adapters](#) category:

Click to view products by [TE Connectivity](#) manufacturer:

Other Similar products are found below :

[896227-000](#) [899170S004](#) [0113-023-000](#) [6000-063-0022](#) [CS6624-000](#) [620AB038Z136](#) [620AS001Z108](#) [620AS038Z112](#) [620AS038Z120](#)
[620AS038Z132](#) [620FB038NF08](#) [620HA038NF09](#) [620HA038NF11](#) [620HA038NF13](#) [620HA038NF25](#) [620HB049NF17](#) [620HS038NF11](#)
[620HS038Z121](#) [620HS042XM19](#) [620HS042XM25](#) [620HS048B17](#) [620MS064NF12](#) [620MS065Z107](#) [620MS065ZNU06](#) [627-123NF21-11](#)
[627-125NF23-6](#) [630J041M06H](#) [630J041M20H](#) [637S010NF0212H](#) [637S010NF0416A](#) [640830-000](#) [659943-000](#) [66241-10A](#) [CW0597-000](#)
[CW0598-000](#) [CW0948-000](#) [CY0122-000](#) [M85049/41-6A W/B](#) [M85049/42-12DS](#) [M85049/47N8](#) [M85049/51-1-14S](#) [M85049/51S16S](#)
[M85049/60-1N16](#) [M85049/60-2G12W](#) [M85049/69-11N](#) [CZ3661-000](#) [D02922-000](#) [70.360.1628.0](#) [703797-000](#) [705825-000](#)