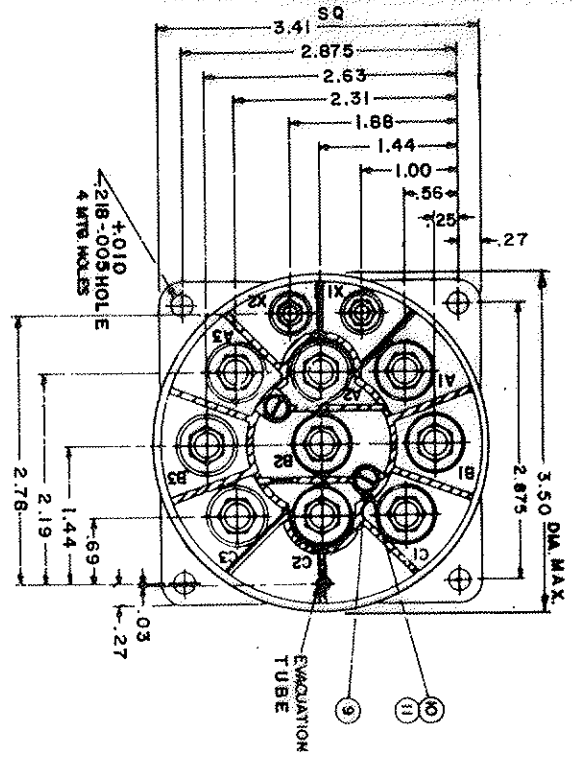


REV.	DESCRIPTION	DATE
A	17723 ITEM 3 WAS 17539-001	11-12-85
B	18488 ITEM 3 WAS 17539-006	2-21-87



HERMETICALLY SEALED

CONSTRUCTION
MAIN CONTACTS
VOLTAGE (NOMINAL)
CURRENT RES.
IND.

COIL DATA
DUTY CYCLE
OPERATING VOLTAGE
PICKUP

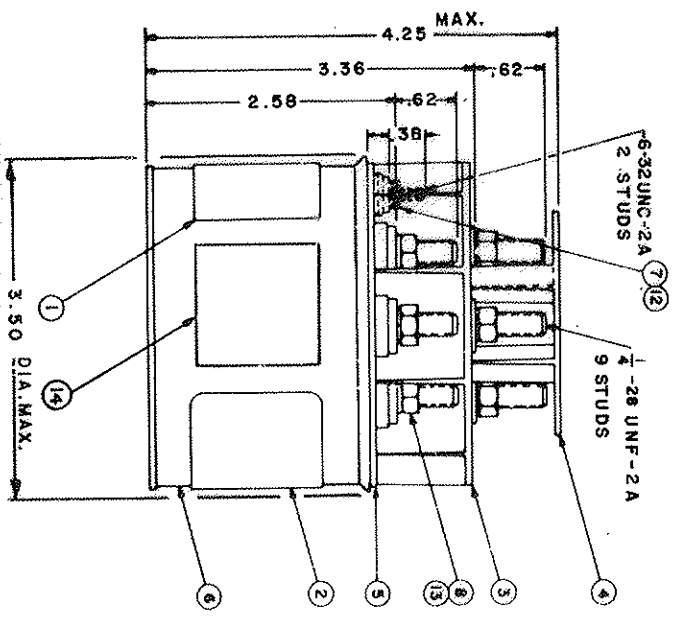
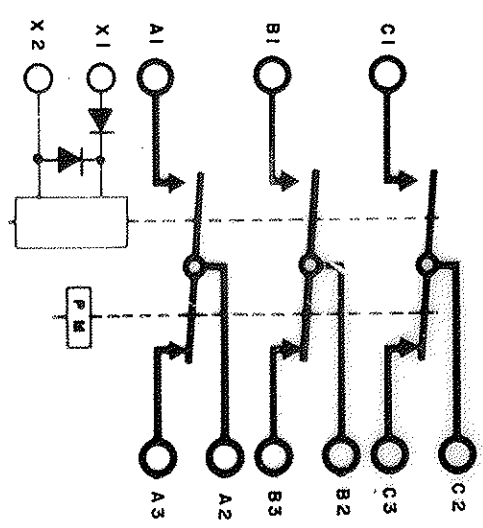
DROPOUT
ENVIRONMENTAL DATA
OPERATING TEMP
VIBRATION

ALTITUDE
LIFE ELECTRICAL
WEIGHT MAX.
MAX. INTER.

HERMETICALLY SEALED
3 PDT
115/200 VAC 400 HZ
100 AMP
100 AMP

CONTINUOUS
115 VAC 400 HZ
103.5 V. MAX AT 71°C
25 ± 20 V

-55°C TO +71°C
.08 DA 5-12 HZ
.06 DA 12-40 HZ
10 G 40-1000 HZ
50,000 FT. MAX.
50,000 CYCLES MIN.
2.2 LBS.
600 AMPS



NOTES:
1. REMOVE PAINT BOTH SIDES OF EITHER SET OF MTR. HOLES.

QTY	PART NAME	NOMENCLATURE OR DESCRIPTION	PART OR IDENTIFYING NO	ITERMS NO
1	PLATE WARNING		17959-001	14
9	WASHER-LOCK - 1/4 SPLIT BRONZE		51807-014 (M92584A) 13	13
2	WASHER-LOCK - #6 SPLIT BRONZE		51808-014 (M92584) 12	12
2	WASHER-LOCK - #5 SPLIT BRONZE		51805-011 (M92584) 11	11
2	WASHER - .015 X 1.03 X 3/16 IN/INR		51791-009	10
2	SCREW - 5-40 X 1 3/8 RD. HD. STEEL		51205-411	9
2	WGT - 1/4-28 X 3/8 X 3/16 HEX BRASS		50407-074	8
2	WGT - 6-32 X 1/4 X 5/16 HEX BRASS		50404-034	7
1	CONTACTOR ASSEMBLY - PRIMARY		20074-080	9
1	PLATE - BASE COVER		17542-005	5
1	SHIELD - TERMINAL, TOP		17540-001	4
1	SHIELD - TERMINAL, BOT		17539-001	3
1	PLATE - WIRING DIAGRAM		17884-001	2
1	PLATE - NAME		16045-001	1

DESIGNED FOR
DATE 5-9-83 DR BY H.A.S.
TOLERANCES
UNLESS OTHERWISE SPECIFIED
DIMENSIONS .0001 O.D
REF.
DOUGLAS LONG BEACH

PARTS LIST
CONTACTOR-3PDT SIDE STABLE
100A, 400 HZ, 115VAC COIL

APPROVED
74969
SCALE
DHR-258G

X-ON Electronics

Largest Supplier of Electrical and Electronic Components

Click to view similar products for [General Purpose Relays](#) category:

Click to view products by [TE Connectivity](#) manufacturer:

Other Similar products are found below :

[PCN-105D3MH,000](#) [59641F200](#) [LY1SAC110120](#) [5X827E](#) [5X837F](#) [5X840F](#) [5X842F](#) [5X848E](#) [LY2N-AC120](#) [LY2S-AC220/240](#) [LY2-US-AC120](#) [LY3-US-AC120](#) [LY4F-UA-DC12](#) [LY4F-UA-DC24](#) [LY4F-US-AC120](#) [LY4F-US-AC240](#) [LY4F-US-DC24](#) [LY4F-VD-AC110](#) [LYQ20DC12](#) [M115C60](#) [M115N010](#) [M115N0150](#) [6031007G](#) [603-12D](#) [61211T0B4](#) [61212T400](#) [61222Q400](#) [61243B600](#) [61243C500](#) [61243Q400](#) [61311BOA2](#) [61311BOA6](#) [61311BOA8](#) [61311COA2](#) [61311COA1](#) [61311COA6](#) [61311F0A2](#) [61311QOA1](#) [61311QOA4](#) [61311T0D6](#) [61311TOA6](#) [61311TOA7](#) [61311TOB3](#) [61311TOB4](#) [61311U0A6](#) [61312Q600](#) [61312T400](#) [61312T600](#) [61313U200](#) [61313U400](#)