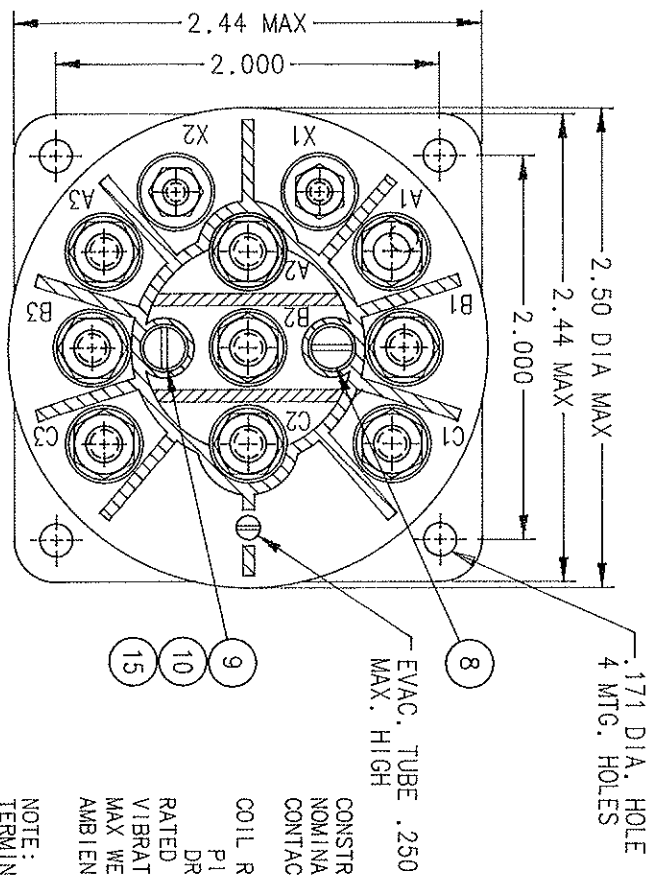


REV.	DESCRIPTION	DATE	APPROVED
T	32550 REDRAWN, REDIMENSIONED, FIND NOS 16 & 17 ADDED	97/04/03	[Signature]



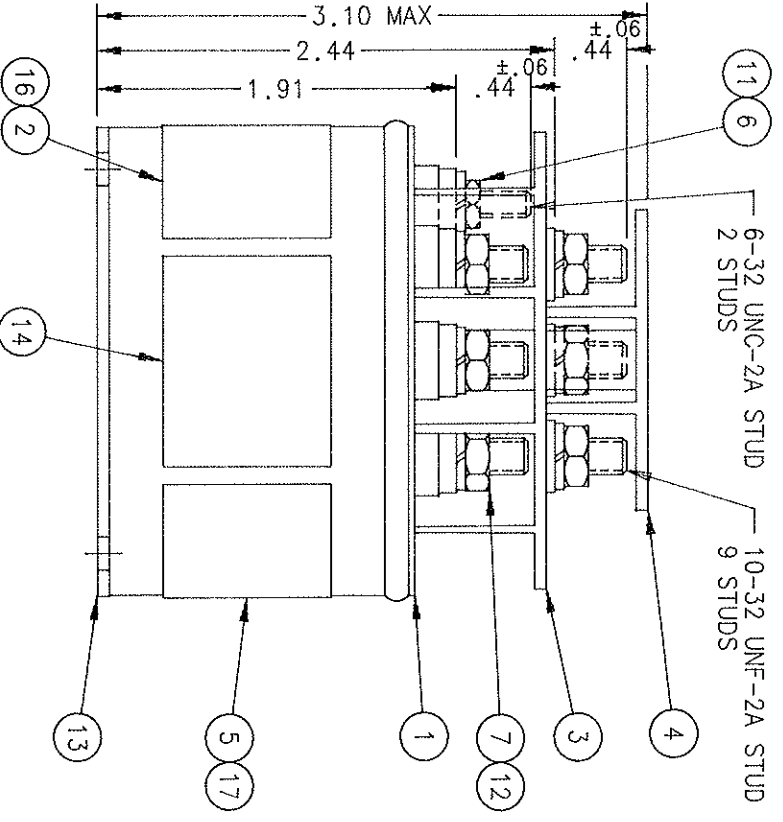
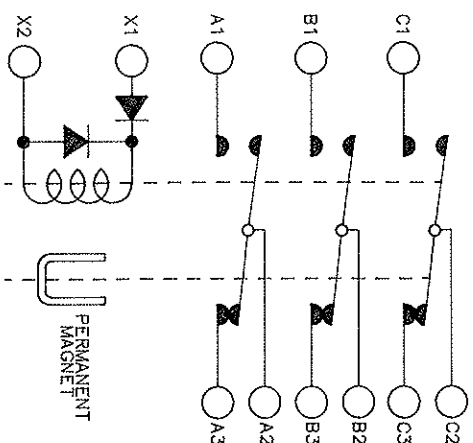
NOTE:
 TERMINAL SHIELD IS NOTCHED FOR DRAINAGE.

CONSTRUCTION
 NOMINAL VOLTAGE
 CONTACT RATING

HERMETICALLY SEALED
 115 V, 400 HZ
 50 A, 120/208 V 400 HZ
 15 AMP, 28 VDC
 115 V

COIL RATING
 PICKUP
 DROPOUT
 RATED DUTY
 VIBRATION
 MAX WEIGHT
 AMBIENT TEMPERATURE

14 OZ
 -65°F TO 165°F



FIND NO	QTY	PART OR IDENTIFYING NO	NOMENCLATURE OR DESCRIPTION	FSCAL NO	DRAWING OR SPECIFICATION	MATERIAL OR NOTE
17	1	39529-033	OVERLAY-WIRING DIAGRAM			
16	1	39529-001	OVERLAY-NAMEPLATE			
15	2	51701-180	WASHER 3/16 X .103 X .094			MYLAR
14	1	17959-001	PLATE-WARNING			
13	1	19659-010	CONTACTOR ASSEMBLY-PRIMARY			
12	9	51810-054	WASHER-LOCK #10 SPLIT TYPE			BRONZE
11	2	51806-014	WASHER-LOCK #6 SPLIT TYPE			BRONZE
10	2	51805-011	WASHER-LOCK #5 SPLIT TYPE			BRONZE
9	1	51205-391	SCREW 5-40 X 1 1/8 RD HD			BRASS
8	1	51205-691	SCREW 5-40 X 3/8 RD HD			BRASS
7	9	50410-054	NUT 10-32 X 5/16 X 9/64 HEX			BRASS
6	2	50406-034	NUT 6-32 X 1/4 X 5/64 HEX			BRASS
5	1	17384-001	PLATE-WIRING DIAGRAM			
4	1	15553-001	SHIELD-TERMINAL			
3	1	13549-001	SHIELD-TERMINAL			
2	1	16043-001	PLATE-NAME			
1	1	13537-027	PLATE-BASE COVER			

2 PL DECALS PL DEC LANGLES	DR BY	PLS	97/04/21
*.03	*.010	* 1°	

UNLESS OTHERWISE SPECIFIED DIMENSIONS ARE IN INCHES TOLERANCES ON	CHK BY	PLS	97/04/23
	ENG	PLS <td>97/04/24</td>	97/04/24
	MFG	PLS <td>97/04/24</td>	97/04/24

RELEASE	CONTR NO.	SCALE	SIZE	CODE IDENT	DWG NO.
		NONE	C	74063	DHR-7B

HARTMAN ELECTRICAL MANUFACTURING	MANSFIELD, OHIO
CONTACTOR-3PDT	
HERMETICALLY SEALED	
093	

X-ON Electronics

Largest Supplier of Electrical and Electronic Components

Click to view similar products for [Contactors - Electromechanical category:](#)

Click to view products by [TE Connectivity manufacturer:](#)

Other Similar products are found below :

[6-1618400-7](#) [686-117111](#) [686-120111](#) [686-924](#) [686-948](#) [70-901](#) [70-914](#) [MB-3D-6](#) [MC-22A/4-AC120V](#) [8-1616943-9](#) [8-1672124-5](#)
[A40-30-10-84](#) [120-905](#) [A701U](#) [120-904](#) [1393132-9](#) [154-905](#) [154-912](#) [154-913](#) [154-915](#) [154-902](#) [154-910](#) [AVR743D](#) [B6-40-00-84](#) [B7-40-00-84](#) [1616017-5](#) [1616021-1](#) [MVDILM](#) [HP-11D-24](#) [P25-E5019-1](#) [P30C47A12D1-120](#) [P40C47A12D1-120](#) [P40P47D13P1-24-01](#) [CA7-12-10-240](#) [CA7-72-00-24Z](#) [90-162](#) [9-1393132-2](#) [2NC4F0222](#) [A275KXXV2-120VAC](#) [ACC338UMM20](#) [AF80-30-11-13](#) [SZ-B1](#) [CGC-9A-120](#) [3GC2H0M22](#) [3NC0T0A22](#) [3NC1Q0A22](#) [3NC2H0A22](#) [3NC2T0122/SE](#) [3TF3400-0BB4](#) [MC-12B-DC24V](#)