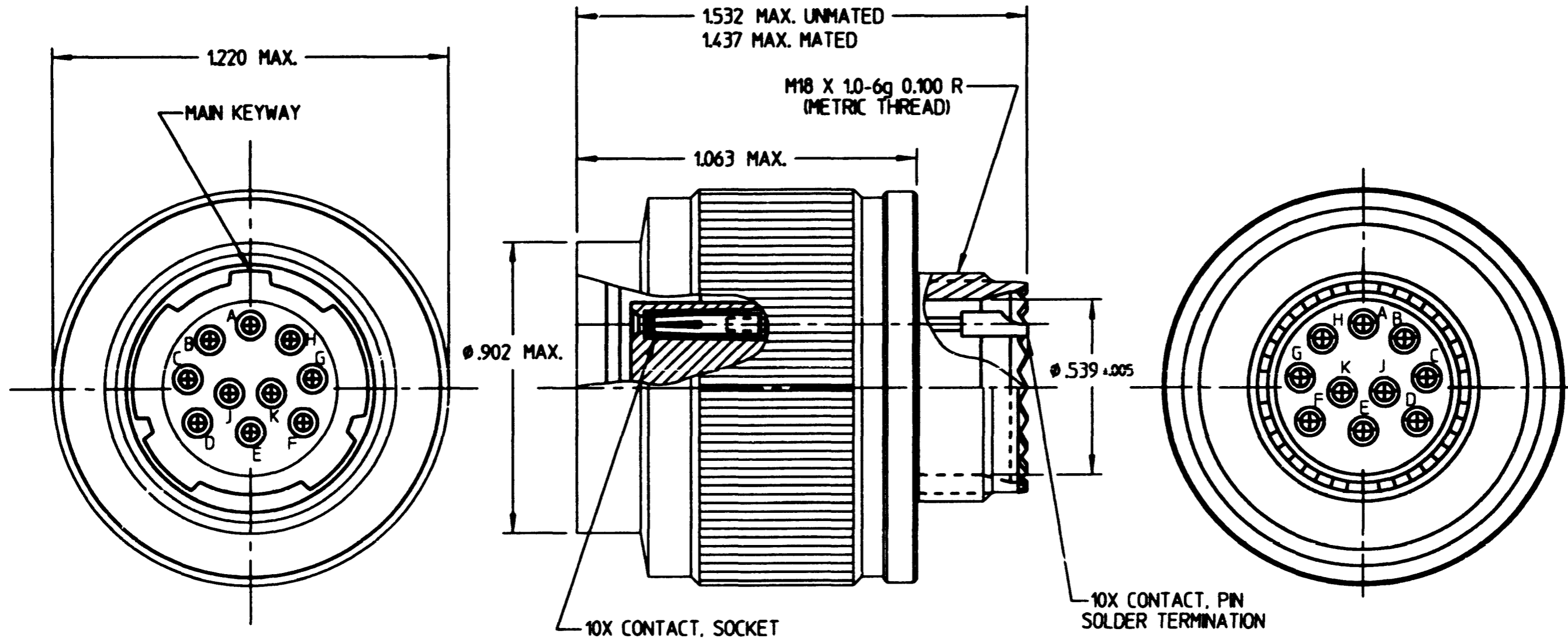


**PROPERTY OF DEUTSCH E.C.D.**

This drawing contains proprietary information that shall not be disclosed, duplicated, nor used in whole or in part for any purpose other than to evaluate this drawing.

N/C DIV46H13-98SN-4041

REVISIONS			
REV	DESCRIPTION	DATE	APPROVED
N/C	NEW RELEASE PER E.O. C1977	5-12-95	8



7. THIS PLUG IS SIMILAR TO MIL-C-38999 SERIES IV PLUG, AND IS DESIGNED TO WITHSTAND UP TO 150 INCH POUNDS MATING TORQUE.
6. MATERIALS: PLUG SHELL - STAINLESS STEEL  
 COUPLING RINGS AND WASHER - STAINLESS STEEL  
 PIN CONTACTS - NICKEL IRON ALLOY OR EQUIVALENT  
 SOCKET CONTACTS - COPPER ALLOY  
 PLASTIC INSERTS - PHENOLIC HIGH GRADE  
 INTERNAL O RING- FLUOROSILICONE  
 GLASS - COMPRESSION GLASS
5. FINISH: PLUG SHELL - NICKEL PLATED  
 COUPLING RINGS AND WASHER - PASSIVATED  
 CONTACTS - GOLD PLATED
4. INSERT ARRANGEMENT CONFORMS TO MIL-STD-1560.
3. CONNECTOR OPERATING TEMPERATURE 400° F. CONTINUOUS.
2. DIMENSIONS ARE IN INCHES UNLESS OTHERWISE INDICATED.
1. REAR THREADS ARE METRIC AS INDICATED.

SIGNATURE & DATE	
DR	D.WHITACRE 2/22/95
CHK	<i>J. Powell</i> 5-12-95
PE	D.WHITACRE 2/22/95
APPD	
SCALE	NONE WT _____

**CONNECTOR, SOCKET, PLUG** CP  
 WITH R.F.I. GROUNDING  
 HIGH TORQUE  
 BREECH COUPLING  
 MIL-C-38999 SERIES IV TYPE  
 HERMETIC, SHELL SIZE 13  
 ENVELOPE

MATERIAL CODE	
<b>DEUTSCH</b>	
ENGINEERED CONNECTING DEVICES	
36033 Whittier Ave. Hemet, California	
<b>A</b>	DIV46H13-98SN-4041
DWG SIZE	SHEET 1 OF 1

## X-ON Electronics

Largest Supplier of Electrical and Electronic Components

*Click to view similar products for [Standard Circular Connector](#) category:*

*Click to view products by [TE Connectivity](#) manufacturer:*

Other Similar products are found below :

[C015](#) [10F006](#) [001](#) [1](#) [5M2530B10P](#) [600247N007](#) [600259N006](#) [600273N007](#) [600432N009](#) [6280-2PG-519](#) [6280-3PG-311](#) [6280-3SG-311](#)  
[6280-7SG-3DC](#) [6280-7SG-522](#) [6282-5PG-311](#) [6282-6PG-519](#) [6282-8SG-311](#) [6283-11](#) [6283-15](#) [6290](#) [6293](#) [6382-2PG-311](#) [6382-2PG-3DC](#)  
[6382-2SG-321](#) [6382-2SG-3DC](#) [6382-4SG-516](#) [67-03E20-37P](#) [681-PMG](#) [CXC3106A1811S](#) [CXS3102A14S2P](#) [CXS3102A181S](#)  
[CXS3106A14S6S](#) [D38999/20FC8SA](#) [L/C](#) [MB12P-1](#) [MB12R-6](#) [7251-2PG-300](#) [7251-2SG-300](#) [7251-4PG-300](#) [7251-4SG-300](#) [7251-5PG-300](#)  
[7251-5SG-300](#) [7251-6SG-300](#) [7251-7PG-300](#) [7251-8PG-300](#) [7271-6SG-300](#) [7282-3PG-300-CH3](#) [73000005663](#) [75-190011-03P](#) [75-190216-08S](#) [75-190218-10P](#) [75-214636-52P](#) [75-474118-10P](#) [75-474211-03P](#)