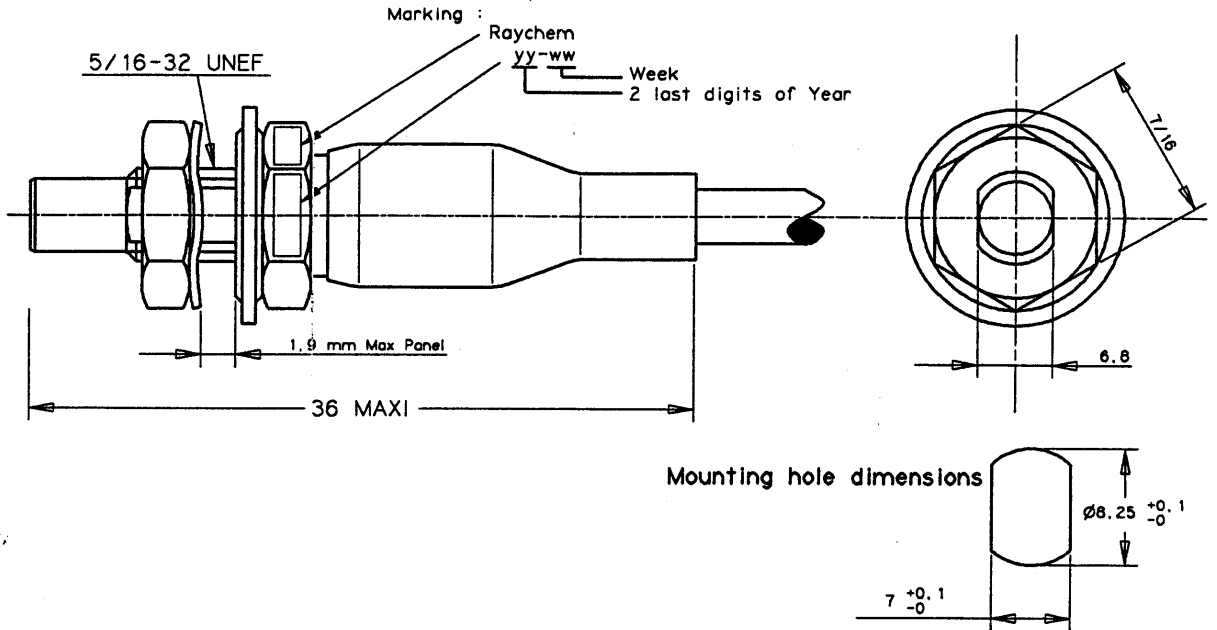


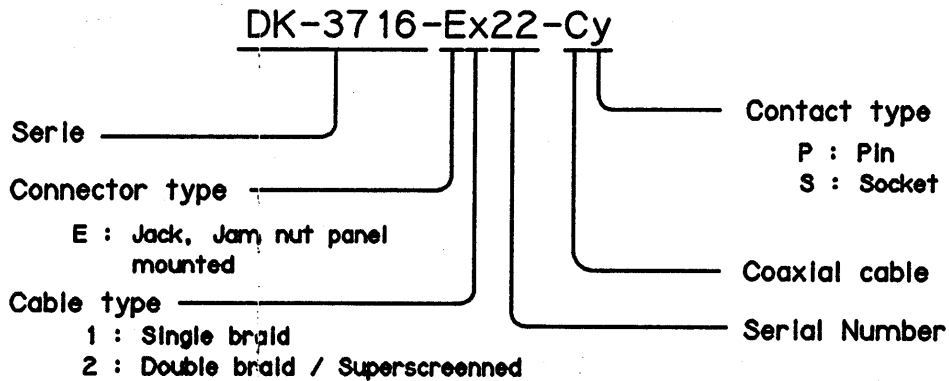
Raychem	SPECIFICATION CONTROL DRAWING	Product name DK-3716-Ex22-Cy	Date 25/FEB/93
			Revision A

T18D91

THREADED, COAXIAL CONNECTOR



PART NUMBERING SYSTEM



Dimensions are in millimeters

DIFFUSION	DRAWN G. PONS Engineering	APPROVED R. DE COMTE Product Manager	REPLACES SCD Rev 0 of 06/SEP/91 by ECO N°3928 of 23/FEB/93
	APPROVED G. BRUN Development	APPROVED B. DAUVILLIERS Quality Assurance	PROJECT NUMBER CAD : SCD\DKEx22Cy

* A trademark of Raychem Corporation.

This drawing and the information set forth hereon are the property of Raychem Corporation, and are to be held in trust and confidence. Publication, duplication, disclosure or use for any purpose not expressly authorized in writing by Raychem Corporation is prohibited.

Raychem	SPECIFICATION CONTROL DRAWING	Product name DK-3716-Ex22-Cy	Date 25/FEB/93
			Revision A

1 MATERIALS AND FINISHES

- 1.1 Housing Body: Brass Alloy per QQ-B-626D
Tin Plated per MIL-T-10727
Over Nickel per MIL-C-26074
- *1.2 Jam Nut: Brass Alloy per QQ-B-626D
Over Nickel per MIL-C-26074
- 1.3 Wave washer: Spring Steel
Over Nickel per MIL-C-26074
- Sealing washer
Elastomer: Silicone per AMS-3304
Washer: CRES per MIL-S-5059 Half Hard or Annealed
Passivation per QQ-P-35
- Insulation: Polyethersulfone
- * Jam nut shall be torqued 1.13-1.7 m.N when installing connector in panel.

2 WIRE ACCOMMODATIONS

- 2.1 The connector will terminate to a coaxial cable AWG 24.
- 2.2 Termination procedure : Raychem RPIP-703-00.

3 INTERMATEABILITY

- 3.1 This connector will mate with DK-3716-Fxxx-yy.

4 CONTACTS

- 4.1 This connector will accommodate the following Raychem contacts :

Part No.	Description
D-602-0152	Coaxial, Pin
D-602-0153	Coaxial, Socket

5 PERFORMANCE CAPABILITIES

- 5.1 Designed to meet Raychem Performance Specification D-6025
No qualification testing is scheduled. The user shall satisfy himself that the product is suitable for use under the conditions pertaining to his application.
- 5.2 General Characteristics
- 5.2.1 Maximum Operating Temperature : 150°C.
- 5.2.2 Current Rating : 3 amps maximum.
- 5.2.3 Insulation Resistance : 5000 megohms minimum.
- 5.2.4 High Potential, Mated, Sea Level : 900 volts at 60 Hz.
- 5.2.5 Contact Resistance, Initial : 8 milliohms maximum.
- 5.2.6 Connector Mating Coupling Torque : 1, 13 m.N maximum.
- 5.2.7 Insertion Force : 1, 4 kg maximum.
- 5.2.8 Withdrawal Force : 30 g maximum.
- 5.2.9 Contact Retention Terminated : 9 kg minimum.
- 5.2.10 Durability : 500 cycles.
- 5.2.11 Corrosion Resistance : 500 hours.
- 5.2.12 Weight : 10 g Max.

X-ON Electronics

Largest Supplier of Electrical and Electronic Components

Click to view similar products for [Data Bus Components - Connectors](#) category:

Click to view products by [TE Connectivity](#) manufacturer:

Other Similar products are found below :

[891382-000](#) [626023-000](#) [D-500-0255-021-01CS252](#) [D-621-0211](#) [D-704-0079](#) [DK-621-0047-2PCS228](#) [DK-621-0047-2SCS228](#) [DK-621-0412CS325](#) [911225N001](#) [F33352-000](#) [187711-000](#) [201526-000](#) [477472-000](#) [491952-000](#) [D-600-0174](#) [D-621-0476-L](#) [D-711-03](#) [DK-621-0049-1P](#) [DK-621-0050-1P](#) [DK-621-0412-UP](#) [DK-621-0440-4P-CS1498](#) [514433-000](#) [614637N002](#) [645241N002](#) [734977-000](#) [DK-621-0436-2P-CS1498](#) [041809-000](#) [199653-000](#) [468675-000](#) [608041-000](#) [DK-621-0411-45S](#) [DK-621-1635-2PCS324](#) [DK-621-1636-2S](#) [DK-621-1638-3S](#) [DK-621-1640-4P](#) [149317-000](#) [DK-621-0435R-2S](#) [011689-000](#) [D-621-0412-JD](#) [DK-621-0437-3S](#) [DK-621-0435-2S](#) [143981-000](#) [156542-000](#) [210033-000](#) [361727-000](#) [438510-000](#) [477643-000](#) [491332-000](#) [118345-000](#) [633671-000](#)