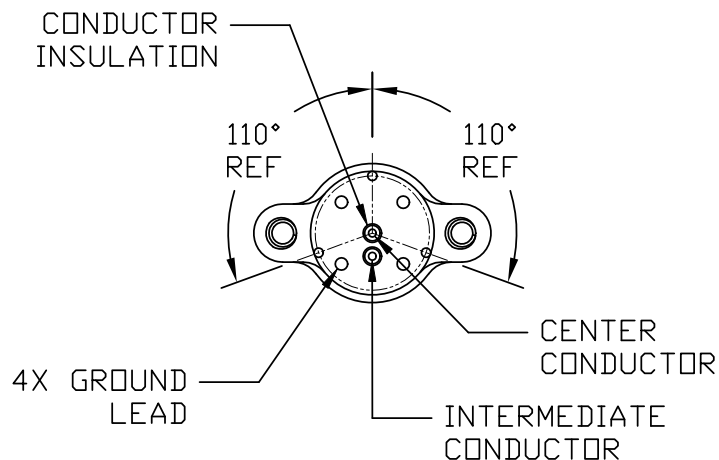
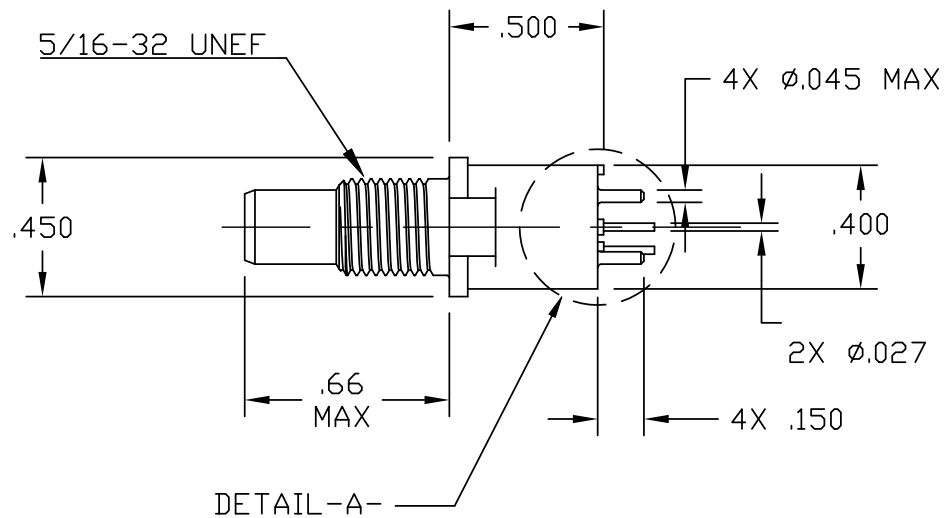
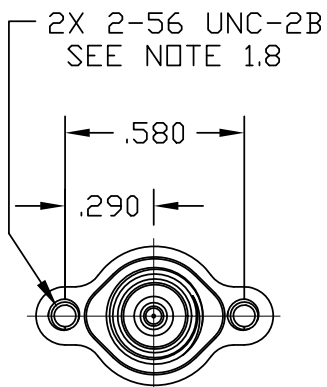


REVISIONS				
P	LTR	DESCRIPTION	DATE	DWN APVD
B		REVISED PER ECO-21-006751	16JUN2021	PT LR



NOTES: UNLESS OTHERWISE SPECIFIED
1.0 MATERIALS AND FINISHES

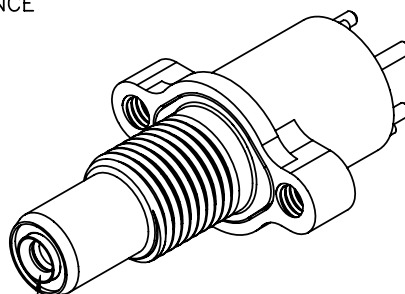
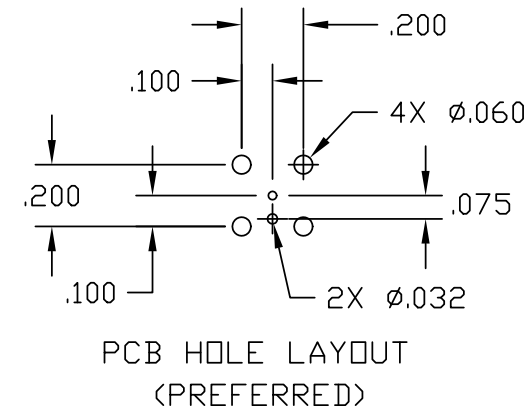
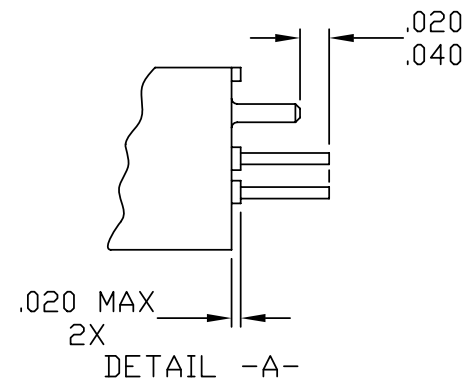
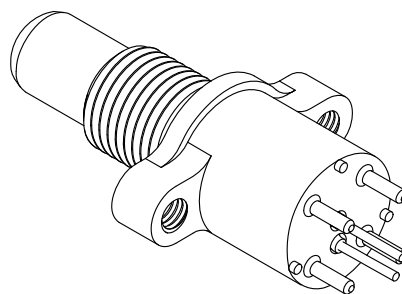
- 1.1 HOUSING BODY: BeCu ALLOY, ASTM B196, TB00 OR TD04 AND BRASS 360 HH. TIN PLATED PER ASTM-B545, OVER NICKEL PER MIL-DTL-32119
- 1.2 CONTACT INSULATION: POLYETHERSULFONE
- 1.3 CONDUCTOR INSULATION (2X): CROSS-LINKED POLYVINYLIDENE FLOURIDE
- 1.4 CONDUCTOR LEAD (2X): 22 AWG .027 MAX DIAMETER, TIN PLATED COPPER WIRE
- 1.5 GROUND LEADS (4X): .040 TYP DIAMETER, BRASS 360 HH. TIN PLATED PER ASTM-B545, OVER NICKEL PER MIL-DTL-32119
- 1.6 LEAD SOLDERABILITY: PER J-STD-002, LESS STEAM AGING
- 1.7 ALIGNMENT BUSHING TO BE INSTALLED ON DK-621-0012-SM
- 1.8 SELF-LOCKING THREADED INSERTS: CORROSION RESISTANT STEEL PER AS7245

2.0 PERFORMANCE REQUIREMENTS

- 2.1 REFER TO TE CONNECTIVITY SPECIFICATION D-6025 FOR PRODUCT PERFORMANCE AND QUALIFICATION REQUIREMENTS

3.0 GENERAL CHARACTERISTICS

- 3.1 OPERATING TEMPERATURE: -65°C TO 125°C
- 3.2 INSULATION RESISTANCE: GREATER THAN 5K MEGAOHMS
- 3.3 DIELECTRIC STRENGTH: 900 VAC @ 60 Hz
- 3.4 CURRENT RATING: 3 AMPS MAX
- 3.5 CONTACT RESISTANCE: INITIAL: 8 MILLIOHMS MAX
- 3.6 MATING COUPLING TORQUE: 10 INCH LBS MAX



NOTE 1.7
ALIGNMENT
BUSHING

DK-621-0012-SM	D-602-0155	TWISTED PAIR SOCKET ASSEMBLY	DK-621-0011-P
DK-621-0012-PM	D-602-0126	TWISTED PAIR PIN ASSEMBLY	DK-621-0011-S
DESCRIPTION	CONTACT	CONTACT DESCRIPTION	MATING PART
PART ORDERING INFORMATION			

THIS DRAWING AND THE INFORMATION SET FORTH HEREON ARE THE PROPERTY OF TE CONNECTIVITY CORPORATION, AND ARE TO BE HELD IN TRUST AND CONFIDENCE. PUBLICATION, DUPLICATION, DISCLOSURE OR USE FOR ANY PURPOSE NOT EXPRESSLY AUTHORIZED IN WRITING BY TE CONNECTIVITY CORPORATION IS PROHIBITED.

THIS DRAWING IS A CONTROLLED DOCUMENT.		DWN TNGUYEN 01FEB2013	TE Connectivity	
DIMENSIONS: INCHES		CHK PTALLY 16JUN2021		
TOLERANCES UNLESS OTHERWISE SPECIFIED:		APVD LRODRIGUEZ 16JUN2021	NAME CONNECTOR, TRIAXIAL THREADED JACK, PCB MOUNT	
		PRODUCT SPEC D-6025	RESTRICTED TO	
MATERIAL SEE NOTES		FINISH SEE NOTES	SIZE A2	CAGE CODE 06090
		WEIGHT 8.2 G	DRAWING NO C=DK-621-0012-XM	REV B
		CUSTOMER DRAWING	SCALE 1:1	SHEET 1 of 1

Raychem Databus
CUSTOMER DRAWING

X-ON Electronics

Largest Supplier of Electrical and Electronic Components

Click to view similar products for [Data Bus Components - Contacts](#) category:

Click to view products by [TE Connectivity](#) manufacturer:

Other Similar products are found below :

[601150-000](#) [153105-000](#) [CU2131-000](#) [DK-602-0156-2](#) [DK-602-0156-N-6](#) [DK-602-0157-1](#) [DK-602-0157-2](#) [DK-602-0157-N-1](#) [DK-602-0157-N-2](#) [783425-000](#) [601156-000](#) [DK-621-0012-SM](#)