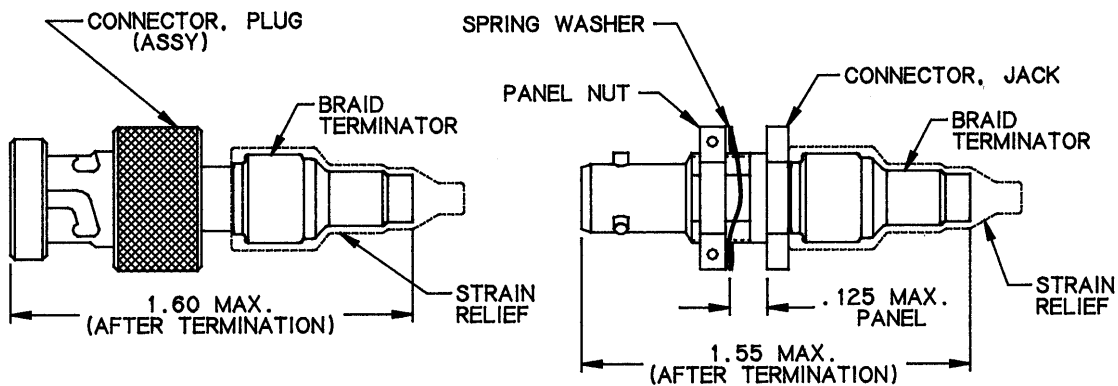


REVISIONS			
LTR	DESCRIPTION	DATE	APPROVED
NC	RELEASED PER E.C.N. T-9695	88-3-8	Z.E.T.
A	REVISED PER E.C.N. T-12027	89-4-12	326



PART No.	CONNECTOR	CONTACT	INTERFACE
DK-621-0045-3P	PLUG	PIN	C
DK-621-0045-3S	PLUG	SOCKET	C
DK-621-0046-3P	JACK	PIN	C
DK-621-0046-3S	JACK	SOCKET	C
DK-621-0047-2P	PLUG	PIN	B
DK-621-0047-2S	PLUG	SOCKET	B
DK-621-0048-2P	JACK	PIN	B
DK-621-0048-2S	JACK	SOCKET	B
DK-621-0049-1P	PLUG	PIN	A
DK-621-0049-1S	PLUG	SOCKET	A
DK-621-0050-1P	JACK	PIN	A
DK-621-0050-1S	JACK	SOCKET	A
DK-621-0051-1P	JACK	PIN	D
DK-621-0051-1S	JACK	SOCKET	D
DK-621-0052-1P	PLUG	PIN	D
DK-621-0052-1S	PLUG	SOCKET	D

SPECIFICATION CONTROL DRAWING © Raychem Corporation 1987

UNLESS OTHERWISE SPECIFIED DIMENSIONS ARE IN INCHES. METRIC DIMENSIONS ARE IN BRACKETS.	DRAWN	RDL	88-2-17	<i>Raychem</i>	RAYCHEM CORPORATION 300 CONSTITUTION DRIVE MENLO PARK, CALIFORNIA 94025			
	CHECKED				TITLE KITS FOR D-621-0045/0052 TRIAxIAL CONNECTORS			
	APPROVED			SIZE		CODE IDENT. NO.	DWG. NO.	REV
	APPROVED	Z.E.T.	88-3-8	A		06090	DK-621-0045/0052-XX	A
DECIMALS .XXX ± NA [mm] .XX ± NA [mm]	CAD NAME 003277-1			DO NOT SCALE THIS DRAWING				
ANGLES .X ± NA	THIRD ANGLE PROJECTION			SHEET 1 OF 2				
WEIGHT lbs [g]								

1.0 REFER TO THE FOLLOWING RAYCHEM SPECIFICATION CONTROL DRAWINGS (SCD) FOR INDIVIDUAL COMPONENT PERFORMANCE PARAMETERS, DIMENSIONS AND MATERIAL DETAILS:

D-621-0045/0052 CONNECTOR, TRIAXIAL, SUBMINIATURE BAYONET COUPLED. (INCLUDES STRAIN RELIEF AND BRAID TERMINATOR)

D-602-0126 CONTACT, PIN, TWISTED PAIR
 D-602-0127 CONTACT, SOCKET, TWISTED PAIR

2.0 REFER TO RAYCHEM SPECIFICATION D-6025 FOR PERFORMANCE AND QUALIFICATION REQUIREMENTS.

3.0 TERMINATION PROCEDURE: RAYCHEM ES 61222

CAD NAME 003277-2

DRAWN	RDL	88-2-20	SIZE A	CODE IDENT. NO. 06090	DWG. NO. DK-621-0045/0052-XX	REV A
ISSUED			DO NOT SCALE THIS DRAWING		SHEET 2 OF 2	

X-ON Electronics

Largest Supplier of Electrical and Electronic Components

Click to view similar products for [Data Bus Components - Connectors](#) category:

Click to view products by [TE Connectivity](#) manufacturer:

Other Similar products are found below :

[891382-000](#) [626023-000](#) [855793-000](#) [D-500-0255-021-01CS252](#) [D-621-0211](#) [D-704-0079](#) [DK-621-0047-2PCS228](#) [DK-621-0412CS325](#)
[DK-621-1637-3P](#) [911225N001](#) [F33352-000](#) [187711-000](#) [201526-000](#) [491952-000](#) [D-600-0174](#) [D-621-0011CS1271](#) [D-621-0472](#) [D-711-03](#)
[DK-621-0050-1P](#) [DK-621-0412-UP](#) [DK-621-0440-4P-CS1498](#) [499725-000](#) [514433-000](#) [E40867-000](#) [614637N002](#) [645241N002](#) [734977-000](#)
[D-500-L455-1-612-360](#) [DK-621-0436-2P-CS1498](#) [041809-000](#) [199653-000](#) [580047-000](#) [608041-000](#) [DK-621-0411-45S](#) [DK-621-0411-US](#)
[DK-621-1633-1S](#) [DK-621-1635-2PCS324](#) [DK-621-1636-2S](#) [DK-621-1638-3S](#) [DK-621-1639-4S](#) [DK-621-1640-4P](#) [149317-000](#) [DK-621-](#)
[0435R-2S](#) [915480-000](#) [DK-621-0435-2UP](#) [D-621-0412-JD](#) [D-621-0477](#) [D-621-0412](#) [DK-621-0411-UP](#) [DK-621-0437-3S](#)