

| REVISIONS |                           |         |          |
|-----------|---------------------------|---------|----------|
| LTR       | DESCRIPTION               | DATE    | APPROVED |
| J1        | REVISED PER ECO-11-005139 | 29MAR11 | HMR      |

IF THIS DOCUMENT IS PRINTED IT BECOMES UNCONTROLLED.  
CHECK FOR THE LATEST REVISION.

NOTES:

1 DK-621-X413 NOT INCLUDED.

| KIT            | PCN NO. | CONNECTOR | CONTACT | USAF NO.      |
|----------------|---------|-----------|---------|---------------|
| DK-621-0411    | 228389  | PLUG      | -----   | N/A           |
| DK-621-0411-P  | 902973  | PLUG      | PIN     | 8340709-00-01 |
| DK-621-0411-UP | 980023  | PLUG      | PIN     | N/A           |
| DK-621-0411-S  | 191045  | PLUG      | SOCKET  | 8340709-00-02 |
| DK-621-0411-US | 580047  | PLUG      | SOCKET  | N/A           |
| DK-621-0412    | 149527  | JACK      | -----   | N/A           |
| DK-621-0412-P  | 118345  | JACK      | PIN     | 8340711-00-01 |
| DK-621-0412-UP | 734977  | JACK      | PIN     | N/A           |
| DK-621-0412-S  | 503123  | JACK      | SOCKET  | 8340711-00-02 |
| DK-621-0412-US | 682615  | JACK      | SOCKET  | N/A           |
| DK-621-0414    | 341103  | JACK      | -----   | N/A           |
| DK-621-0414-P  | 046369  | JACK      | PIN     | N/A           |
| DK-621-0414-S  | 875101  | JACK      | SOCKET  | N/A           |

| NOT AVAILABLE FOR NEW ORDERS                |        |      |        |  |
|---|--------|------|--------|--|
| ORDER EQUIVALENT DK-621-041X(-XX) CONNECTOR |        |      |        |  |
| DK-621-1411                                 | 459727 | PLUG | -----  |  |
| DK-621-1411-P                               | 856385 | PLUG | PIN    |  |
| DK-621-1411-UP                              | 054769 | PLUG | PIN    |  |
| DK-621-1411-S                               | 824175 | PLUG | SOCKET |  |
| DK-621-1411-US                              | 087739 | PLUG | SOCKET |  |
| DK-621-1412                                 | 171793 | JACK | -----  |  |
| DK-621-1412-P                               | 839897 | JACK | PIN    |  |
| DK-621-1412-UP                              | 650513 | JACK | PIN    |  |
| DK-621-1412-S                               | 051167 | JACK | SOCKET |  |
| DK-621-1412-US                              | 544577 | JACK | SOCKET |  |

## SPECIFICATION CONTROL DRAWING

UNLESS OTHERWISE SPECIFIED  
DIMENSIONS ARE IN INCHES.  
METRIC DIMENSIONS ARE  
IN BRACKETS.

DECIMALS

.XXX ± [ ] mm  
.XX ± [ ] mm

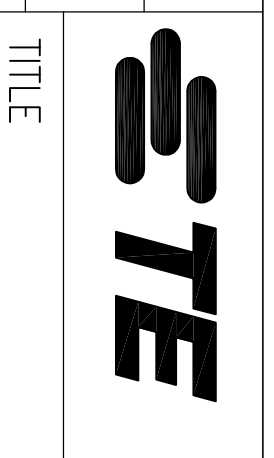
ANGLES

.X ± [ ]

WEIGHT

[ ] lbs [ ] g

|          |          |          |
|----------|----------|----------|
| DRAWN    | J.B.K.   | 92 MAR 3 |
| CHECKED  |          |          |
| APPROVED |          |          |
| APPROVED | Z.TEMAN  | 92 MAR 3 |
| CAD NAME | 004990-1 |          |



TE Connectivity  
300 Constitution Drive  
Menlo Park, CA. 94025 U.S.A.

**Raychem**

TITLE  
KITS FOR  
D-621 THREADED 400 SERIES  
TRIAXIAL CONNECTORS  
(FOR TWINAXIAL CABLES)

SIZE

A

CODE IDENT. NO.

06090

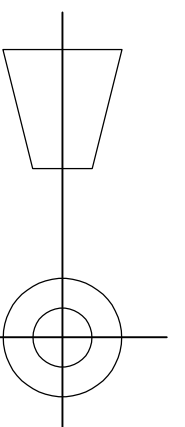
DWG. NO.

DK-621-X411/X414[-XX]

REV

J1

THIRD ANGLE  
PROJECTION



DO NOT SCALE THIS DRAWING

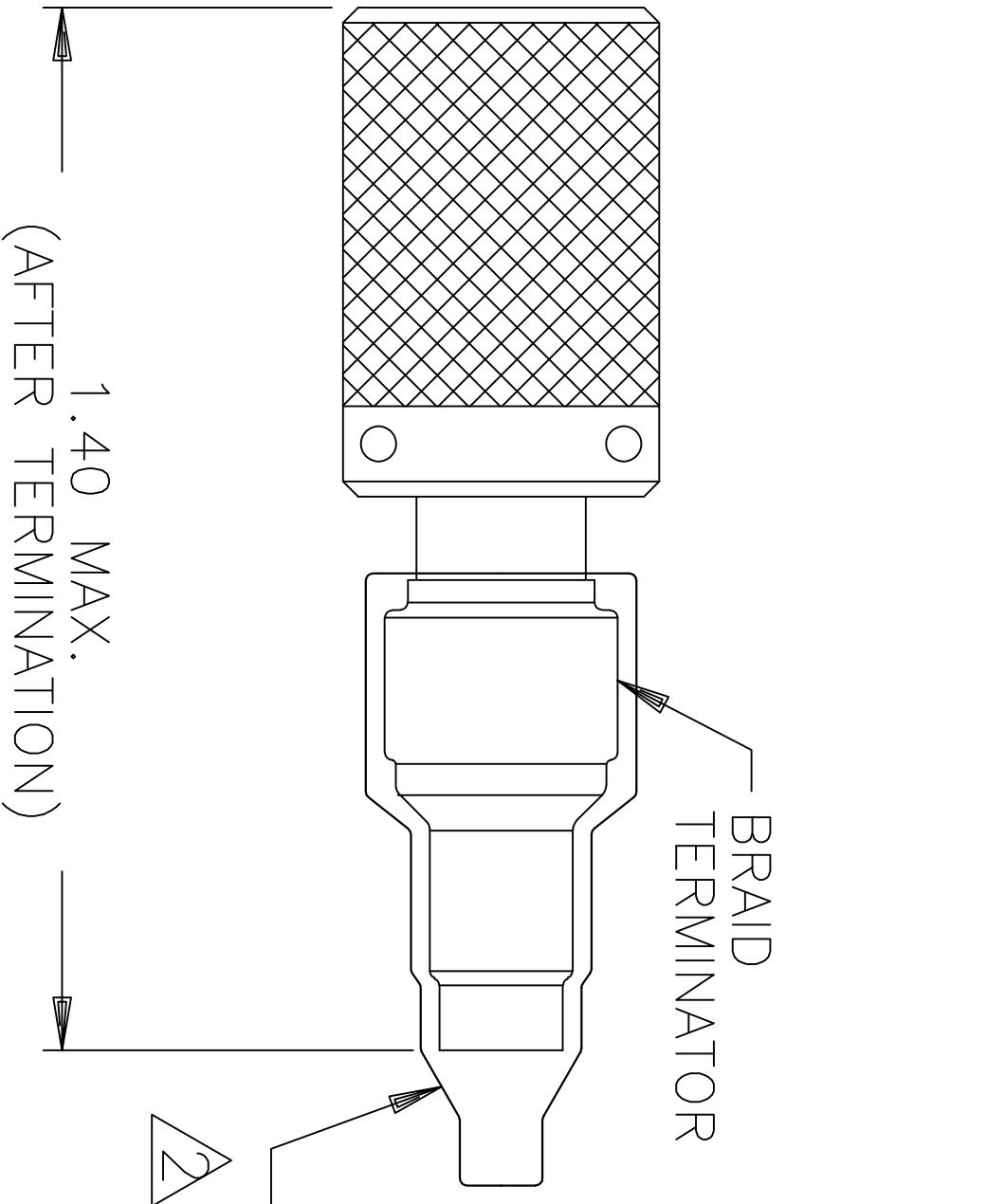
SHEET 1 OF 2

NOTES: (CONTINUED)

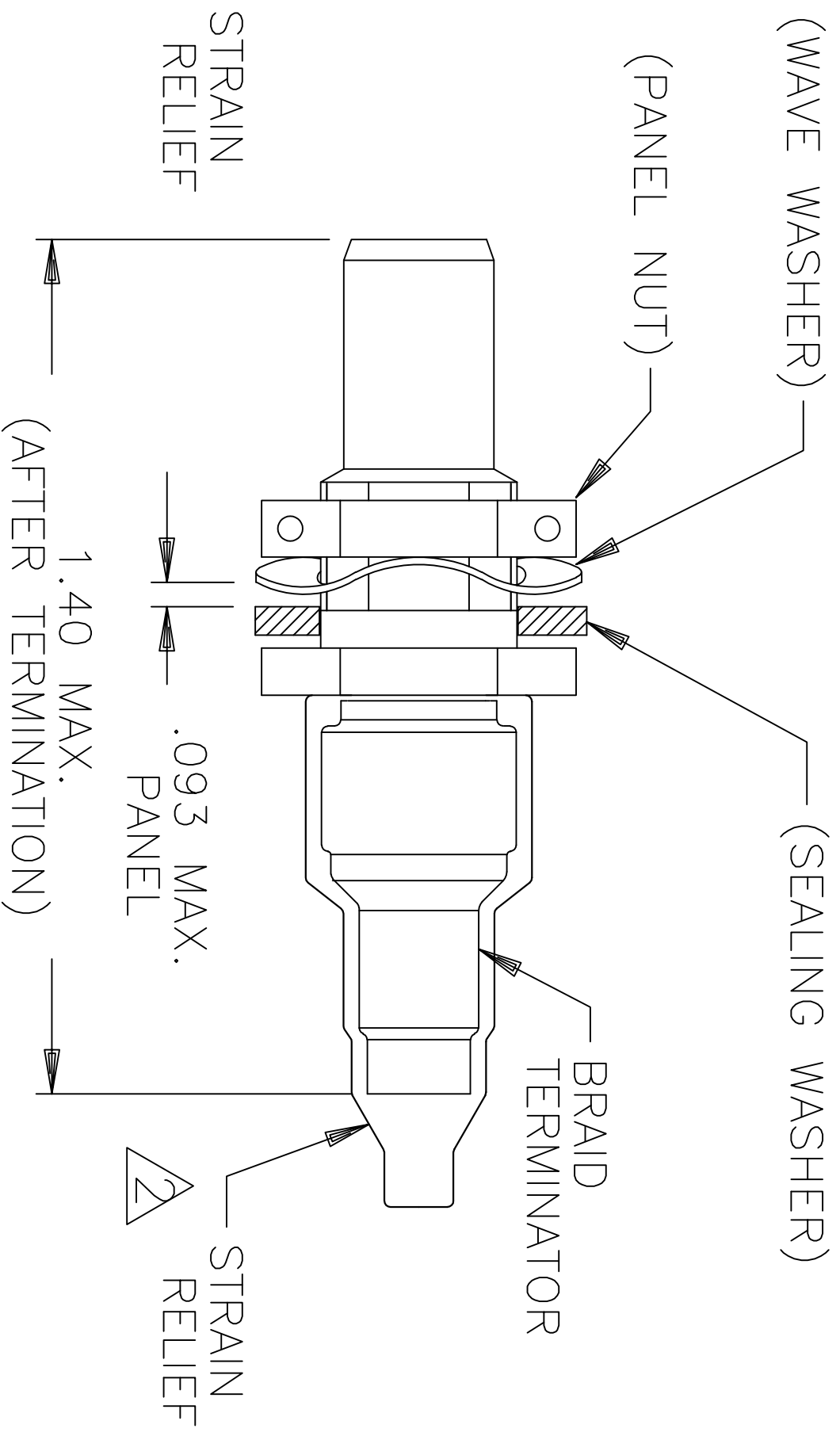
SEE SHEET 1 FOR REVISION

△ USAF No.: PLUG - 8340709-00-0X } PRINTED ON STRAIN RELIEF OF  
 JACK - 8340711-00-0X } DK-621-04YY SERIES.

3. D-600-0030 BRAID TERMINATOR REPLACES D-600-0055 AND D-600-0056.



PLUG CONNECTOR  
ASSEMBLY



JACK CONNECTOR  
ASSEMBLY

REQUIREMENTS:

1.0 REFER TO THE FOLLOWING RAYCHEM SPECIFICATION CONTROL DRAWINGS (SCD) FOR INDIVIDUAL COMPONENT DETAILS:

|            |                                   |
|------------|-----------------------------------|
| D-621-0411 | CONNECTOR, TRIAXIAL, SUBMINIATURE |
| D-621-0412 |                                   |
| D-621-0414 |                                   |
| D-602-0126 | CONTACT, PIN                      |
| D-602-0127 | CONTACT, SOCKET                   |
| D-600-0030 | BRAID TERMINATOR                  |
| D-600-0019 | STRAIN RELIEF                     |
|            | NOT SHOWN                         |
|            | NOT SHOWN                         |
|            | NOT USED WITH<br>DK-621-0414(-X)  |

2.0 CONNECTORS ARE QUALIFIED TO RAYCHEM SPECIFICATION D-6025.

3.0 TERMINATION PROCEDURE: RAYCHEM ES 61162

IF THIS DOCUMENT IS PRINTED IT BECOMES UNCONTROLLED.  
 CHECK FOR THE LATEST REVISION.

|                    |        |        |          |                           |                 |                       |              |
|--------------------|--------|--------|----------|---------------------------|-----------------|-----------------------|--------------|
| CAD NAME: 004990-2 | DRAWN  | J.B.K. | 92 MAR 3 | SIZE                      | CODE IDENT. NO. | DWG. NO.              | REV          |
|                    | ISSUED |        |          | A                         | 06090           | DK-621-X411/X414[-XX] | J1           |
|                    |        |        |          | DO NOT SCALE THIS DRAWING |                 |                       | SHEET 2 OF 2 |

## X-ON Electronics

Largest Supplier of Electrical and Electronic Components

*Click to view similar products for [Data Bus Components - Connectors](#) category:*

*Click to view products by [TE Connectivity](#) manufacturer:*

Other Similar products are found below :

[626023-000](#) [D-500-0255-021-01CS252](#) [D-621-0211](#) [D-704-0079](#) [DK-621-0047-2SCS228](#) [DK-621-0412CS325](#) [911225N001](#) [F33352-000](#)  
[187711-000](#) [201526-000](#) [477472-000](#) [491952-000](#) [D-600-0174](#) [D-621-0476-L](#) [D-711-03](#) [DK-621-0049-1P](#) [DK-621-0050-1P](#) [DK-621-0412-](#)  
[UP](#) [DK-621-0440-4P-CS1498](#) [514433-000](#) [614637N002](#) [645241N002](#) [734977-000](#) [DK-621-0436-2P-CS1498](#) [041809-000](#) [199653-000](#)  
[468675-000](#) [608041-000](#) [DK-621-0411-45S](#) [DK-621-1635-2PCS324](#) [DK-621-1636-2S](#) [DK-621-1638-3S](#) [DK-621-1640-4P](#) [149317-000](#) [DK-](#)  
[621-0435R-2S](#) [011689-000](#) [D-621-0412-JD](#) [DK-621-0437-3S](#) [DK-621-0435-2S](#) [143981-000](#) [156542-000](#) [210033-000](#) [361727-000](#) [438510-](#)  
[000](#) [477643-000](#) [491332-000](#) [118345-000](#) [633671-000](#) [638491-000](#) [639215-000](#)