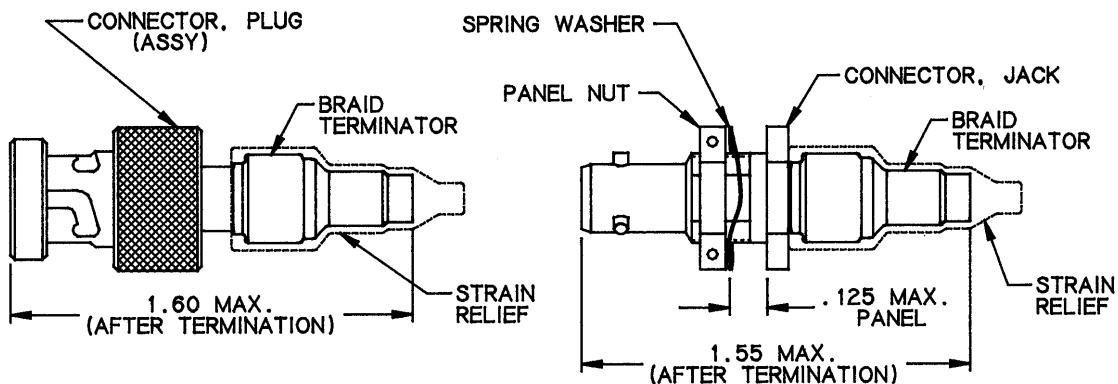


| REVISIONS | | | |
|-----------|----------------------------|---------|----------|
| LTR | DESCRIPTION | DATE | APPROVED |
| NC | RELEASED PER E.C.N. T-9695 | 88-3-8 | Z.E.T. |
| A | REVISED PER E.C.N. T-12027 | 89-4-12 | 326 |



| PART No. | CONNECTOR | CONTACT | INTERFACE |
|----------------|-----------|---------|-----------|
| DK-621-0045-3P | PLUG | PIN | C |
| DK-621-0045-3S | PLUG | SOCKET | C |
| DK-621-0046-3P | JACK | PIN | C |
| DK-621-0046-3S | JACK | SOCKET | C |
| DK-621-0047-2P | PLUG | PIN | B |
| DK-621-0047-2S | PLUG | SOCKET | B |
| DK-621-0048-2P | JACK | PIN | B |
| DK-621-0048-2S | JACK | SOCKET | B |
| DK-621-0049-1P | PLUG | PIN | A |
| DK-621-0049-1S | PLUG | SOCKET | A |
| DK-621-0050-1P | JACK | PIN | A |
| DK-621-0050-1S | JACK | SOCKET | A |
| DK-621-0051-1P | JACK | PIN | D |
| DK-621-0051-1S | JACK | SOCKET | D |
| DK-621-0052-1P | PLUG | PIN | D |
| DK-621-0052-1S | PLUG | SOCKET | D |

SPECIFICATION CONTROL DRAWING © Raychem Corporation 1987

| | | | | | | | | | |
|---|--------------------|--------|---------------------------|------------------------|---|--|---------------------|----------|-----|
| UNLESS OTHERWISE SPECIFIED DIMENSIONS ARE IN INCHES. METRIC DIMENSIONS ARE IN BRACKETS. | DRAWN | RDL | 88-2-17 | <i>Raychem</i> | RAYCHEM CORPORATION 300 CONSTITUTION DRIVE MENLO PARK, CALIFORNIA 94025 | | | | |
| | CHECKED | | | | TITLE | KITS FOR D-621-0045/0052 TRIAxIAL CONNECTORS | | | |
| | APPROVED | | | CAD NAME | 003277-1 | SIZE | CODE IDENT. NO. | DWG. NO. | REV |
| | APPROVED | Z.E.T. | 88-3-8 | THIRD ANGLE PROJECTION | A | 06090 | DK-621-0045/0052-XX | A | |
| DECIMALS .XXX ± NA [mm] .XX ± NA [mm] | WEIGHT lbs [g] | | DO NOT SCALE THIS DRAWING | | SHEET 1 OF 2 | | | | |

1.0 REFER TO THE FOLLOWING RAYCHEM SPECIFICATION CONTROL DRAWINGS (SCD) FOR INDIVIDUAL COMPONENT PERFORMANCE PARAMETERS, DIMENSIONS AND MATERIAL DETAILS:

D-621-0045/0052 CONNECTOR, TRIAXIAL, SUBMINIATURE BAYONET COUPLED. (INCLUDES STRAIN RELIEF AND BRAID TERMINATOR)

D-602-0126 CONTACT, PIN, TWISTED PAIR
 D-602-0127 CONTACT, SOCKET, TWISTED PAIR

2.0 REFER TO RAYCHEM SPECIFICATION D-6025 FOR PERFORMANCE AND QUALIFICATION REQUIREMENTS.

3.0 TERMINATION PROCEDURE: RAYCHEM ES 61222

CAD NAME 003277-2

| | | | | | | |
|--------|-----|---------|---------------------------|--------------------------|---------------------------------|----------|
| DRAWN | RDL | 88-2-20 | SIZE A | CODE IDENT. NO. 06090 | DWG. NO. DK-621-0045/0052-XX | REV A |
| ISSUED | | | DO NOT SCALE THIS DRAWING | | SHEET 2 OF 2 | |

X-ON Electronics

Largest Supplier of Electrical and Electronic Components

Click to view similar products for [Data Bus Components - Connectors](#) category:

Click to view products by [TE Connectivity](#) manufacturer:

Other Similar products are found below :

[891382-000](#) [626023-000](#) [855793-000](#) [D-500-0255-021-01CS252](#) [D-621-0211](#) [D-704-0079](#) [DK-621-0047-2PCS228](#) [DK-621-0412CS325](#)
[DK-621-1637-3P](#) [F33352-000](#) [187711-000](#) [201526-000](#) [491952-000](#) [D-600-0174](#) [D-621-0011CS1271](#) [D-711-03](#) [DK-621-0050-1P](#) [DK-621-](#)
[0412-UP](#) [DK-621-0440-4P-CS1498](#) [499725-000](#) [514433-000](#) [614637N002](#) [645241N002](#) [734977-000](#) [D-500-L455-1-612-360](#) [DK-621-0436-](#)
[2P-CS1498](#) [041809-000](#) [199653-000](#) [580047-000](#) [608041-000](#) [DK-621-0411-45S](#) [DK-621-0411-US](#) [DK-621-1633-1S](#) [DK-621-1635-](#)
[2PCS324](#) [DK-621-1636-2S](#) [DK-621-1638-3S](#) [DK-621-1639-4S](#) [DK-621-1640-4P](#) [149317-000](#) [DK-621-0435R-2S](#) [DK-621-0435-2UP](#) [D-](#)
[621-0412-JD](#) [D-621-0477](#) [DK-621-0437-3S](#) [DK-621-0940-4P](#) [DK-621-0435-2S](#) [530805-000](#) [DK-621-0433](#) [1163793](#) [1163797](#)