

REVISIONS			
LTR	DESCRIPTION	DATE	APPROVED
K1	REVISED PER ECO-11-005139	29MAR2011	HMR
L	ADDED PAGE 3 PER ECO-17-014556	04OCT2017	I.M.

DK-621-14XX-XX CONNECTORS ARE NOT AVAILABLE FOR NEW ORDERS. ORDER EQUIVALENT DK-621-04XX-XX CONNECTOR.


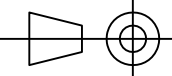
PART NUMBER	CONNECTOR	CONTACT	CONNECTOR INTERFACE	COLOR CODE
DK-621-0433	PLUG	_____	A	RED
DK-621-0433-1P	PLUG	PIN	A	RED
DK-621-0433-1UP	PLUG	PIN	A	RED
DK-621-0433-1S	PLUG	SOCKET	A	RED
DK-621-0433-1US	PLUG	SOCKET	A	RED
DK-621-0434	JACK	_____	A	RED
DK-621-0434-1P	JACK	PIN	A	RED
DK-621-0434-1UP	JACK	PIN	A	RED
DK-621-0434-1S	JACK	SOCKET	A	RED
DK-621-0434-1US	JACK	SOCKET	A	RED
DK-621-0435	PLUG	_____	B	WHITE
DK-621-0435-2P	PLUG	PIN	B	WHITE
DK-621-0435-2UP	PLUG	PIN	B	WHITE
DK-621-0435-2S	PLUG	SOCKET	B	WHITE
DK-621-0435-2US	PLUG	SOCKET	B	WHITE
DK-621-0436	JACK	_____	B	WHITE
DK-621-0436-2P	JACK	PIN	B	WHITE
DK-621-0436-2UP	JACK	PIN	B	WHITE
DK-621-0436-2S	JACK	SOCKET	B	WHITE
DK-621-0436-2US	JACK	SOCKET	B	WHITE
DK-621-0437	PLUG	_____	C	GREEN
DK-621-0437-3P	PLUG	PIN	C	GREEN
DK-621-0437-3UP	PLUG	PIN	C	GREEN
DK-621-0437-3S	PLUG	SOCKET	C	GREEN
DK-621-0437-3US	PLUG	SOCKET	C	GREEN
DK-621-0438	JACK	_____	C	GREEN
DK-621-0438-3P	JACK	PIN	C	GREEN
DK-621-0438-3UP	JACK	PIN	C	GREEN
DK-621-0438-3S	JACK	SOCKET	C	GREEN
DK-621-0438-3US	JACK	SOCKET	C	GREEN
DK-621-0439	PLUG	_____	D	N/A
DK-621-0439-4P	PLUG	PIN	D	N/A
DK-621-0439-4UP	PLUG	PIN	D	N/A
DK-621-0439-4S	PLUG	SOCKET	D	N/A
DK-621-0439-4US	PLUG	SOCKET	D	N/A
DK-621-0440	JACK	_____	D	N/A
DK-621-0440-4P	JACK	PIN	D	N/A
DK-621-0440-4UP	JACK	PIN	D	N/A
DK-621-0440-4S	JACK	SOCKET	D	N/A
DK-621-0440-4US	JACK	SOCKET	D	N/A

PART NUMBER	CONNECTOR	CONTACT	CONNECTOR INTERFACE	COLOR CODE
DK-621-1433	PLUG	_____	A	RED
DK-621-1433-1P	PLUG	PIN	A	RED
DK-621-1433-1S	PLUG	SOCKET	A	RED
DK-621-1434	JACK	_____	A	RED
DK-621-1434-1P	JACK	PIN	A	RED
DK-621-1434-1S	JACK	SOCKET	A	RED
DK-621-1435	PLUG	_____	B	WHITE
DK-621-1435-2P	PLUG	PIN	B	WHITE
DK-621-1435-2S	PLUG	SOCKET	B	WHITE
DK-621-1436	JACK	_____	B	WHITE
DK-621-1436-2P	JACK	PIN	B	WHITE
DK-621-1436-2S	JACK	SOCKET	B	WHITE
DK-621-1437	PLUG	_____	C	GREEN
DK-621-1437-3P	PLUG	PIN	C	GREEN
DK-621-1437-3S	PLUG	SOCKET	C	GREEN
DK-621-1438	JACK	_____	C	GREEN
DK-621-1438-3P	JACK	PIN	C	GREEN
DK-621-1438-3S	JACK	SOCKET	C	GREEN
DK-621-1439	PLUG	_____	D	N/A
DK-621-1439-4P	PLUG	PIN	D	N/A
DK-621-1439-4S	PLUG	SOCKET	D	N/A
DK-621-1440	JACK	_____	D	N/A
DK-621-1440-4P	JACK	PIN	D	N/A
DK-621-1440-4S	JACK	SOCKET	D	N/A

IF THIS DOCUMENT IS PRINTED IT BECOMES UNCONTROLLED. CHECK FOR THE LATEST REVISION.

© 2009-2017 TE Connectivity Corporation. All Rights Reserved.

## Raychem Databus CUSTOMER DRAWING

UNLESS OTHERWISE SPECIFIED DIMENSIONS ARE IN INCHES AND METRIC DIMENSIONS ARE IN BRACKETS. DECIMALS .XXX ± --- [---mm] .XX ± --- [---mm] ANGLES .X ± --- WEIGHT ---lbs [---g]	DRAWN J.B.K. 1992Mar03 CHECKED G.Rositano 2009Mar12 APPROVED Z.TEMAN 1992Mar03	 TE Connectivity TITLE KITS FOR DK-621-0433/0440 TRIAXIAL CONNECTORS SIZE A CODE IDENT. NO. 06090 DWG. NO. DK-621-X433/X440-XX DO NOT SCALE THIS DRAWING SHEET 1 OF 3
	CAD NAME DK621-X433-X440_CD_Ka	
	THIRD ANGLE PROJECTION 	



NOTES:

1.0 REFER TO THE FOLLOWING TE CONNECTIVITY CUSTOMER DRAWINGS (CD) FOR INDIVIDUAL COMPONENT DETAILS:

- D-621-0433/0440 CONNECTOR, TRIAXIAL, BAYONET COUPLED
  - D-602-0126 CONTACT, PIN, TWISTED PAIR
  - D-602-0127 CONTACT, SOCKET, TWISTED PAIR
  - (D-600-0030) BRAID TERMINATOR
  - (D-600-0019) STRAIN RELIEF
  - (D-600-0053) SEALING WASHER (JACK ONLY)
- \* SEALING WASHER MAY BE INSTALLED IF THE PANEL THICKNESS IS LESS THAN 0.093 INCH.

2.0 CONNECTORS ARE QUALIFIED TO RAYCHEM SPECIFICATION D-6025.

3.0 TERMINATION PROCEDURE: RAYCHEM ES 61162.

IF THIS DOCUMENT IS PRINTED IT BECOMES UNCONTROLLED. CHECK FOR THE LATEST REVISION.

Raychem Databus CUSTOMER DRAWING					
DRAWN	DATE	SIZE	CAGE CODE	DWG. NO.	REV
J.B.K.	91Apr2003	A	06090	DK-621-X433/X440-XX	L
CAD FILE			DO NOT SCALE THIS DRAWING		SHEET 2 OF 3
DK621-X433-X440_CD_Kb					

# Bayonet Style D-621 Connector Kit Part Numbering

**DK-621 - 04 33 - 1 U P**

**CONTACT**

P: Pin  
 S: Socket  
 Omit if contact is not required

**UNMARKED STRAIN RELIEF TUBING**

Omit if Air Force part number marking is required  
 Omit if contact is not required

**KEYING POLARIZATION**

1: A Keying  
 2: B Keying  
 3: C Keying  
 4: D Keying  
 Omit if contact is not required

-: Part number separator  
 Omit if contact is not required

**BASIC CONNECTOR CONFIGURATION**


33: Plug, A Keying  
 34: Jack, A Keying  
 35: Plug, B Keying  
 36: Jack, B Keying  
 37: Plug, C Keying  
 38: Jack, C Keying  
 39: Plug, D Keying  
 40: Jack, D Keying

**SERIES**

-: Part number separator

**D-621 CONNECTOR, KITTED WITH ACCESSORIES**

IF THIS DOCUMENT IS PRINTED IT BECOMES UNCONTROLLED. CHECK FOR THE LATEST REVISION.

Raychem Databus CUSTOMER DRAWING						TE Connectivity
DRAWN G.M.R.	DATE 03Oct2017	SIZE A	CAGE CODE 06090	DWG. NO. DK-621-X433/X440-XX	REV L	
CAD FILE DK621-X433-X440_CD_Kb		DO NOT SCALE THIS DRAWING			SHEET 3 OF 3	

## X-ON Electronics

Largest Supplier of Electrical and Electronic Components

*Click to view similar products for [Data Bus Components - Connectors](#) category:*

*Click to view products by [TE Connectivity](#) manufacturer:*

Other Similar products are found below :

[891382-000](#) [626023-000](#) [D-500-0255-021-01CS252](#) [D-621-0211](#) [D-704-0079](#) [DK-621-0047-2PCS228](#) [DK-621-0047-2SCS228](#) [DK-621-0412CS325](#) [911225N001](#) [F33352-000](#) [187711-000](#) [201526-000](#) [477472-000](#) [491952-000](#) [D-600-0174](#) [D-621-0476-L](#) [D-711-03](#) [DK-621-0049-1P](#) [DK-621-0050-1P](#) [DK-621-0412-UP](#) [DK-621-0440-4P-CS1498](#) [514433-000](#) [614637N002](#) [645241N002](#) [734977-000](#) [DK-621-0436-2P-CS1498](#) [041809-000](#) [199653-000](#) [468675-000](#) [608041-000](#) [DK-621-0411-45S](#) [DK-621-1635-2PCS324](#) [DK-621-1636-2S](#) [DK-621-1638-3S](#) [DK-621-1640-4P](#) [149317-000](#) [DK-621-0435R-2S](#) [011689-000](#) [D-621-0412-JD](#) [DK-621-0437-3S](#) [DK-621-0435-2S](#) [143981-000](#) [156542-000](#) [210033-000](#) [361727-000](#) [438510-000](#) [477643-000](#) [491332-000](#) [118345-000](#) [633671-000](#)