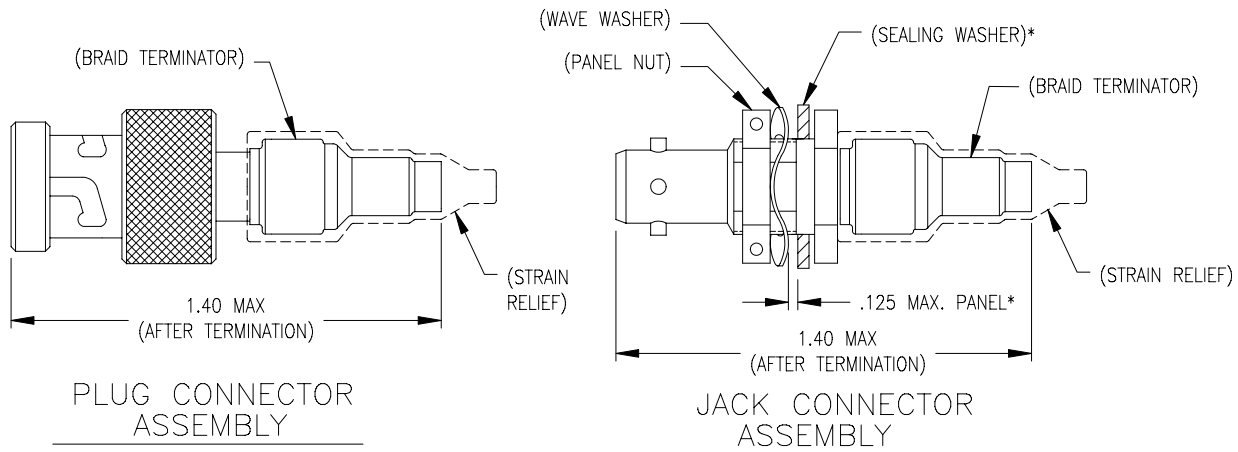




REVISIONS			
LTR	DESCRIPTION	DATE	APPROVED
N/C	INITIAL RELEASE PER DCR # T-31543	01/14/03	M. HIGGY

PART NO.	PCN NO.	CONNECTOR	CONTACT	INTERFACE	MARKING (STRAIN RELIEF)
DK-621-0439F-4P	A61775-000	PLUG	PIN	D	8912003-00-04
DK-621-0439F-4S	F64505-000		SOCKET	D	8912003-00-08
DK-621-0440F-4P	E24799-000	JACK	PIN	D	8912004-00-04
DK-621-0440F-4S	D42234-000		SOCKET	D	8912004-00-08



REQUIREMENTS:

1.0 REFER TO THE FOLLOWING TYCO ELECTRONICS/RAYCHEM SPECIFICATION CONTROL DRAWINGS (SCD) OR INDIVIDUAL COMPONENT DETAILS:

- D-621-0439F CONNECTOR, TRIAXIAL, BAYONET COUPLED
- D-621-0440F CONNECTOR, TRIAXIAL, BAYONET COUPLED
- (D-602-0126) CONTACT, PIN, TWISTED PAIR
- (D-602-0127) CONTACT, SOCKET, TWISTED PAIR
- (D-600-0030) BRAID TERMINATOR
- (D-600-0019) STRAIN RELIEF (SEE MARKING ON TABLE)
- (D-600-0053F) SEALING WASHER (JACK ONLY)

\* SEALING WASHER MAY BE INSTALLED IF THE PANEL THICKNESS IS LESS THAN 0.093 INCH.

2.0 CONNECTORS ARE QUALIFIED TO TYCO ELECTRONICS/RAYCHEM SPECIFICATION D-6025.

3.0 TERMINATION PROCEDURE: TYCO ELECTRONICS/RAYCHEM ES 61162.

SPECIFICATION CONTROL DRAWING

UNLESS OTHERWISE SPECIFIED DIMENSIONS ARE IN INCHES. METRIC DIMENSIONS ARE IN BRACKETS.  DECIMALS .XXX ± _____ .XX ± _____ ANGLES _____	DRAWN	MFORONDA	01/14/03		
	CHECKED				
	APPROVED	M.HIGGY	01/14/03	TITLE KITS FOR D-621 TRIAXIAL CONNECTORS WITH FLUOROSILICONE GASKET	
	APPROVED			SIZE A CODE IDENT. NO. 06090 DWG. NO. DK-621-0439F-4X/0440F-4X REV N/C	
WEIGHT ---	THIRD ANGLE PROJECTION		DO NOT SCALE THIS DRAWING		
			SHEET 1 OF 1		



## X-ON Electronics

Largest Supplier of Electrical and Electronic Components

*Click to view similar products for [Data Bus Components - Connectors](#) category:*

*Click to view products by [TE Connectivity](#) manufacturer:*

Other Similar products are found below :

[891382-000](#) [626023-000](#) [D-500-0255-021-01CS252](#) [D-621-0211](#) [D-704-0079](#) [DK-621-0047-2PCS228](#) [DK-621-0047-2SCS228](#) [DK-621-0412CS325](#) [911225N001](#) [F33352-000](#) [187711-000](#) [201526-000](#) [477472-000](#) [491952-000](#) [D-600-0174](#) [D-621-0476-L](#) [D-711-03](#) [DK-621-0049-1P](#) [DK-621-0050-1P](#) [DK-621-0412-UP](#) [DK-621-0440-4P-CS1498](#) [514433-000](#) [614637N002](#) [645241N002](#) [734977-000](#) [DK-621-0436-2P-CS1498](#) [041809-000](#) [199653-000](#) [468675-000](#) [608041-000](#) [DK-621-0411-45S](#) [DK-621-1635-2PCS324](#) [DK-621-1636-2S](#) [DK-621-1638-3S](#) [DK-621-1640-4P](#) [149317-000](#) [DK-621-0435R-2S](#) [011689-000](#) [D-621-0412-JD](#) [DK-621-0437-3S](#) [DK-621-0435-2S](#) [143981-000](#) [156542-000](#) [210033-000](#) [361727-000](#) [438510-000](#) [477643-000](#) [491332-000](#) [118345-000](#) [633671-000](#)