



REVISIONS			
LTR	DESCRIPTION	DATE	APPROVED
NC	RELEASED PER E.C.N. T-11777	89-3-28	390

PART No.	CONNECTOR	CONTACT	INTERFACE	COLOR CODE
DK-621-X633	PLUG	—	A	RED
DK-621-X633-1P	PLUG	PIN	A	RED
DK-621-X633-1S	PLUG	SOCKET	A	RED
DK-621-X634	JACK	—	A	RED
DK-621-X634-1P	JACK	PIN	A	RED
DK-621-X634-1S	JACK	SOCKET	A	RED
DK-621-X635	PLUG	—	B	WHITE
DK-621-X635-2P	PLUG	PIN	B	WHITE
DK-621-X635-2S	PLUG	SOCKET	B	WHITE
DK-621-X636	JACK	—	B	WHITE
DK-621-X636-2P	JACK	PIN	B	WHITE
DK-621-X636-2S	JACK	SOCKET	B	WHITE
DK-621-X637	PLUG	—	C	GREEN
DK-621-X637-3P	PLUG	PIN	C	GREEN
DK-621-X637-3S	PLUG	SOCKET	C	GREEN
DK-621-X638	JACK	—	C	GREEN
DK-621-X638-3P	JACK	PIN	C	GREEN
DK-621-X638-3S	JACK	SOCKET	C	GREEN
DK-621-X639	PLUG	—	D	N/A
DK-621-X639-4P	PLUG	PIN	D	N/A
DK-621-X639-4S	PLUG	SOCKET	D	N/A
DK-621-X640	JACK	—	D	N/A
DK-621-X640-4P	JACK	PIN	D	N/A
DK-621-X640-4S	JACK	SOCKET	D	N/A

DRAWING No. EXAMPLE: D-621-X633

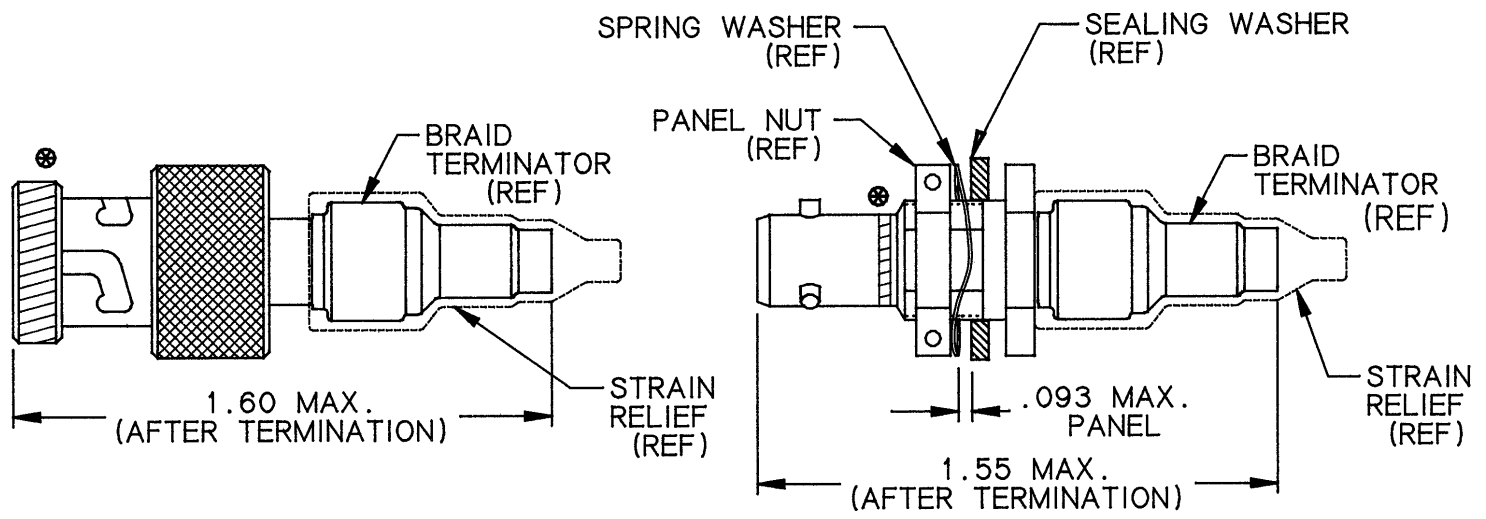
-0633: .148 MAX. CABLE DIA ACCOMODATION

-1633: .180 MAX. CABLE DIA ACCOMODATION

# SPECIFICATION CONTROL DRAWING © Raychem Corporation 1989

UNLESS OTHERWISE SPECIFIED DIMENSIONS ARE IN INCHES. METRIC DIMENSIONS ARE IN BRACKETS.  DECIMALS .XXX ± NA [ mm ] .XX ± NA [ mm ]  ANGLES .X ± NA  WEIGHT lbs [ g ]	DRAWN		89-2-28	 RAYCHEM CORPORATION 300 CONSTITUTION DRIVE MENLO PARK, CALIFORNIA 94025	
	CHECKED				
	APPROVED				
	APPROVED		89-3-28		
	CAD NAME	003533-1			
TITLE <h2 style="text-align: center;">KITS FOR D-621-X633/X640 TRIAxIAL CONNECTORS</h2>					
THIRD ANGLE PROJECTION		SIZE <b>A</b>	CODE IDENT. NO. <b>06090</b>	DWG. NO. <b>DK-621-X633/X640-XX</b>	REV <b>NC</b>
DO NOT SCALE THIS DRAWING				SHEET 1 OF 2	





PLUG CONNECTOR ASSEMBLY

JACK CONNECTOR ASSEMBLY

1.0 REFER TO THE FOLLOWING RAYCHEM SPECIFICATION CONTROL DRAWINGS (SCD) FOR INDIVIDUAL COMPONENT DETAILS:

- D-621-X633/X640 CONNECTOR, TRIAXIAL, SUBMINIATURE BAYONET COUPLED. (INCLUDES STRAIN RELIEF AND BRAID TERMINATOR)
- D-602-0126 CONTACT, PIN, TWISTED PAIR
- D-602-0127 CONTACT, SOCKET, TWISTED PAIR

2.0 CONNECTORS ARE QUALIFIED TO RAYCHEM SPECIFICATION D-6025.

3.0 TERMINATION PROCEDURE: RAYCHEM ES 61162.

CAD NAME 003533-2

DRAWN		89-2-28	SIZE A	CODE IDENT. NO. 06090	DWG. NO. DK-621-X633/X640-XX	REV NC
ISSUED			DO NOT SCALE THIS DRAWING		SHEET 2 OF 2	

## X-ON Electronics

Largest Supplier of Electrical and Electronic Components

*Click to view similar products for [RF Connectors / Coaxial Connectors](#) category:*

*Click to view products by [TE Connectivity](#) manufacturer:*

Other Similar products are found below :

[R125315120](#) [8915-1511-000](#) [89674-0827](#) [5916-1103-603](#) [0106-001-000](#) [6-0001-3](#) [6001-7071-019](#) [6002-7051-003](#) [6002-7551-202](#) [6059674-1](#) [619550-1](#) [630059-000](#) [M39012/25-0021](#) [M39012/79-3008](#) [M39030/3-01N](#) [M39030/3-03N](#) [M3933/25-29N](#) [M3933/25-36N](#) [6500-7071-046](#) [6501-1071-002](#) [M83723/72W24576](#) [M83723/72W2457N](#) [6769](#) [CX050L2AQ](#) [7002-1541-010](#) [7003-1572-002](#) [7004-1512-000](#) [7009-1511-004](#) [7010-1511-000](#) [7029-1511-060](#) [7101-1541-010](#) [7101-1571-002](#) [7105-1521-002](#) [7145-1521-002](#) [7209-1511-011](#) [7210-1511-012](#) [7210-1511-015](#) [7210-1511-019](#) [7210-1511-040](#) [7225-1512-050](#) [7242-1511-000](#) [73137-5015](#) [73251-0111](#) [73251-0672](#) [73276-1501](#) [73366-0013](#) [73404-2300](#) [73413-6080](#) [734151610](#) [73415-5721](#)