



REVISIONS			
LTR	DESCRIPTION	DATE	APPROVED
NC	RELEASED PER E.C.N. T-11777	89-3-28	390

PART No.	CONNECTOR	CONTACT	INTERFACE	COLOR CODE
DK-621-X633	PLUG	—	A	RED
DK-621-X633-1P	PLUG	PIN	A	RED
DK-621-X633-1S	PLUG	SOCKET	A	RED
DK-621-X634	JACK	—	A	RED
DK-621-X634-1P	JACK	PIN	A	RED
DK-621-X634-1S	JACK	SOCKET	A	RED
DK-621-X635	PLUG	—	B	WHITE
DK-621-X635-2P	PLUG	PIN	B	WHITE
DK-621-X635-2S	PLUG	SOCKET	B	WHITE
DK-621-X636	JACK	—	B	WHITE
DK-621-X636-2P	JACK	PIN	B	WHITE
DK-621-X636-2S	JACK	SOCKET	B	WHITE
DK-621-X637	PLUG	—	C	GREEN
DK-621-X637-3P	PLUG	PIN	C	GREEN
DK-621-X637-3S	PLUG	SOCKET	C	GREEN
DK-621-X638	JACK	—	C	GREEN
DK-621-X638-3P	JACK	PIN	C	GREEN
DK-621-X638-3S	JACK	SOCKET	C	GREEN
DK-621-X639	PLUG	—	D	N/A
DK-621-X639-4P	PLUG	PIN	D	N/A
DK-621-X639-4S	PLUG	SOCKET	D	N/A
DK-621-X640	JACK	—	D	N/A
DK-621-X640-4P	JACK	PIN	D	N/A
DK-621-X640-4S	JACK	SOCKET	D	N/A

DRAWING No. EXAMPLE: D-621-X633

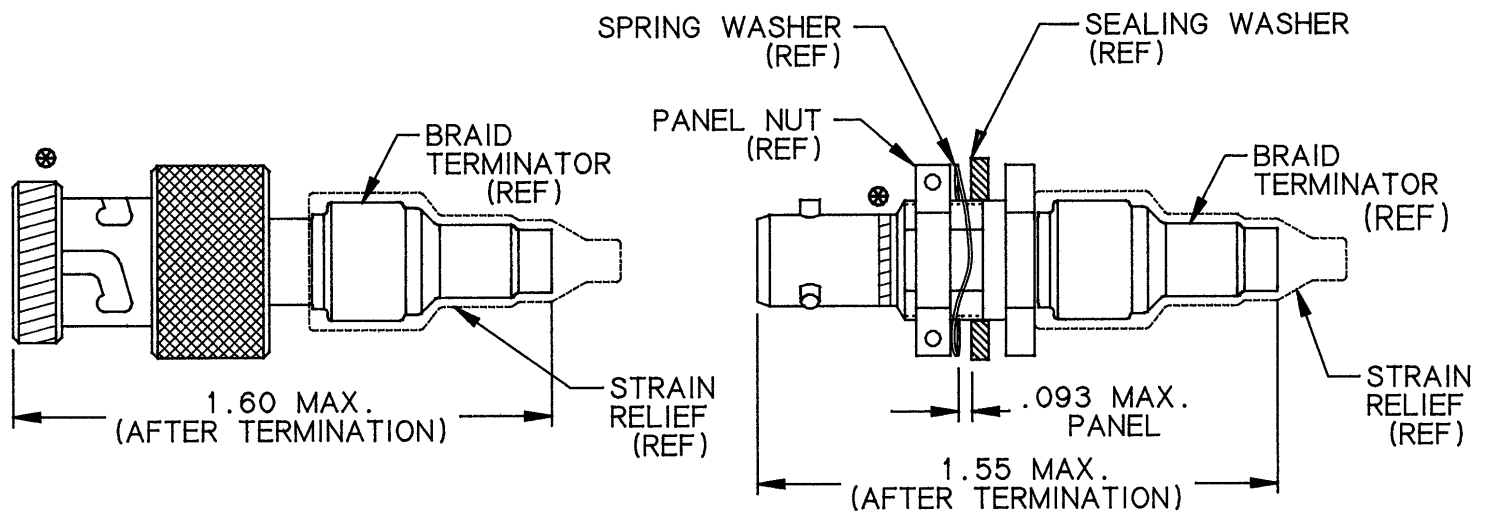
-0633: .148 MAX. CABLE DIA ACCOMODATION

-1633: .180 MAX. CABLE DIA ACCOMODATION

SPECIFICATION CONTROL DRAWING © Raychem Corporation 1989

UNLESS OTHERWISE SPECIFIED DIMENSIONS ARE IN INCHES. METRIC DIMENSIONS ARE IN BRACKETS. DECIMALS .XXX ± NA [mm] .XX ± NA [mm] ANGLES .X ± NA WEIGHT lbs [g]	DRAWN		89-2-28	 RAYCHEM CORPORATION 300 CONSTITUTION DRIVE MENLO PARK, CALIFORNIA 94025	
	CHECKED				
	APPROVED				
	APPROVED		89-3-28		
	CAD NAME	003533-1			
TITLE KITS FOR D-621-X633/X640 TRIAXIAL CONNECTORS					
THIRD ANGLE PROJECTION		SIZE A	CODE IDENT. NO. 06090	DWG. NO. DK-621-X633/X640-XX	REV NC
DO NOT SCALE THIS DRAWING				SHEET 1 OF 2	





PLUG CONNECTOR ASSEMBLY

JACK CONNECTOR ASSEMBLY

1.0 REFER TO THE FOLLOWING RAYCHEM SPECIFICATION CONTROL DRAWINGS (SCD) FOR INDIVIDUAL COMPONENT DETAILS:

- D-621-X633/X640 CONNECTOR, TRIAXIAL, SUBMINIATURE BAYONET COUPLED. (INCLUDES STRAIN RELIEF AND BRAID TERMINATOR)
- D-602-0126 CONTACT, PIN, TWISTED PAIR
- D-602-0127 CONTACT, SOCKET, TWISTED PAIR

2.0 CONNECTORS ARE QUALIFIED TO RAYCHEM SPECIFICATION D-6025.

3.0 TERMINATION PROCEDURE: RAYCHEM ES 61162.

CAD NAME 003533-2

DRAWN		89-2-28	SIZE A	CODE IDENT. NO. 06090	DWG. NO. DK-621-X633/X640-XX	REV NC
ISSUED			DO NOT SCALE THIS DRAWING			SHEET 2 OF 2

X-ON Electronics

Largest Supplier of Electrical and Electronic Components

Click to view similar products for [Data Bus Components - Connectors](#) category:

Click to view products by [TE Connectivity](#) manufacturer:

Other Similar products are found below :

[891382-000](#) [626023-000](#) [D-500-0255-021-01CS252](#) [D-621-0211](#) [D-704-0079](#) [DK-621-0047-2PCS228](#) [DK-621-0047-2SCS228](#) [DK-621-0412CS325](#) [911225N001](#) [F33352-000](#) [187711-000](#) [201526-000](#) [477472-000](#) [491952-000](#) [D-600-0174](#) [D-621-0476-L](#) [D-711-03](#) [DK-621-0049-1P](#) [DK-621-0050-1P](#) [DK-621-0412-UP](#) [DK-621-0440-4P-CS1498](#) [514433-000](#) [614637N002](#) [645241N002](#) [734977-000](#) [DK-621-0436-2P-CS1498](#) [041809-000](#) [199653-000](#) [468675-000](#) [608041-000](#) [DK-621-0411-45S](#) [DK-621-1635-2PCS324](#) [DK-621-1636-2S](#) [DK-621-1638-3S](#) [DK-621-1640-4P](#) [149317-000](#) [DK-621-0435R-2S](#) [011689-000](#) [D-621-0412-JD](#) [DK-621-0437-3S](#) [DK-621-0435-2S](#) [143981-000](#) [156542-000](#) [210033-000](#) [361727-000](#) [438510-000](#) [477643-000](#) [491332-000](#) [118345-000](#) [633671-000](#)