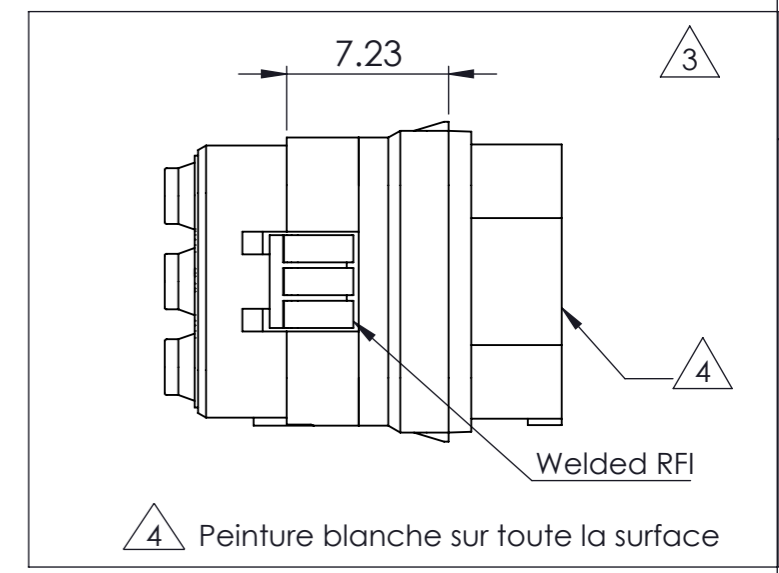
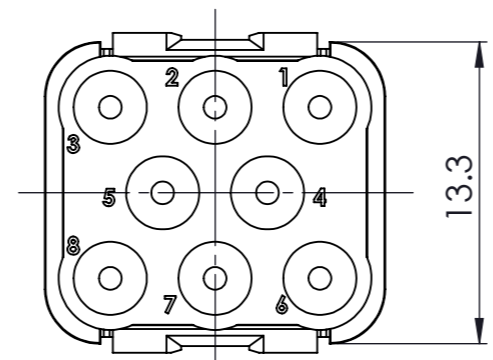
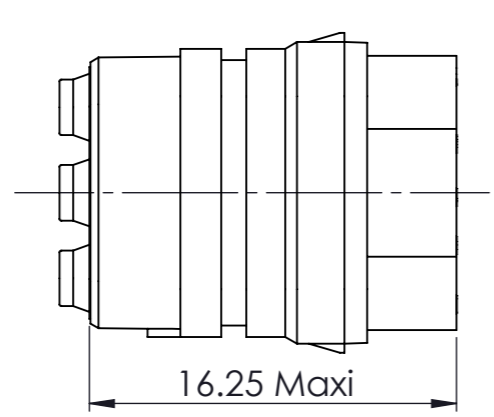
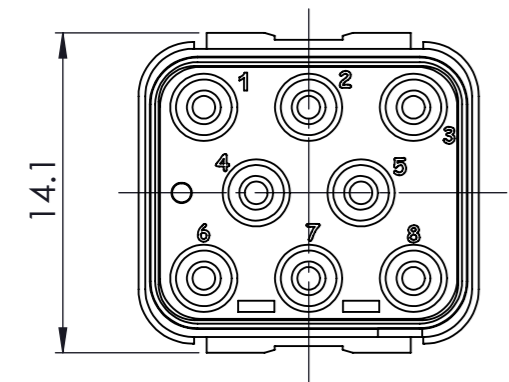


STANADARD MODULE

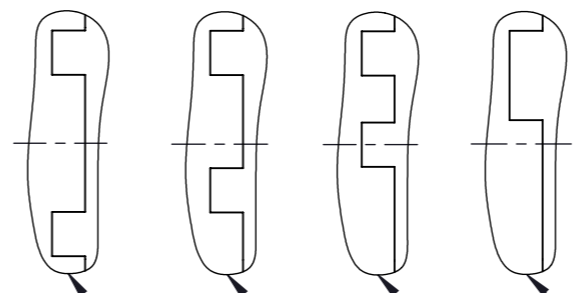
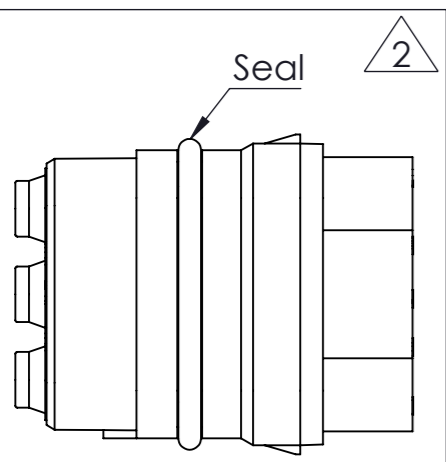
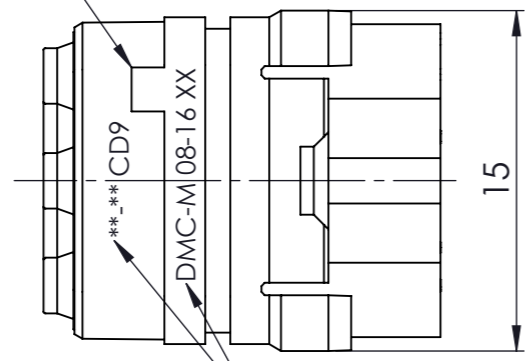
GROUNDING MODULE

CONNECTOR TYPE DMC-M
 ARRANGEMENT 08-16
 CONTACTS P = Standard Male Contact
 A = Without Male Contact
 POLARIZATION N, A, B, C, D
 SEALING (Optional) Omit - Standard (No Sealing)
 E = Sealed $\triangle 2$

CONNECTOR TYPE DMC-M
 ARRANGEMENT 08-16
 CONTACTS P = Standard Male Contact
 A = Without Male Contact
 POLARIZATION N, A, B, C, D
 GROUNDING $G \triangle 3$
 PLATING/FINISH (Optional) Aluminium Alloy
 Omit - Black Nickel
 W - Olive Drab Cadmium



Polarization N (X = N)



CHARACTERISTIQUES

TEMPERATURE D'UTILISATION : -55°C a +175°C
 MATERIAUX : Thermoplastique et silicone fluore
 TENSION DE TENUE : 1800 V eff. ; 50 Hz
 Ø SUR GAINÉ CABLES ADMISSIBLES : 1.63 a 2.77 mm
 UTILISATION CONTACTS NORMALISES : MIL C 39029/58-364
 $\triangle 1$ Marquages realises sur la face opposee aux clés

DIMENSIONS: MM		TOLERANCES UNLESS OTHERWISE SPECIFIED:	
	0 PLC	±	
	1 PLC	±	0.05
	2 PLC	±	0.05
	3 PLC	±	0.02
	4 PLC	±	
ANGLES ±°			
SURFACE TEXTURE			

DWN	LAKSHMI SUDHA R	MATERIAL	-	HEAT TREAT	-
CHK	RAKESH S	TE Connectivity			
APVD	VINCENT P				
NAME	MODULE P & A				
SCALE	3:1	SIZE	A3	DRAWING NO	DMC-M_08-16_P+
SHEET	1	OF	1	REV	A

THIS DRAWING IS A CONTROLLED DOCUMENT

THIS INFORMATION IS CONFIDENTIAL AND PROPRIETARY TO TYCO ELECTRONICS CORPORATION AND ITS WORLDWIDE SUBSIDIARIES AND AFFILIATES (TE). IT MAY NOT BE DISCLOSED TO ANYONE, OTHER THAN TE PERSONNEL, WITHOUT AUTHORIZATION FROM TE (www.TE.com).

X-ON Electronics

Largest Supplier of Electrical and Electronic Components

Click to view similar products for [Rectangular MIL Spec Connectors](#) category:

Click to view products by [TE Connectivity](#) manufacturer:

Other Similar products are found below :

[891-011-15SA2-BSST](#) [CTS-S16/16](#) [65002-062](#) [CY4602-000](#) [732-8020-01](#) [77058-22-55PN](#) [81542-20](#) [86.030.0053.0](#) [1241346-1](#) [RM252-020-311-2900](#) [DMC-M 08-16 SA](#) [1589051-4](#) [MSO34MPK1E1](#) [BACC65CAMA](#) [BACC65CP1PN](#) [BACI10BC0816PNBA](#) [HSB-D4S03DM222X](#) [2217548-1](#) [891-006-9PS-BST1T](#) [891-009-15SA2-BRT1T](#) [27963-20T12](#) [SIM2N40NC3](#) [SIM2S100A](#) [1604996-2](#) [SMD25PN90L-4055](#) [1900ND08S1B00A](#) [22628-10-6P-791](#) [33526M11-08PD](#) [RE04-212S](#) [M32139/03-G05SN](#) [CTD160E01F-6148](#) [CTJ112E03B](#) [CTJ122E02D-8000](#) [CTJ-3D-12](#) [CTJ920E06N-513](#) [CTJ920E12N-513](#) [CTL-16-090](#) [RM300-000-581-0000](#) [CY4600-000](#) [CY4601-000](#) [38111-14-15SN](#) [38112-14-15PN](#) [MMA23-0111R1](#) [MMD25-0071P1](#) [33516062020](#) [33526M11-08PE](#) [DMC-M99-01AN](#) [Y59113WE20PNV00300](#) [ZPF000000000106310](#) [105979-31](#)