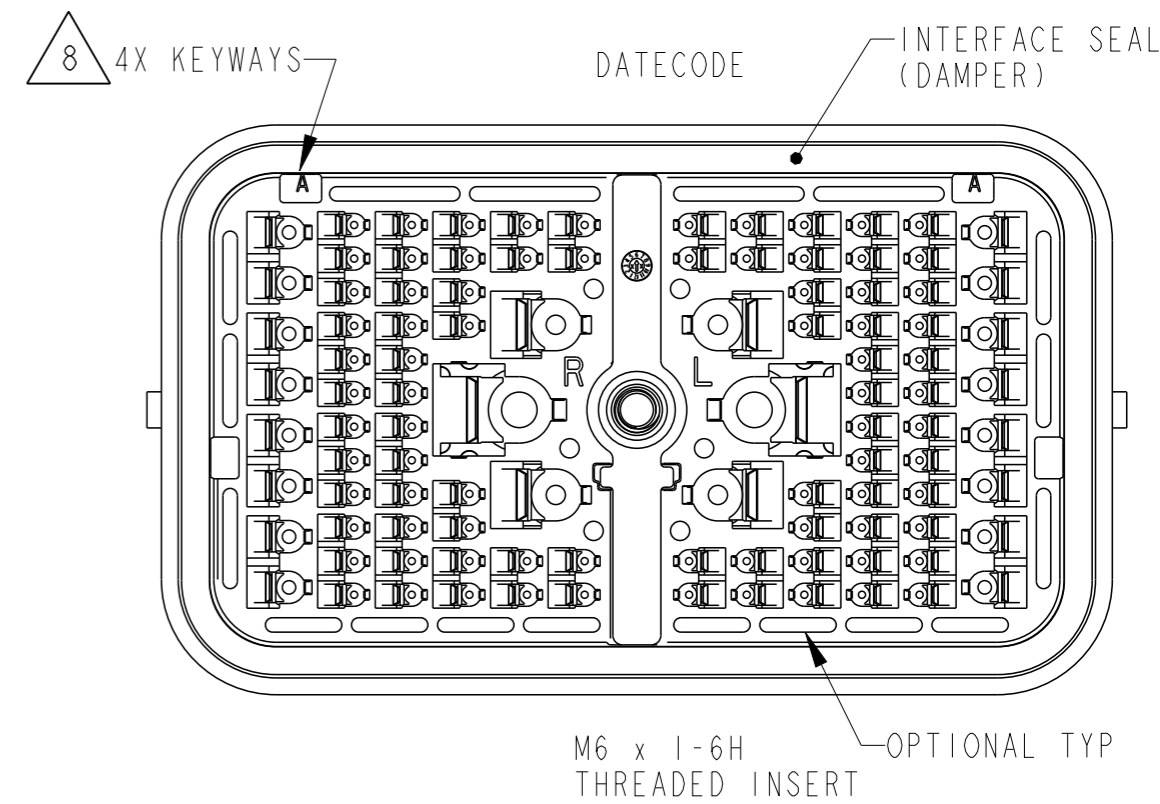
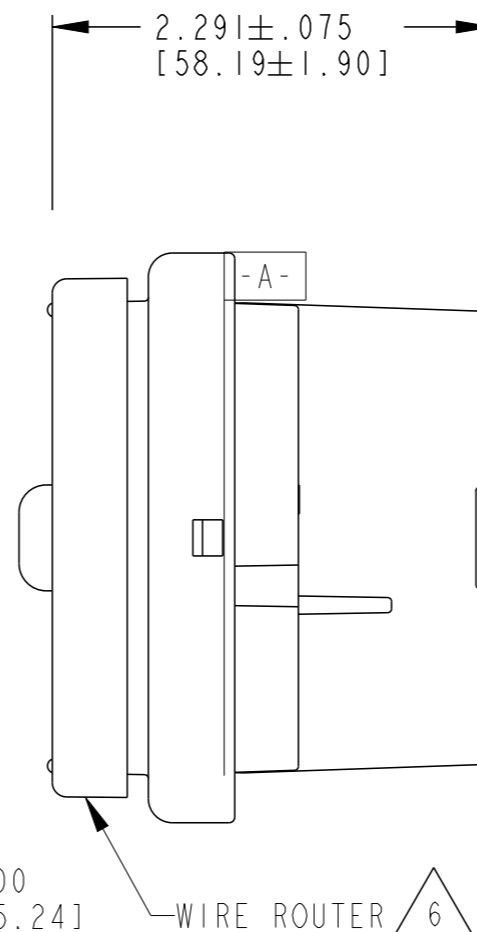
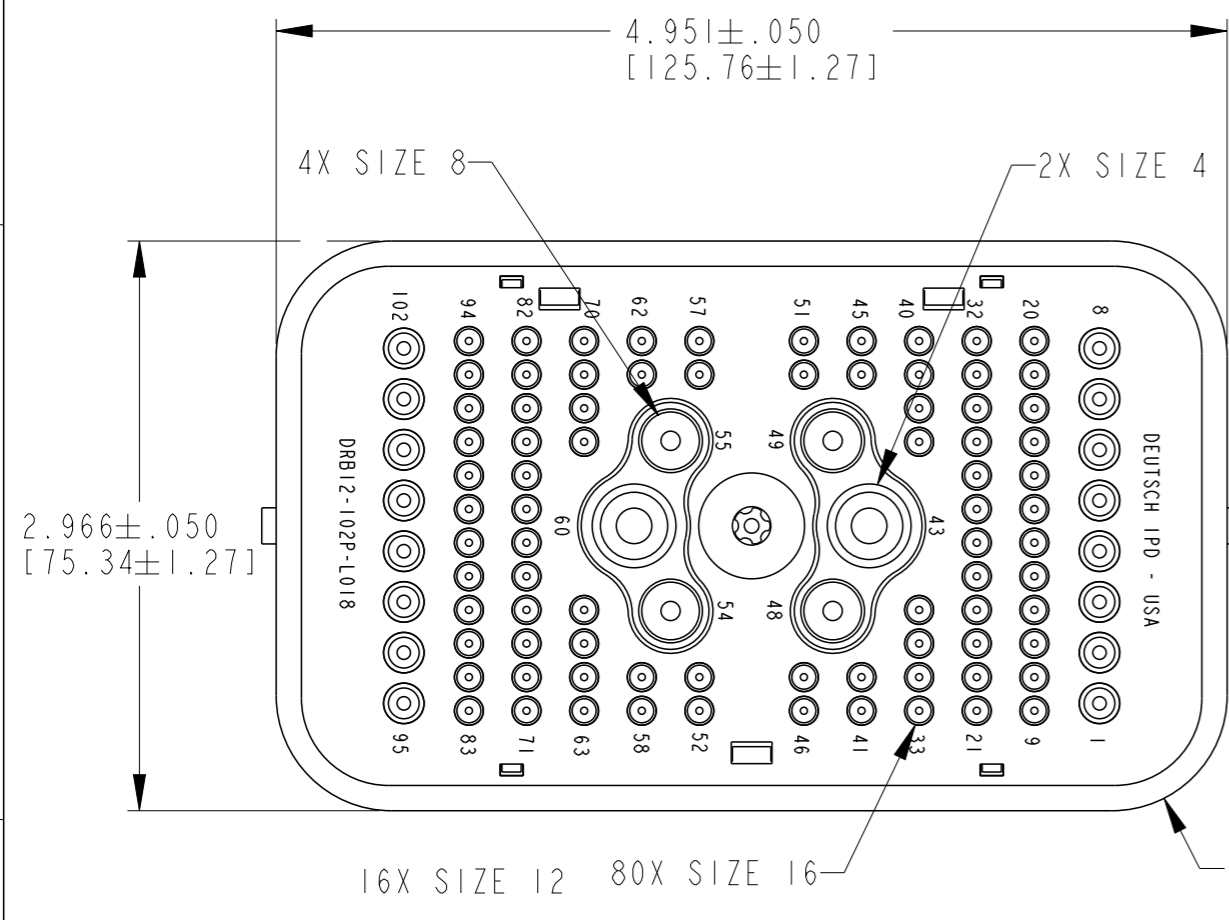


P	LTR	DESCRIPTION	DATE	DWN	APVD
A		REVISED PER E.O. P19491	3-30-07	RDR	RDR
B		REVISED PER E.O. P21364	5-7-12	RDR	RDR
C		REVISED PER E.O. P21520	12-8-12	DM	DM
CI		REVISED PER E-21-000810	20JAN2021	MR	IG



- 8 SEE SHEET 2 FOR OTHER KEY ARRANGEMENTS.
- 7 MATERIAL: RECEPTACLE: PA66 GF; SEAL/GROMMET: VMQ; THREADED INSERT: STAINLESS STEEL.
- 6 WIRE ROUTER CAP IS INCLUDED WITH RECEPTACLE (-L018).
- 5. THIS RECEPTACLE MATES WITH DRB16-102S*E-**** PLUG (*=A,B,C,D KEYS; **** = ALL MODIFICATIONS. CONSULT FACTORY FOR MODS)
- 4 FOR CONTACTS AND WIRE PERFORMANCE AND APPLICATION CHARACTERISTICS SEE INFORMATION DRAWING 0425-015-0000.
- 3. ITEMS SOLD SEPARATELY: SECONDARY LOCKS: WB-51P*R AND WB-51P*L INTERFACE FLANGE: DRBF-1*
- 2. DELETED.
- 1. DELETED.

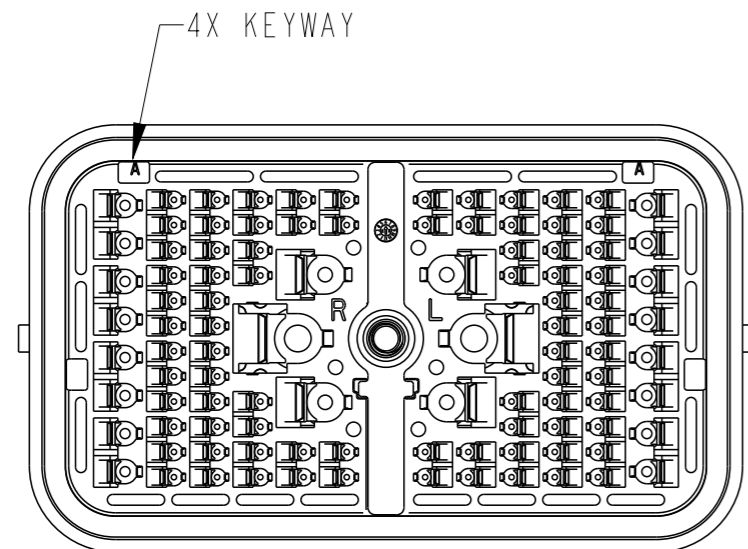
CONTACT SIZE	MIN. INSUL. O.D. [mm]	MAX. INSUL. O.D. [mm]	WIRE RANGE [mm ²] REF ONLY
4	.261 [6.629]	.292 [7.417]	6 AWG [13.0]
8	.135 [3.429]	.220 [5.588]	8-10 AWG [8.0-5.0]
12	.097 [2.464]	.158 [4.013]	12-14 AWG [3.0-2.0]
16	.053 [1.346]	.120 [3.048]	14-20 AWG [2.0-0.5]

NOTES: UNLESS OTHERWISE SPECIFIED

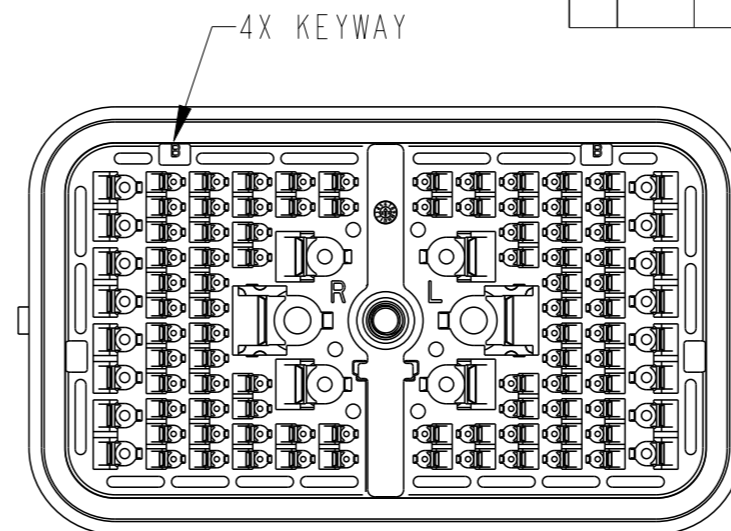
THIS DRAWING IS A CONTROLLED DOCUMENT.		DWN J. APOSTOL 13DEC2012						
DIMENSIONS: INCHES [mm]		CHK P. CARNAHAN 17DEC2012						
TOLERANCES UNLESS OTHERWISE SPECIFIED:		APVD D. MEYER 18DEC2012	NAME RECEP, 102 CONTACTS KEY: A,B,C,D E SEAL; COLOR: BLACK -L018 MOD DRB SERIES					
0 PLC ± 1 PLC ± 2 PLC ± 3 PLC ±.025 [.64] 4 PLC ± ANGLES ±30° 0' 0'' FINISH -		PRODUCT SPEC 108-151021	SIZE A3	CAGE CODE 00779	DRAWING NO C-DRB12-102PXE-L018	RESTRICTED TO -		
MATERIAL 7		APPLICATION SPEC -	WEIGHT -	CUSTOMER DRAWING; RESTRICTED CUSTOMER		SCALE 2:1	SHEET 1 OF 2	REV CI

REVISIONS

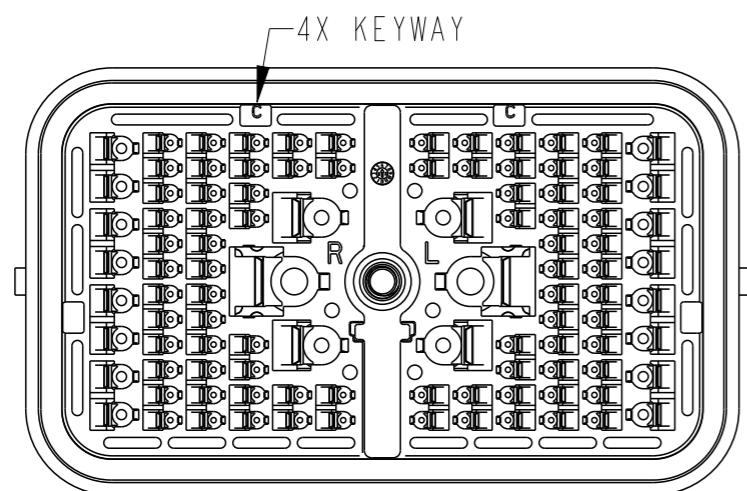
P	LTR	DESCRIPTION	DATE	DWN	APVD
-	-	SEE SHEET 1	-	-	-



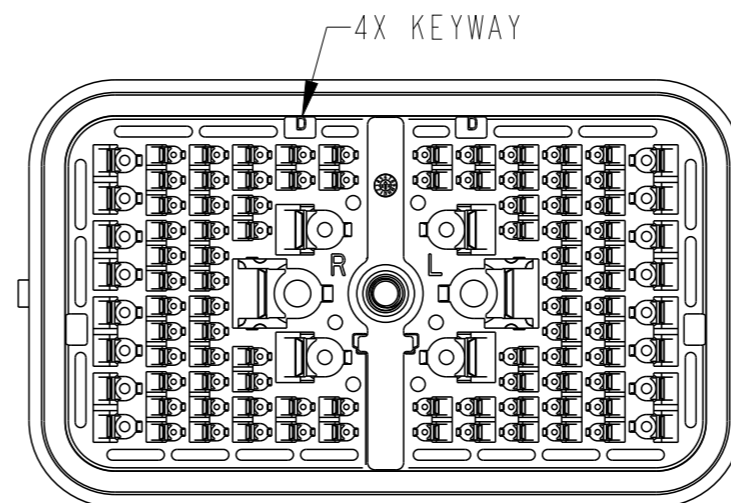
DRB12-102PAE-L018
KEY: A




DRB12-102PBE-L018
KEY: B



DRB12-102PCE-L018
KEY: C



DRB12-102PDE-L018
KEY: D

THIS DRAWING IS A CONTROLLED DOCUMENT.		DWN J. APOSTOL 13DEC2012	 TE Connectivity			
DIMENSIONS: INCHES [mm]		CHK P. CARNAHAN 17DEC2012				
TOLERANCES UNLESS OTHERWISE SPECIFIED:		APVD D. MEYER 18DEC2012	NAME RECEP, 102 CONTACTS KEY: A,B,C,D E SEAL; COLOR: BLACK -L018 MOD DRB SERIES			
0 PLC ± 1 PLC ± 2 PLC ± 3 PLC ±.025 [.64] 4 PLC ± ANGLES ±30° 0' 0'' FINISH -		PRODUCT SPEC 108-151021	SIZE A3	CAGE CODE 00779	DRAWING NO DRB12-102PXE-L018	RESTRICTED TO -
MATERIAL 7		APPLICATION SPEC -	SCALE 2:1		SHEET 2 OF 2	REV C1
CUSTOMER DRAWING; RESTRICTED CUSTOMER						

X-ON Electronics

Largest Supplier of Electrical and Electronic Components

Click to view similar products for [Automotive Connectors](#) category:

Click to view products by [TE Connectivity](#) manufacturer:

Other Similar products are found below :

[003-018-000](#) [60403001](#) [60993906-B](#) [M902-2131](#) [M902-2161](#) [72.330.1035.1](#) [73.353.4028.0](#) [F119300-B](#) [F166900](#) [F258300-B](#) [F358300-B](#)
[F407400](#) [F444110](#) [F487000](#) [F509500B-B](#) [827153-1](#) [8N1515-32-24P](#) [9-1326729-8](#) [925474-1](#) [928905-1](#) [964562-4](#) [968782-1](#) [GT17SA-8DS-](#)
[HU](#) [98891-1012](#) [98947-1016](#) [12004147](#) [12004475-L](#) [12010290](#) [12010309-B](#) [12015454](#) [12020219-B](#) [12020308](#) [12041318-B](#) [12052225-L](#)
[12052466](#) [12059125](#) [12064869](#) [12004327-B](#) [12010503-B](#) [12015308](#) [12015384](#) [12015909](#) [1-21030-1](#) [12041254](#) [12041318](#) [12047946-B](#)
[12047957](#) [12047957-L](#) [12059473](#) [12066261](#)